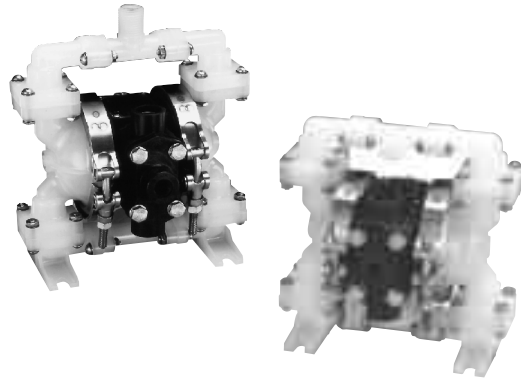


Quality System
ISO9001 Certified

Environmental
Management System
ISO14001 Certified



BALL VALVE PB^{1/4}-A Type 3

Air-Powered Double-Diaphragm Plastic Pump

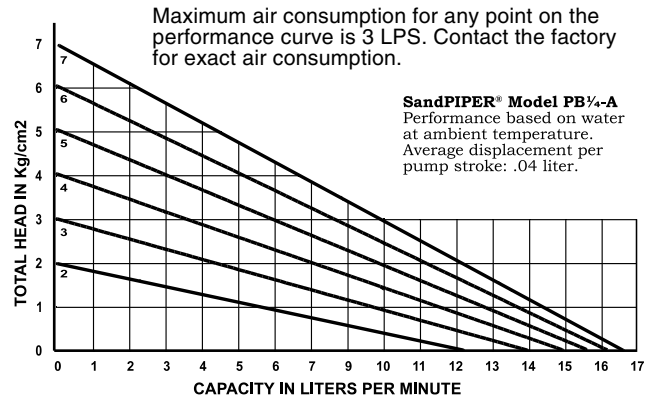
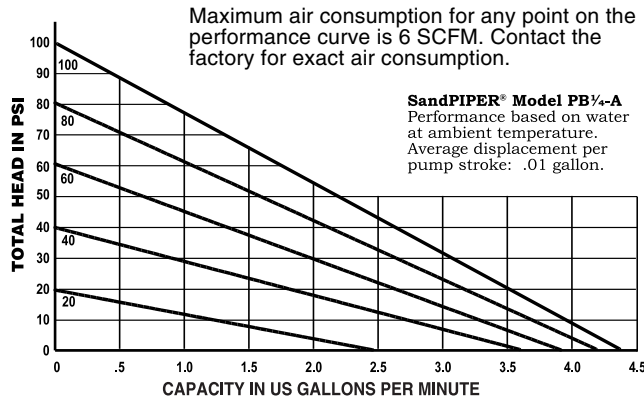
ENGINEERING, PERFORMANCE
& CONSTRUCTION DATA



INTAKE/DISCHARGE SIZE	ADJUSTABLE FLOW	AIR VALVE	SOLIDS HANDLING	MAXIMUM SUCTION LIFT	MAXIMUM VISCOSITY	HEADS UP TO
1/4" (6mm) NPT (Internal) 1/2" (13mm) NPT (External)	0 to 4 gallons per minute (0 to 15 liters per minute)	No-lube, no-stall design.	Up to 1/32" (1 mm)	Dry 5.83 ft. (1.78m.) Wet 25.5 ft. (7.77m.)	10,000 SSU 2200 CPS	100 psi or 230 ft. of water (7 Kg/cm ² or 70 meters)

PERFORMANCE CURVES

(SandPIPER® pumps are designed to be powered **only** by compressed air)



MATERIALS OF CONSTRUCTION

PB ^{1/4} -A	Manifold	Outer Chamber	Outer Diaphragm Plate	Inner Diaphragm Plate	Intermediate Housing	Diaphragm Rod	Hardware	Valve Seat	Diaphragm	Ball Valve Material	Air Valve	Cap	Options	Shipping Weight (lbs)
TS-3-PP	PP	PP	PP	2011-AL	PP*	416SS	301/302SS	PP	S	S	PP*	PP*	-	4
TU-3-PP	PP	PP	PP	2011-AL	PP*	416SS	301/302SS	PP	S	T	PP*	PP*	-	4
TT-3-PP	PP	PP	PP	2011-AL	PP*	416SS	301/302SS	PP	T	T	PP*	PP*	-	4
TS-3-K	K	K	K	2011-AL	PP*	416SS	301/302SS	K	S	S	PP*	PP*	-	5
TU-3-K	K	K	K	2011-AL	PP*	416SS	301/302SS	K	S	T	PP*	PP*	-	5
TT-3-K	K	K	K	2011-AL	PP*	416SS	301/302SS	K	T	T	PP*	PP*	-	5
TS-3-CA	CA	CA	CA	2011-AL	CA*	416SS	301/302SS	AC	S	S	CA*	CA*	-	4
TU-3-CA	CA	CA	CA	2011-AL	CA*	416SS	301/302SS	AC	S	T	CA*	CA*	-	4
TT-3-CA	CA	CA	CA	2011-AL	CA*	416SS	301/302SS	AC	T	T	CA*	CA*	-	4
TS-3-PP-E0	PP	PP	PP	2011-AL	PP	416SS	301/302SS	PP	S	S	E	PP*	0	4
TS-3-PP-E1	PP	PP	PP	2011-AL	PP	416SS	301/302SS	PP	S	S	E	PP*	1	4
TS-3-PP-E2	PP	PP	PP	2011-AL	PP	416SS	301/302SS	PP	S	S	E	PP*	2	4
TS-3-PP-E3	PP	PP	PP	2011-AL	PP	416SS	301/302SS	PP	S	S	E	PP*	3	4
TS-3-PP-E4	PP	PP	PP	2011-AL	PP	416SS	301/302SS	PP	S	S	E	PP*	4	4
TS-3-PP-E5	PP	PP	PP	2011-AL	PP	416SS	301/302SS	PP	S	S	E	PP*	5	4
TS-3-PP-E6	PP	PP	PP	2011-AL	PP	416SS	301/302SS	PP	S	S	E	PP*	6	4
TS-3-PP-E7	PP	PP	PP	2011-AL	PP	416SS	301/302SS	PP	S	S	E	PP*	7	4

Horizontal suction and vertical discharge are standard. All combinations of suction and discharge are available

Meanings of Abbreviations:

AC = Acetal
AL = Aluminum
CA = Conductive Acetal
K = PVDF
PP = Polypropylene
SS = Stainless Steel
T = Virgin PTFE
S = Santoprene®
E = Electric Solenoid Shifted

OPTIONS

0= Solenoid Kit with 24VDC Coil
1= Solenoid Kit with 24VDC Explosion Proof Coil
2= Solenoid Kit with 24VAC/12VDC Coil
3= Solenoid Kit with 24VAC/12VDC Explosion Proof Coil

4= Solenoid Kit with 110VAC Coil
5= Solenoid Kit with 110VAC Explosion Proof Coil
6= Solenoid Kit with 220VAC Coil
7= Solenoid Kit with 220VAC Explosion Proof Coil

*Designates Glass Filled

©Santoprene is a registered tradename of Monsanto Corp.
©SandPIPER and Warren Rupp are registered tradenames of Warren Rupp, Inc.

PB^{1/4}-A BALL VALVE SandPIPER[®]

MATERIALS	Operating Temperatures		
	Maximum*	Minimum*	Optimum**
CONDUCTIVE ACETAL	180°F 82°C	-20°F -28°C	
POLYPROPYLENE	150°F 66°C	40°F 4°C	
PVDF	200°F 93°C	10°F -13°C	
SANTOPRENE [®] Injection molded thermoplastic elastomer with no fabric layer. Long mechanical flex life. Excellent abrasion resistance.	212°F+ 100°C+	-10°F -23°C	Insufficient data available
VIRGIN PTFE Chemically inert, virtually impervious. Very few chemicals are known to chemically react with PTFE: molten alkali metals, turbulent liquid or gaseous fluorine and a few fluoro-chemicals such as chlorine trifluoride or oxygen difluoride which readily liberate free fluorine at elevated temperatures.	212°F+ 100°C+	-35°F -37°C	50° F to 212°F 10°C to 100°C

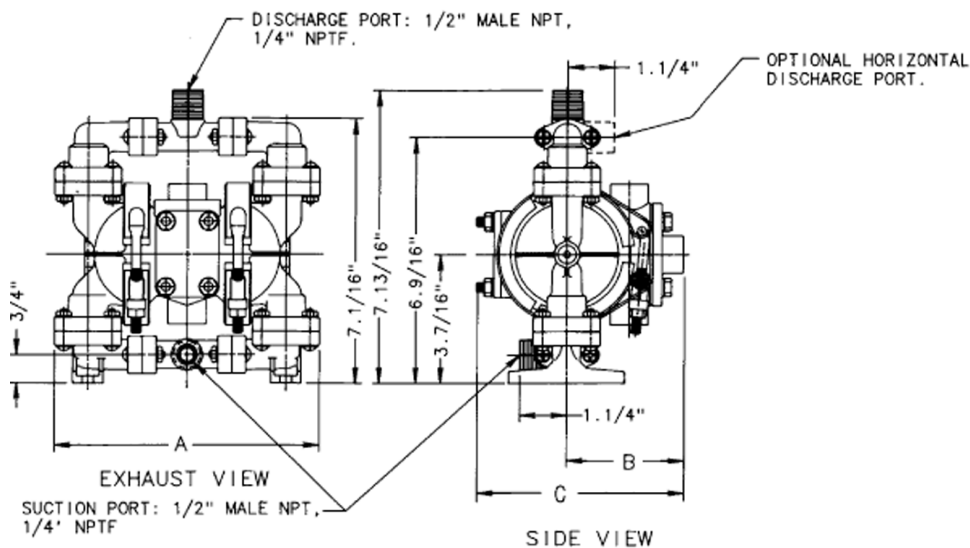
For specific applications, always consult "Chemical Resistance Chart" Technical Bulletin.

*Definite reduction in service life.

**Minimal reduction in service life at ends of range.

Dimensions are ± 1/8"
Figures in parenthesis = millimeters

Dimension	A	B	C
Standard Pump	7" (178)	3.1/8" (79)	5.1/2" (140)
Pulse Output Kit	9" (229)	3.9/16" (90)	5.15/16" (151)



SERVICE AND ACCESSORY KITS

031-107-000	Main Air Valve Body Assembly
031-107-503	Main Air Valve Body Assembly (Conductive Acetal only)
031-101-000	Pilot Valve Assembly
475-145-000	Air Exhaust Conversion Kit
475-154-000	Air Exhaust Conversion Kit (Conductive Acetal only)
475-149-520	Pail Transfer Kit in PVDF
475-149-552	Pail Transfer Kit in Polypropylene
476-117-354	Wetted End Kit Santoprene [®] Diaphragms & Balls
476-117-600	Wetted End Kit PTFE Diaphragms & Balls
476-117-644	Wetted End Kit Santoprene [®] Diaphragms & PTFE Balls
476-129-000	Air End Kit

1/4" NPT(F) AND 1/2" NPT(M) SUCTION AND DISCHARGE • 1/4" NPT(F) AIR INLET PORT

Copyright ©2001 Warren Rupp, Inc. All rights reserved.

Specifications are subject to improvement without notice.

©SandPIPER is a registered trademark of Warren Rupp, Inc.