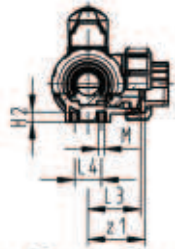
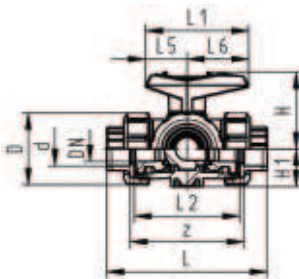
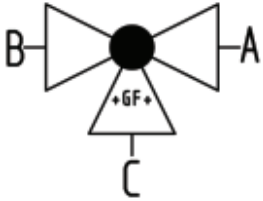


PVC-U metric

Ball valves

3-Way ball valve type 543 PVC-U Horizontal/L-port With solvent cement sockets metric



Model:

- For easy installation and removal (valve end and union nut are compatible with type 546)
- Ball seals PTFE
- Pneumatic or electric actuator available separately
- Angle of operation 360° without turn limiter
- Turn limiter 90° enclosed, in different positions usable as a clip-on ring
- Integrated stainless steel mounting inserts
- Delivery status A-C opened, see flow scheme

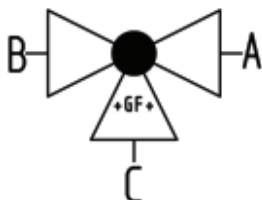
d [mm]	DN [mm]	PN	kv-value (Δp=1 bar) [l/min]	EPDM Code	FPM Code
16	10	10	50	161 543 001	161 543 011
20	15	10	75	161 543 002	161 543 012
25	20	10	150	161 543 003	161 543 013
32	25	10	280	161 543 004	161 543 014
40	32	10	480	161 543 005	161 543 015
50	40	10	620	161 543 006	161 543 016
63	50	10	1230	161 543 007	161 543 017

d [mm]	D [mm]	L [mm]	L1 [mm]	L2 [mm]	L3 [mm]	L4 [mm]	L5 [mm]	L6 [mm]	H [mm]	H1 [mm]	H2 [mm]	M	z [mm]	z1 [mm]	closest inch
16	50	109	77	73	36	25	32	45	57	28	8	6	81	40	3/8
20	50	112	77	73	36	25	32	45	57	28	8	6	81	40	1/2
25	58	131	97	86	43	25	39	58	67	32	8	6	94	47	3/4
32	68	151	97	99	50	25	39	58	73	36	8	6	107	54	1
40	84	181	128	120	60	45	54	74	90	45	9	8	130	65	1 1/4
50	97	205	128	137	69	45	54	74	97	51	9	8	143	72	1 1/2
63	124	261	152	179	89	45	66	87	116	65	9	8	185	92	2

PVC-U metric



3-Way ball valve type 543 PVC-U Horizontal/L-port With threaded sockets Rp

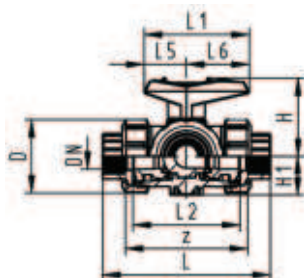


Model:

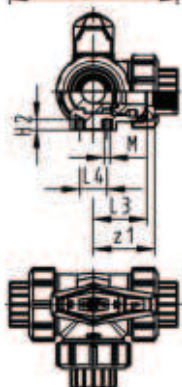
- For easy installation and removal (valve end and union nut are compatible with type 546)
- Ball seals PTFE
- Pneumatic or electric actuator available separately
- Angle of operation 360° without turn limiter
- Turn limiter 90° enclosed, in different positions usable as a clip-on ring
- Integrated stainless steel mounting inserts
- Delivery status A-C opened, see flow scheme



Rp [inch]	DN [mm]	PN	kv-value ($\Delta p=1$ bar) [l/min]	EPDM Code	FPM Code
3/8	10	10	50	161 543 041	161 543 051
1/2	15	10	75	161 543 042	161 543 052
3/4	20	10	150	161 543 043	161 543 053
1	25	10	280	161 543 044	161 543 054
1 1/4	32	10	480	161 543 045	161 543 055
1 1/2	40	10	620	161 543 046	161 543 056
2	50	10	1230	161 543 047	161 543 057

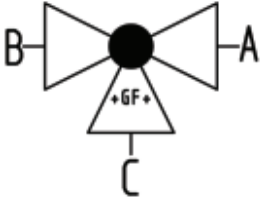


Rp [inch]	D [mm]	L [mm]	L1 [mm]	L2 [mm]	L3 [mm]	L4 [mm]	L5 [mm]	L6 [mm]	H [mm]	H1 [mm]	H2 [mm]	M	z [mm]	z1 [mm]
3/8	50	113	77	73	36	25	32	45	57	28	8	6	87	43
1/2	50	117	77	73	36	25	32	45	57	28	8	6	85	42
3/4	58	135	97	86	43	25	39	58	67	32	8	6	100	50
1	68	155	97	99	50	25	39	58	73	36	8	6	113	57
1 1/4	84	179	128	120	60	45	54	74	90	45	9	8	134	67
1 1/2	97	201	128	137	69	45	54	74	97	51	9	8	155	78
2	124	255	152	179	89	45	66	87	116	65	9	8	199	99



PVC-U metric

3-Way ball valve type 543 PVC-U Horizontal/L-port With solvent cement spigots metric

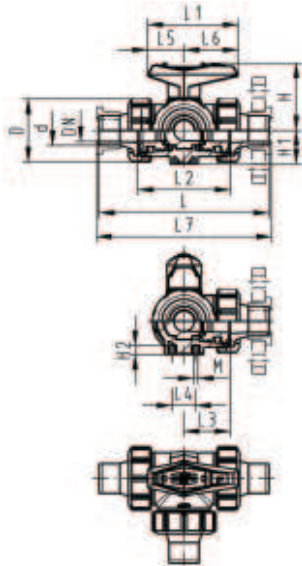


Model:

- For easy installation and removal (valve end and union nut are compatible with type 546)
- Ball seals PTFE
- Pneumatic or electric actuator available separately
- Angle of operation 360° without turn limiter
- Turn limiter 90° enclosed, in different positions usable as a clip-on ring
- Integrated stainless steel mounting inserts
- Delivery status A-C opened, see flow scheme



d [mm]	DN [mm]	PN	kv-value ($\Delta p=1$ bar) [l/min]	EPDM Code	FPM Code
16	10	10	50	161 543 021	161 543 031
20	15	10	75	161 543 022	161 543 032
25	20	10	150	161 543 023	161 543 033
32	25	10	280	161 543 024	161 543 034
40	32	10	480	161 543 025	161 543 035
50	40	10	620	161 543 026	161 543 036
63	50	10	1230	161 543 027	161 543 037

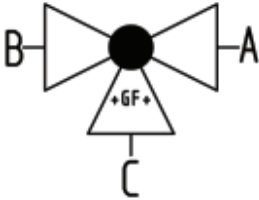


d [mm]	D [mm]	L [mm]	L1 [mm]	L2 [mm]	L3 [mm]	L4 [mm]	L5 [mm]	L6 [mm]	L7 [mm]	H [mm]	H1 [mm]	H2 [mm]	M	closest inch
16	50	131	77	73	36	25	32	45	137	57	28	8	6	3/8
20	50	141	77	73	36	25	32	45	147	57	28	8	6	1/2
25	58	165	97	86	43	25	39	58	171	67	32	8	6	3/4
32	68	182	97	99	50	25	39	58	188	73	36	8	6	1
40	84	209	128	120	60	45	54	74	215	90	45	9	8	1 1/4
50	97	242	128	137	69	45	54	74	248	97	51	9	8	1 1/2
63	124	302	152	179	89	45	66	87	308	116	65	9	8	2

PVC-U metric



3-Way ball valve type 543 PVC-U Horizontal/L-port With butt fusion spigots long PE100 SDR11 metric

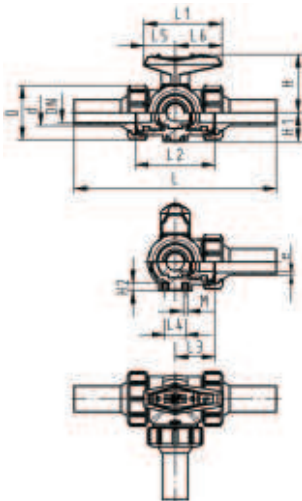


Model:

- For easy installation and removal (valve end and union nut are compatible with type 546)
- Ball seals PTFE
- Pneumatic or electric actuator available separately
- Angle of operation 360° without turn limiter
- Turn limiter 90° enclosed, in different positions usable as a clip-on ring
- Integrated stainless steel mounting inserts
- Delivery status A-C opened, see flow scheme



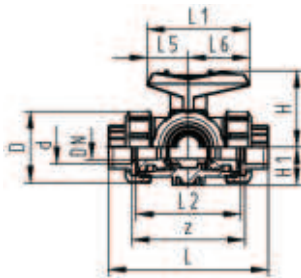
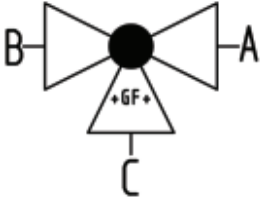
d [mm]	DN [mm]	PN	kv-value (Δp=1 bar) [l/min]	EPDM Code	FPM Code
20	15	10	75	161 543 462	161 543 472
25	20	10	150	161 543 463	161 543 473
32	25	10	280	161 543 464	161 543 474
40	32	10	480	161 543 465	161 543 475
50	40	10	620	161 543 466	161 543 476
63	50	10	1230	161 543 467	161 543 477



d [mm]	D [mm]	L [mm]	L1 [mm]	L2 [mm]	L3 [mm]	L4 [mm]	L5 [mm]	L6 [mm]	H [mm]	H1 [mm]	H2 [mm]	M	e [mm]	closest inch
20	50	210	77	73	36	25	32	45	57	28	8	6	2.3	1/2
25	58	237	97	86	43	25	39	58	67	32	8	6	2.3	3/4
32	68	251	97	99	50	25	39	58	73	36	8	6	3.0	1
40	84	283	128	120	60	45	54	74	90	45	9	8	3.7	1 1/4
50	97	319	128	137	69	45	54	74	97	51	9	8	4.6	1 1/2
63	124	399	152	179	89	45	66	87	116	65	9	8	5.8	2

PVC-U metric

3-Way ball valve type 543 PVC-U Horizontal/T-port With solvent cement sockets metric



Model:

- For easy installation and removal (valve end and union nut are compatible with type 546)
- Ball seals PTFE
- Pneumatic or electric actuator available separately
- Angle of operation 360° without turn limiter
- Turn limiter 90° enclosed, in different positions usable as a clip-on ring
- Integrated stainless steel mounting inserts
- Delivery status A-B-C opened, see flow scheme

d [mm]	DN [mm]	PN	kv-value ($\Delta p=1$ bar) [l/min]	EPDM Code	FPM Code
16	10	10	140	161 543 201	161 543 211
20	15	10	200	161 543 202	161 543 212
25	20	10	470	161 543 203	161 543 213
32	25	10	793	161 543 204	161 543 214
40	32	10	1290	161 543 205	161 543 215
50	40	10	1910	161 543 206	161 543 216
63	50	10	3100	161 543 207	161 543 217

d [mm]	D [mm]	L [mm]	L1 [mm]	L2 [mm]	L3 [mm]	L4 [mm]	L5 [mm]	L6 [mm]	H [mm]	H1 [mm]	H2 [mm]	M	z [mm]	z1 [mm]	closest inch
16	50	109	77	73	36	25	32	45	57	28	8	6	81	40	3/8
20	50	112	77	73	36	25	32	45	57	28	8	6	81	40	1/2
25	58	131	97	86	43	25	39	58	67	32	8	6	94	47	3/4
32	68	151	97	99	50	25	39	58	73	36	8	6	107	54	1
40	84	181	128	120	60	45	54	74	90	45	9	8	130	65	1 1/4
50	97	205	128	137	69	45	54	74	97	51	9	8	143	72	1 1/2
63	124	261	152	179	89	45	66	87	116	65	9	8	185	92	2

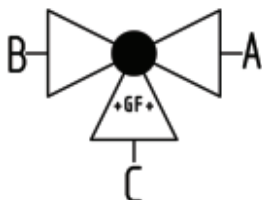
PVC-U metric



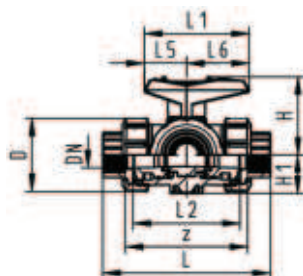
3-Way ball valve type 543 PVC-U Horizontal/T-port With threaded sockets Rp

Model:

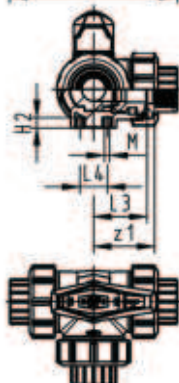
- For easy installation and removal (valve end and union nut are compatible with type 546)
- Ball seals PTFE
- Pneumatic or electric actuator available separately
- Angle of operation 360° without turn limiter
- Turn limiter 90° enclosed, in different positions usable as a clip-on ring
- Integrated stainless steel mounting inserts
- Delivery status A-B-C opened, see flow scheme



Rp [inch]	DN [mm]	PN	kv-value ($\Delta p=1$ bar) [l/min]	EPDM Code	FPM Code
3/8	10	10	140	161 543 241	161 543 251
1/2	15	10	200	161 543 242	161 543 252
3/4	20	10	470	161 543 243	161 543 253
1	25	10	793	161 543 244	161 543 254
1 1/4	32	10	1290	161 543 245	161 543 255
1 1/2	40	10	1910	161 543 246	161 543 256
2	50	10	3100	161 543 247	161 543 257

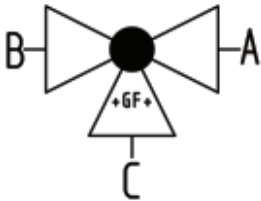


Rp [inch]	D [mm]	L [mm]	L1 [mm]	L2 [mm]	L3 [mm]	L4 [mm]	L5 [mm]	L6 [mm]	H [mm]	H1 [mm]	H2 [mm]	M	z [mm]	z1 [mm]
3/8	50	113	77	73	36	25	32	45	57	28	8	6	87	43
1/2	50	117	77	73	36	25	32	45	57	28	8	6	85	42
3/4	58	135	97	86	43	25	39	58	67	32	8	6	100	50
1	68	155	97	99	50	25	39	58	73	36	8	6	113	57
1 1/4	84	179	128	120	60	45	54	74	90	45	9	8	134	67
1 1/2	97	201	128	137	69	45	54	74	97	51	9	8	155	78
2	124	255	152	179	89	45	66	87	116	65	9	8	199	99



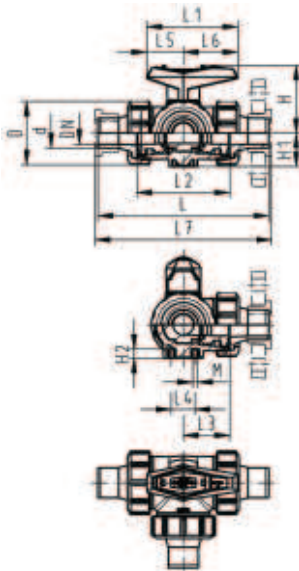
PVC-U metric

3-Way ball valve type 543 PVC-U Horizontal/T-port With solvent cement spigots metric



Model:

- For easy installation and removal (valve end and union nut are compatible with type 546)
- Ball seals PTFE
- Pneumatic or electric actuator available separately
- Angle of operation 360° without turn limiter
- Turn limiter 90° enclosed, in different positions usable as a clip-on ring
- Integrated stainless steel mounting inserts
- Delivery status A-B-C opened, see flow scheme



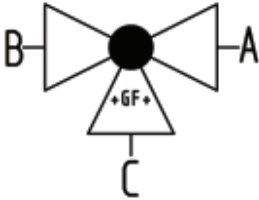
d [mm]	DN [mm]	PN	kv-value ($\Delta p=1$ bar) [l/min]	EPDM Code	FPM Code
16	10	10	140	161 543 221	161 543 231
20	15	10	200	161 543 222	161 543 232
25	20	10	470	161 543 223	161 543 233
32	25	10	793	161 543 224	161 543 234
40	32	10	1290	161 543 225	161 543 235
50	40	10	1910	161 543 226	161 543 236
63	50	10	3100	161 543 227	161 543 237

d [mm]	D [mm]	L [mm]	L1 [mm]	L2 [mm]	L3 [mm]	L4 [mm]	L5 [mm]	L6 [mm]	L7 [mm]	H [mm]	H1 [mm]	H2 [mm]	M	closest inch
16	50	131	77	73	36	25	32	45	137	57	28	8	6	3/8
20	50	141	77	73	36	25	32	45	147	57	28	8	6	1/2
25	58	165	97	86	43	25	39	58	171	67	32	8	6	3/4
32	68	182	97	99	50	25	39	58	188	73	36	8	6	1
40	84	209	128	120	60	45	54	74	215	90	45	9	8	1 1/4
50	97	242	128	137	69	45	54	74	248	97	51	9	8	1 1/2
63	124	302	152	179	89	45	66	87	308	116	65	9	8	2

PVC-U metric

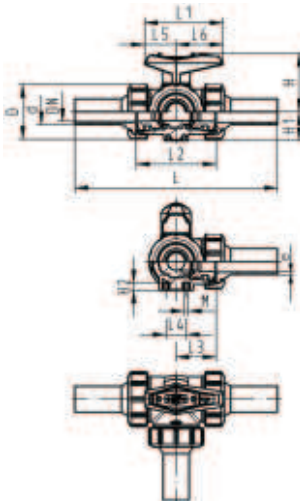


3-Way ball valve type 543 PVC-U Horizontal/T-port With butt fusion spigots long PE100 SDR11 metric



Model:

- For easy installation and removal (valve end and union nut are compatible with type 546)
- Ball seals PTFE
- Pneumatic or electric actuator available separately
- Angle of operation 360° without turn limiter
- Turn limiter 90° enclosed, in different positions usable as a clip-on ring
- Integrated stainless steel mounting inserts
- Delivery status A-B-C opened, see flow scheme

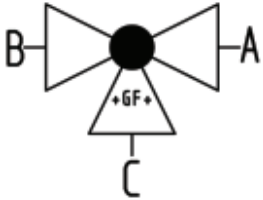


d [mm]	DN [mm]	PN	kv-value (Δp=1 bar) [l/min]	EPDM Code	FPM Code
20	15	10	200	161 543 482	161 543 492
25	20	10	470	161 543 483	161 543 493
32	25	10	793	161 543 484	161 543 494
40	32	10	1290	161 543 485	161 543 495
50	40	10	1910	161 543 486	161 543 496
63	50	10	3100	161 543 487	161 543 497

d [mm]	D [mm]	L [mm]	L1 [mm]	L2 [mm]	L3 [mm]	L4 [mm]	L5 [mm]	L6 [mm]	H [mm]	H1 [mm]	H2 [mm]	M	e [mm]	closest inch
20	50	210	77	73	36	25	32	45	57	28	8	6	2.3	1/2
25	58	237	97	86	43	25	39	58	67	32	8	6	2.3	3/4
32	68	251	97	99	50	25	39	58	73	36	8	6	3.0	1
40	84	283	128	120	60	45	54	74	90	45	9	8	3.7	1 1/4
50	97	319	128	137	69	45	54	74	97	51	9	8	4.6	1 1/2
63	124	399	152	179	89	45	66	87	116	65	9	8	5.8	2

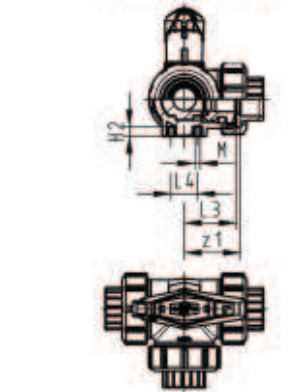
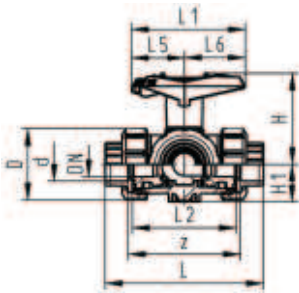
PVC-U metric

3-Way ball valve type 543 PVC-U Horizontal/L-port With lockable handle With solvent cement sockets metric



Model:

- For easy installation and removal (valve end and union nut are compatible with type 546)
- Ball seals PTFE
- Pneumatic or electric actuator available separately
- Angle of operation 360° without turn limiter
- Turn limiter 90° enclosed, in different positions usable as a clip-on ring
- Integrated stainless steel mounting inserts
- Multifunctional lever red with ratched setting 45°, lockable
- Delivery status A-C opened, see flow scheme



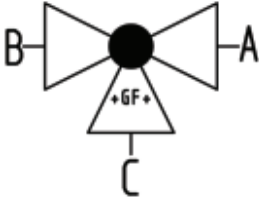
d [mm]	DN [mm]	PN	kv-value (Δp=1 bar) [l/min]	EPDM Code	FPM Code
16	10	10	50	161 543 161	161 543 171
20	15	10	75	161 543 162	161 543 172
25	20	10	150	161 543 163	161 543 173
32	25	10	280	161 543 164	161 543 174
40	32	10	480	161 543 165	161 543 175
50	40	10	620	161 543 166	161 543 176
63	50	10	1230	161 543 167	161 543 177

d [mm]	D [mm]	L [mm]	L1 [mm]	L2 [mm]	L3 [mm]	L4 [mm]	L5 [mm]	L6 [mm]	H [mm]	H1 [mm]	H2 [mm]	M [mm]	z [mm]	z1 [mm]	closest inch
16	50	109	87	73	36	25	42	45	79	28	8	6	81	40	3/8
20	50	112	87	73	36	25	42	45	79	28	8	6	81	40	1/2
25	58	131	108	86	43	25	50	58	88	32	8	6	94	47	3/4
32	68	151	108	99	50	25	50	58	94	36	8	6	107	54	1
40	84	181	141	120	60	45	66	75	113	45	9	8	130	65	1 1/4
50	97	205	141	137	69	45	66	75	119	51	9	8	143	72	1 1/2
63	124	261	165	179	89	45	78	87	141	65	9	8	185	92	2

PVC-U metric

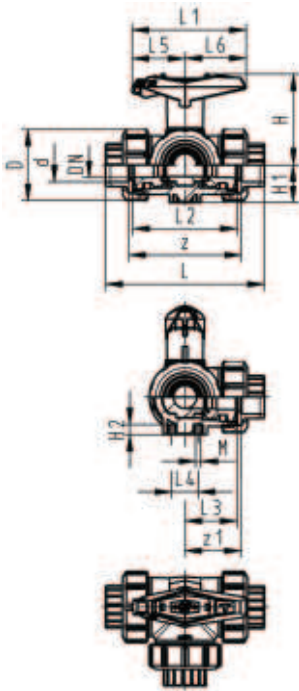


3-Way ball valve type 543 PVC-U Horizontal/T-port With lockable handle With solvent cement sockets metric



Model:

- For easy installation and removal (valve end and union nut are compatible with type 546)
- Ball seals PTFE
- Pneumatic or electric actuator available separately
- Angle of operation 360° without turn limiter
- Turn limiter 90° enclosed, in different positions usable as a clip-on ring
- Integrated stainless steel mounting inserts
- Multifunctional lever red with ratched setting 45°, lockable
- Delivery status A-B-C opened, see flow scheme

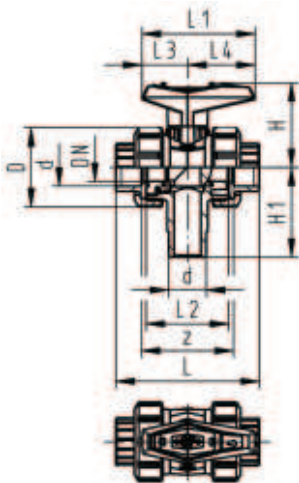
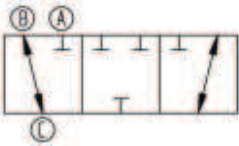
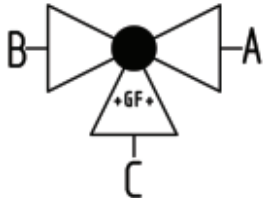


d [mm]	DN [mm]	PN	kv-value (Δp=1 bar) [l/min]	EPDM Code	FPM Code
16	10	10	140	161 543 361	161 543 371
20	15	10	200	161 543 362	161 543 372
25	20	10	470	161 543 363	161 543 373
32	25	10	793	161 543 364	161 543 374
40	32	10	1290	161 543 365	161 543 375
50	40	10	1910	161 543 366	161 543 376
63	50	10	3100	161 543 367	161 543 377

d [mm]	D [mm]	L [mm]	L1 [mm]	L2 [mm]	L3 [mm]	L4 [mm]	L5 [mm]	L6 [mm]	H [mm]	H1 [mm]	H2 [mm]	M	z [mm]	z1 [mm]	closest inch
16	50	109	87	73	36	25	42	45	79	28	8	6	81	40	3/8
20	50	112	87	73	36	25	42	45	79	28	8	6	81	40	1/2
25	58	131	108	86	43	25	50	58	88	32	8	6	94	47	3/4
32	68	151	108	99	50	25	50	58	94	36	8	6	107	54	1
40	84	181	141	120	60	45	66	75	113	45	9	8	130	65	1 1/4
50	97	205	141	137	69	45	66	75	119	51	9	8	143	72	1 1/2
63	124	261	165	179	89	45	78	87	141	65	9	8	185	92	2

PVC-U metric

3-Way ball valve type 543 PVC-U Vertical/L-port With solvent cement sockets metric



Model:

- Vertical inlet solvent cement spigot metric
- Easy installation and removal using union on third outlet
- Ball seals PTFE
- Electric actuator available separately
- Angle of operation 360° without turn limiter
- Delivery status B-C opened, see flow scheme

Mode of action:

- For interconnection of two inputs

d [mm]	DN [mm]	PN	kv-value ($\Delta p=1$ bar) [l/min]	EPDM Code	FPM Code
16	10	10	49	161 543 401	161 543 411
20	15	10	77	161 543 402	161 543 412
25	20	10	146	161 543 403	161 543 413
32	25	10	260	161 543 404	161 543 414
40	32	10	437	161 543 405	161 543 415
50	40	10	667	161 543 406	161 543 416
63	50	10	1293	161 543 407	161 543 417

d [mm]	D [mm]	L [mm]	L1 [mm]	L2 [mm]	L3 [mm]	L4 [mm]	H [mm]	H1 [mm]	z [mm]	closest inch
16	50	92	77	56	32	45	57	62	64	$\frac{3}{8}$
20	50	95	77	56	32	45	57	62	64	$\frac{1}{2}$
25	58	111	97	66	39	58	67	72	74	$\frac{3}{4}$
32	68	123	97	71	39	58	73	77	79	1
40	84	146	128	85	54	74	90	87	95	1 $\frac{1}{4}$
50	97	157	128	89	54	74	97	97	95	1 $\frac{1}{2}$
63	124	183	152	101	66	87	116	112	107	2

PVC-U metric

3-Way ball valve type 543 PVC-U Vertical/L-port With threaded sockets Rp

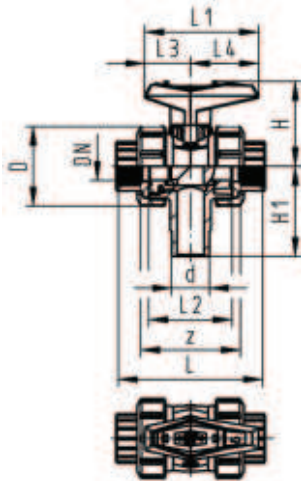
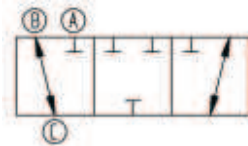
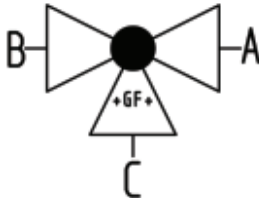


Model:

- Vertical inlet solvent cement spigot metric
- Easy installation and removal using union on third outlet
- Ball seals PTFE
- Electric actuator available separately
- Angle of operation 360° without turn limiter
- Delivery status B-C opened, see flow scheme

Mode of action:

- For interconnection of two inputs

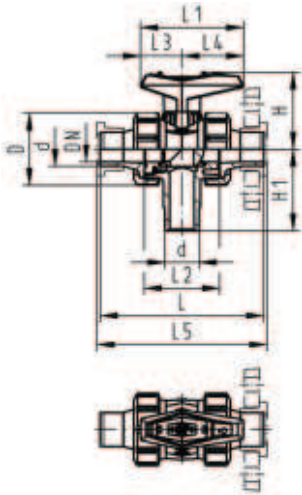
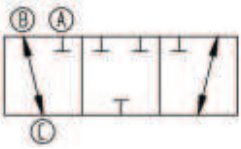
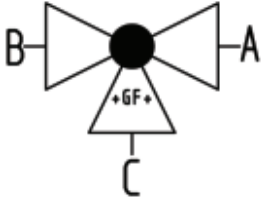


Rp [inch]	DN [mm]	PN	kv-value ($\Delta p=1$ bar) [l/min]	EPDM Code	FPM Code
3/8	10	10	49	161 543 421	161 543 431
1/2	15	10	77	161 543 422	161 543 432
3/4	20	10	146	161 543 423	161 543 433
1	25	10	260	161 543 424	161 543 434
1 1/4	32	10	437	161 543 425	161 543 435
1 1/2	40	10	667	161 543 426	161 543 436
2	50	10	1293	161 543 427	161 543 437

Rp [inch]	D [mm]	L [mm]	L1 [mm]	L2 [mm]	L3 [mm]	L4 [mm]	H [mm]	H1 [mm]	z [mm]
3/8	50	96	77	56	32	45	57	62	69
1/2	50	99	77	56	32	45	57	62	67
3/4	58	115	97	66	39	58	67	72	78
1	68	127	97	71	39	58	73	77	85
1 1/4	84	144	128	85	54	74	90	87	100
1 1/2	97	153	128	89	54	74	97	97	106
2	124	177	152	101	66	87	116	112	121

PVC-U metric

3-Way ball valve type 543 PVC-U Vertical/L-port With solvent cement spigots metric



Model:

- Vertical inlet solvent cement spigot metric
- Easy installation and removal using union on third outlet
- Ball seals PTFE
- Electric actuator available separately
- Angle of operation 360° without turn limiter
- Delivery status B-C opened, see flow scheme

Mode of action:

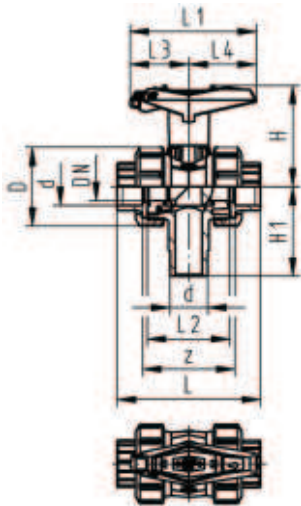
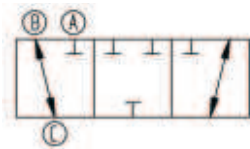
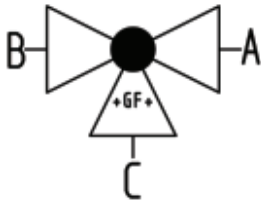
- For interconnection of two inputs

d [mm]	DN [mm]	PN	kv-value (Δp=1 bar) [l/min]	EPDM Code	FPM Code
16	10	10	49	161 543 441	161 543 451
20	15	10	77	161 543 442	161 543 452
25	20	10	146	161 543 443	161 543 453
32	25	10	260	161 543 444	161 543 454
40	32	10	437	161 543 445	161 543 455
50	40	10	667	161 543 446	161 543 456
63	50	10	1293	161 543 447	161 543 457

d [mm]	D [mm]	L [mm]	L1 [mm]	L2 [mm]	L3 [mm]	L4 [mm]	L5 [mm]	H [mm]	H1 [mm]	closest inch
16	50	114	77	56	32	45	120	57	62	3/8
20	50	124	77	56	32	45	130	57	62	1/2
25	58	144	97	66	39	58	150	67	72	3/4
32	68	154	97	71	39	58	160	73	77	1
40	84	174	128	85	54	74	180	90	87	1 1/4
50	97	194	128	89	54	74	200	97	97	1 1/2
63	124	224	152	101	66	87	230	116	112	2

PVC-U metric

3-Way ball valve type 543 PVC-U Vertical/L-port With lockable handle With solvent cement sockets metric



Model:

- Vertical inlet solvent cement spigot metric
- Easy installation and removal using union on third outlet
- Ball seals PTFE
- Electric actuator available separately
- Angle of operation 360° without turn limiter
- Multifunctional lever red with ratched setting 45°, lockable
- Delivery status B-C opened, see flow scheme

Mode of action:

- For interconnection of two inputs

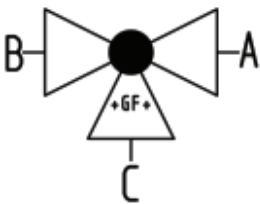
d [mm]	DN [mm]	PN	kv-value (Δp=1 bar) [l/min]	EPDM Code	FPM Code
16	10	10	49	161 543 501	161 543 511
20	15	10	77	161 543 502	161 543 512
25	20	10	146	161 543 503	161 543 513
32	25	10	260	161 543 504	161 543 514
40	32	10	437	161 543 505	161 543 515
50	40	10	667	161 543 506	161 543 516
63	50	10	1293	161 543 507	161 543 517

d [mm]	D [mm]	L [mm]	L1 [mm]	L2 [mm]	L3 [mm]	L4 [mm]	H [mm]	H1 [mm]	z [mm]	closest inch
16	50	92	87	56	42	45	79	62	64	3/8
20	50	95	87	56	42	45	79	62	64	1/2
25	58	111	108	66	50	58	88	72	74	3/4
32	68	123	108	71	50	58	94	77	79	1
40	84	146	140	85	66	74	113	87	95	1 1/4
50	97	157	140	89	66	74	119	97	95	1 1/2
63	124	183	165	101	78	87	141	112	107	2

PVC-U metric

Ball valves electric

3-Way ball valve type 185 PVC-U
Horizontal/L-port 100-230V
With manual emergency override
With solvent cement sockets metric



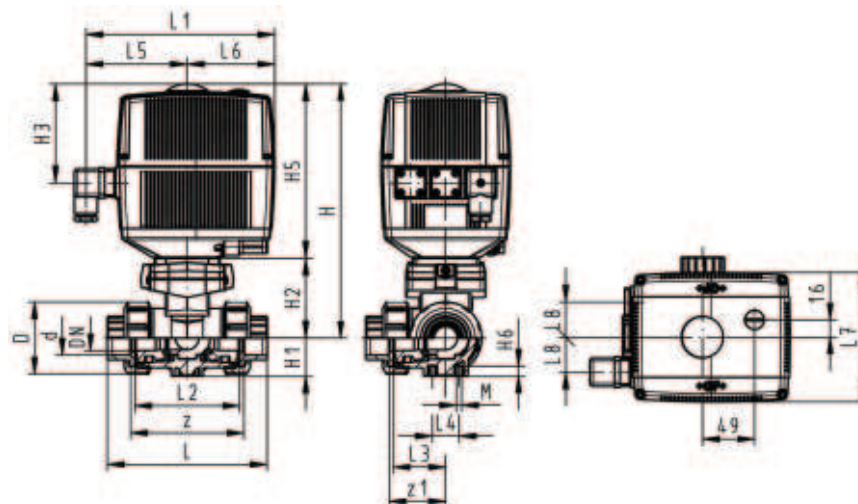
Model:

- Built on with electric actuator EA21
- Voltage 100-230 V, 50-60 Hz
- Control range 90°<
- Basic position A-C opened, activated position B-C opened, see flow scheme
- Other positions possible by adjusting the limit switches
- Control time 5 s/90°<
- For easy installation and removal
- Integrated stainless steel mounting inserts

d [mm]	DN [mm]	PN	kv-value (Δp=1 bar) [l/min]	EPDM Code	FPM Code
16	10	10	50	199 185 022	199 185 032
20	15	10	75	199 185 023	199 185 033
25	20	10	150	199 185 024	199 185 034
32	25	10	280	199 185 025	199 185 035
40	32	10	480	199 185 026	199 185 036
50	40	10	620	199 185 027	199 185 037
63	50	10	1230	199 185 028	199 185 038

d [mm]	D [mm]	H [mm]	H1 [mm]	H2 [mm]	H3 [mm]	H5 [mm]	H6 [mm]	L [mm]	L1 [mm]	L2 [mm]	L3 [mm]	L4 [mm]	L5 [mm]	L6 [mm]	L7 [mm]
16	50	231	28	64	94	167	8	109	180	73	36	25	97	83	122
20	50	231	28	64	94	167	8	112	180	73	36	25	97	83	122
25	58	240	32	73	94	167	8	131	180	86	43	25	97	83	122
32	68	240	36	73	94	167	8	151	180	99	50	25	97	83	122
40	84	251	45	84	94	167	9	181	180	120	60	45	97	83	122
50	97	251	51	84	94	167	9	205	180	137	69	45	97	83	122
63	124	273	65	106	94	167	9	261	180	179	89	45	97	83	122

d [mm]	L8 [mm]	M	z [mm]	z1 [mm]	closest inch
16	33	6	81	40	3/8
20	33	6	81	40	1/2
25	33	6	94	47	3/4
32	33	6	107	54	1
40	33	8	130	65	1 1/4
50	33	8	143	72	1 1/2
63	33	8	185	92	2



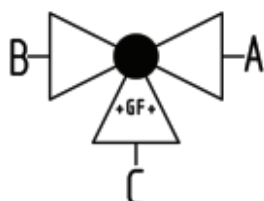
PVC-U metric

3-Way ball valve type 185 PVC-U Horizontal/L-port 100-230V With manual emergency override With solvent cement spigots metric



Model:

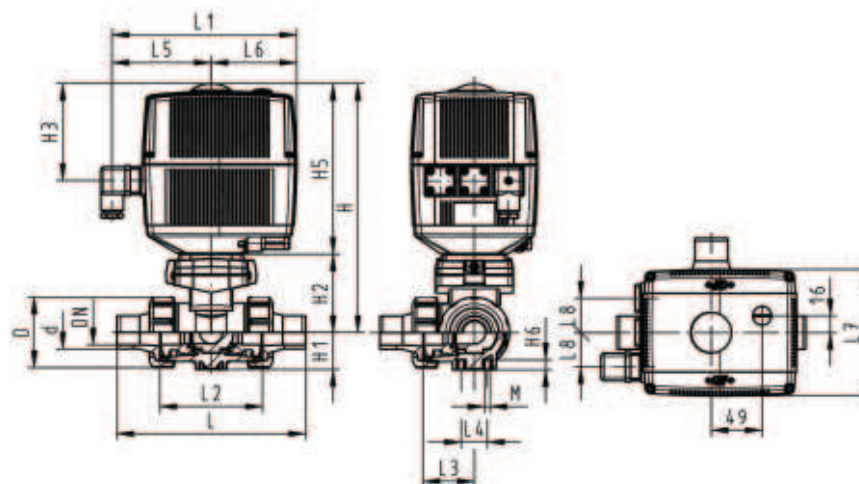
- Built on with electric actuator EA21
- Voltage 100-230 V, 50-60 Hz
- Control range 90°<
- Basic position A-C opened, activated position B-C opened, see flow scheme
- Other positions possible by adjusting the limit switches
- Control time 5 s/90°<
- For easy installation and removal
- Integrated stainless steel mounting inserts



d [mm]	DN [mm]	PN	kv-value (Δp=1 bar) [l/min]	EPDM Code	FPM Code
16	10	10	50	199 185 002	199 185 012
20	15	10	75	199 185 003	199 185 013
25	20	10	150	199 185 004	199 185 014
32	25	10	280	199 185 005	199 185 015
40	32	10	480	199 185 006	199 185 016
50	40	10	620	199 185 007	199 185 017
63	50	10	1230	199 185 008	199 185 018

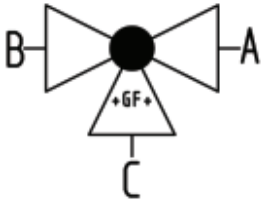
d [mm]	D [mm]	H [mm]	H1 [mm]	H2 [mm]	H3 [mm]	H5 [mm]	H6 [mm]	L [mm]	L1 [mm]	L2 [mm]	L3 [mm]	L4 [mm]	L5 [mm]	L6 [mm]	L7 [mm]
16	50	231	28	64	94	167	8	131	180	194	36	25	97	83	122
20	50	231	28	64	94	167	8	141	180	194	36	25	97	83	122
25	58	240	32	73	94	167	8	165	180	194	43	25	97	83	122
32	68	240	36	73	94	167	8	182	180	194	50	25	97	83	122
40	84	251	45	84	94	167	9	209	180	194	60	45	97	83	122
50	97	251	51	84	94	167	9	242	180	194	69	45	97	83	122
63	124	273	65	106	94	167	9	302	180	194	89	45	97	83	122

d [mm]	L8 [mm]	M	closest inch
16	33	6	3/8
20	33	6	1/2
25	33	6	3/4
32	33	6	1
40	33	8	1 1/4
50	33	8	1 1/2
63	33	8	2



PVC-U metric

3-Way ball valve type 185 PVC-U Horizontal/L-port 24V With manual emergency override With solvent cement sockets metric



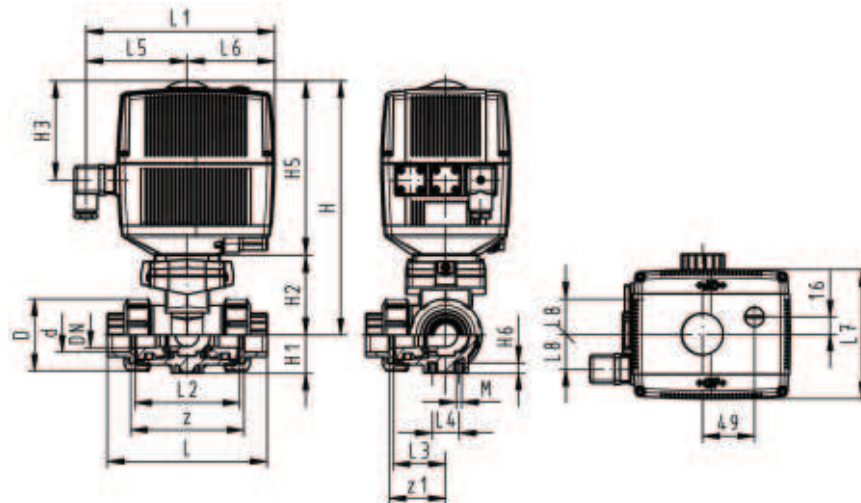
Model:

- Built on with electric actuator EA21
- Voltage 24 V AC/DC
- Control range 90°<
- Basic position A-C opened, activated position B-C opened, see flow scheme
- Other positions possible by adjusting the limit switches
- Control time 5 s/90°<
- For easy installation and removal
- Integrated stainless steel mounting inserts

d [mm]	DN [mm]	PN	kv-value (Δp=1 bar) [l/min]	EPDM Code	FPM Code
16	10	10	50	199 185 202	199 185 212
20	15	10	75	199 185 203	199 185 213
25	20	10	150	199 185 204	199 185 214
32	25	10	280	199 185 205	199 185 215
40	32	10	480	199 185 206	199 185 216
50	40	10	620	199 185 207	199 185 217
63	50	10	1230	199 185 208	199 185 218

d [mm]	D [mm]	H [mm]	H1 [mm]	H2 [mm]	H3 [mm]	H5 [mm]	H6 [mm]	L [mm]	L1 [mm]	L2 [mm]	L3 [mm]	L4 [mm]	L5 [mm]	L6 [mm]	L7 [mm]
16	50	231	28	64	94	167	8	109	180	73	36	25	97	83	122
20	50	231	28	64	94	167	8	112	180	73	36	25	97	83	122
25	58	240	32	73	94	167	8	131	180	86	43	25	97	83	122
32	68	240	36	73	94	167	8	151	180	99	50	25	97	83	122
40	84	251	45	84	94	167	9	181	180	120	60	45	97	83	122
50	97	251	51	84	94	167	9	205	180	137	69	45	97	83	122
63	124	273	65	106	94	167	9	261	180	179	89	45	97	83	122

d [mm]	L8 [mm]	M	z [mm]	z1 [mm]	closest inch
16	33	6	81	40	3/8
20	33	6	81	40	1/2
25	33	6	94	47	3/4
32	33	6	107	54	1
40	33	8	130	65	1 1/4
50	33	8	143	72	1 1/2
63	33	8	185	92	2



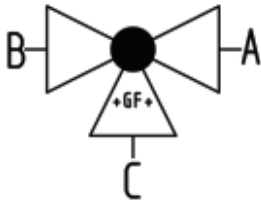
PVC-U metric

3-Way ball valve type 185 PVC-U Horizontal/L-port 24V With manual emergency override With solvent cement spigots metric



Model:

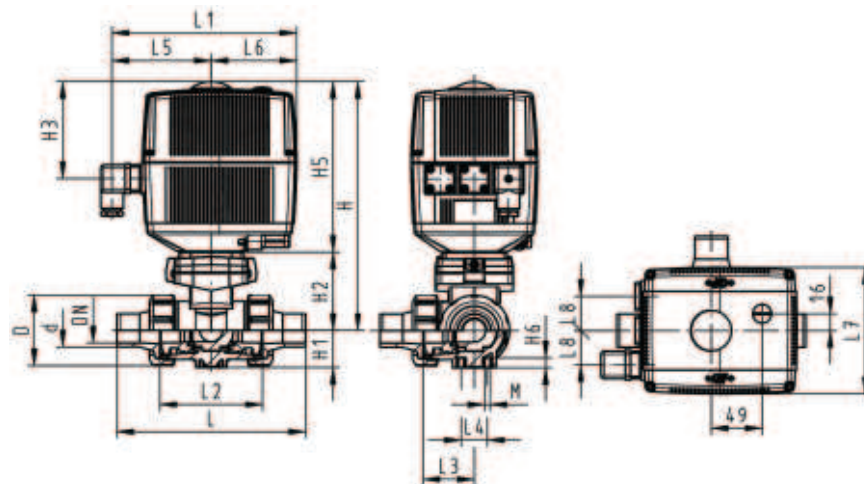
- Built on with electric actuator EA21
- Voltage 24 V AC/DC
- Control range 90°<
- Basic position A-C opened, activated position B-C opened, see flow scheme
- Other positions possible by adjusting the limit switches
- Control time 5 s/90°<
- For easy installation and removal
- Integrated stainless steel mounting inserts



d [mm]	DN [mm]	PN	kv-value (Δp=1 bar) [l/min]	EPDM Code	FPM Code
16	10	10	50	199 185 182	199 185 192
20	15	10	75	199 185 183	199 185 193
25	20	10	150	199 185 184	199 185 194
32	25	10	280	199 185 185	199 185 195
40	32	10	480	199 185 186	199 185 196
50	40	10	620	199 185 187	199 185 197
63	50	10	1230	199 185 188	199 185 198

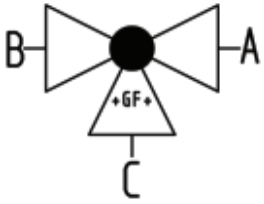
d [mm]	D [mm]	H [mm]	H1 [mm]	H2 [mm]	H3 [mm]	H5 [mm]	H6 [mm]	L [mm]	L1 [mm]	L2 [mm]	L3 [mm]	L4 [mm]	L5 [mm]	L6 [mm]	L7 [mm]
16	50	231	28	64	94	167	8	131	180	73	36	25	97	83	122
20	50	231	28	64	94	167	8	141	180	73	36	25	97	83	122
25	58	240	32	73	94	167	8	165	180	86	43	25	97	83	122
32	68	240	36	73	94	167	8	182	180	99	50	25	97	83	122
40	84	251	45	84	94	167	9	209	180	120	60	45	97	83	122
50	97	251	51	84	94	167	9	242	180	137	69	45	97	83	122
63	124	273	65	106	94	167	9	302	180	179	89	45	97	83	122

d [mm]	L8 [mm]	M	closest inch
16	33	6	3/8
20	33	6	1/2
25	33	6	3/4
32	33	6	1
40	33	8	1 1/4
50	33	8	1 1/2
63	33	8	2



PVC-U metric

3-Way ball valve type 185 PVC-U Horizontal/T-port 100-230V With manual emergency override With solvent cement sockets metric



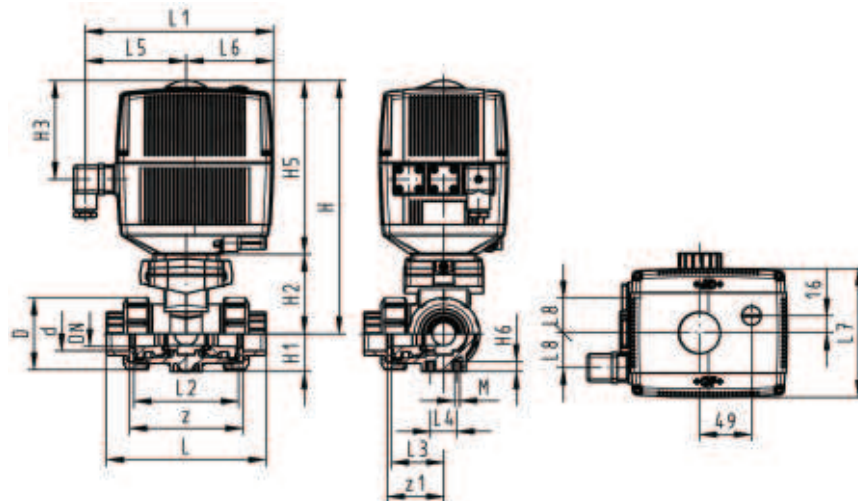
Model:

- Built on with electric actuator EA21
- Voltage 100-230 V, 50-60 Hz
- Control range 90°<
- Basic position A-B-C opened, activated position B-C opened, see flow scheme
- Other positions possible by adjusting the limit switches
- Control time 5 s/90°<
- For easy installation and removal
- Integrated stainless steel mounting inserts

d [mm]	DN [mm]	PN	kv-value (Δp=1 bar) [l/min]	EPDM Code	FPM Code
16	10	10	140	199 185 062	199 185 072
20	15	10	200	199 185 063	199 185 073
25	20	10	470	199 185 064	199 185 074
32	25	10	793	199 185 065	199 185 075
40	32	10	1290	199 185 066	199 185 076
50	40	10	1910	199 185 067	199 185 077
63	50	10	3100	199 185 068	199 185 078

d [mm]	D [mm]	H [mm]	H1 [mm]	H2 [mm]	H3 [mm]	H5 [mm]	H6 [mm]	L [mm]	L1 [mm]	L2 [mm]	L3 [mm]	L4 [mm]	L5 [mm]	L6 [mm]	L7 [mm]
16	50	231	28	64	94	167	8	109	180	73	36	25	97	83	122
20	50	231	28	64	94	167	8	112	180	73	36	25	97	83	122
25	58	240	32	73	94	167	8	131	180	86	43	25	97	83	122
32	68	240	36	73	94	167	8	151	180	99	50	25	97	83	122
40	84	251	45	84	94	167	9	181	180	120	60	45	97	83	122
50	97	251	51	84	94	167	9	205	180	137	69	45	97	83	122
63	124	273	65	106	94	167	9	261	180	179	89	45	97	83	122

d [mm]	L8 [mm]	M	z [mm]	z1 [mm]	closest inch
16	33	6	81	40	3/8
20	33	6	81	40	1/2
25	33	6	94	47	3/4
32	33	6	107	54	1
40	33	8	130	65	1 1/4
50	33	8	143	72	1 1/2
63	33	8	185	92	2



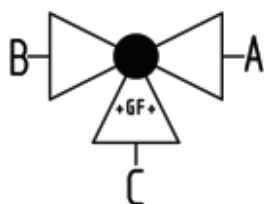
PVC-U metric

3-Way ball valve type 185 PVC-U Horizontal/T-port 100-230V With manual emergency override With solvent cement spigots metric



Model:

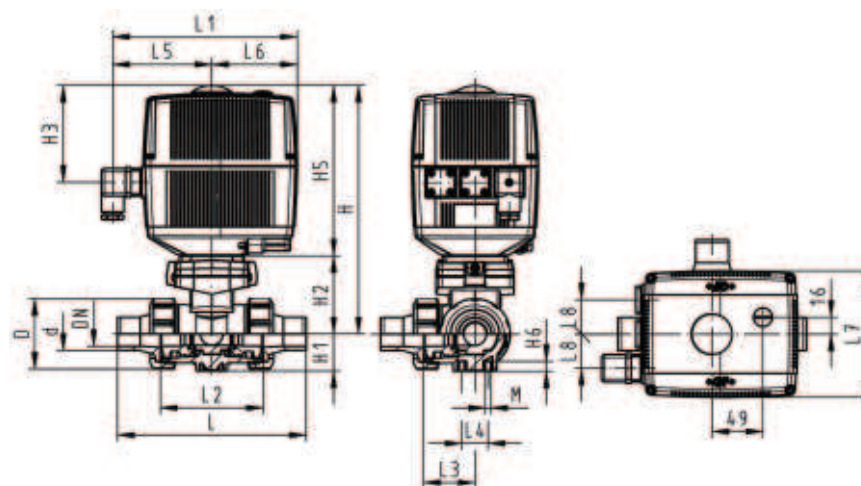
- Built on with electric actuator EA21
- Voltage 100-230 V, 50-60 Hz
- Control range 90°<
- Basic position A-B-C opened, activated position B-C opened, see flow scheme
- Other positions possible by adjusting the limit switches
- Control time 5 s/90°<
- For easy installation and removal
- Integrated stainless steel mounting inserts



d [mm]	DN [mm]	PN	kv-value (Δp=1 bar) [l/min]	EPDM Code	FPM Code
16	10	10	140	199 185 042	199 185 052
20	15	10	200	199 185 043	199 185 053
25	20	10	470	199 185 044	199 185 054
32	25	10	793	199 185 045	199 185 055
40	32	10	1290	199 185 046	199 185 056
50	40	10	1910	199 185 047	199 185 057
63	50	10	3100	199 185 048	199 185 058

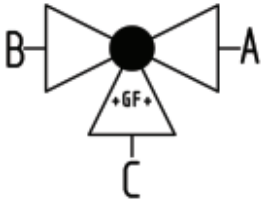
d [mm]	D [mm]	H [mm]	H1 [mm]	H2 [mm]	H3 [mm]	H5 [mm]	H6 [mm]	L [mm]	L1 [mm]	L2 [mm]	L3 [mm]	L4 [mm]	L5 [mm]	L6 [mm]	L7 [mm]
16	50	231	28	64	94	167	8	131	180	73	36	25	97	83	122
20	50	231	28	64	94	167	8	141	180	73	36	25	97	83	122
25	58	240	32	73	94	167	8	165	180	86	43	25	97	83	122
32	68	240	36	73	94	167	8	182	180	99	50	25	97	83	122
40	84	251	45	84	94	167	9	209	180	120	60	45	97	83	122
50	97	251	51	84	94	167	9	242	180	137	69	45	97	83	122
63	124	273	65	106	94	167	9	302	180	179	89	45	97	83	122

d [mm]	L8 [mm]	M	closest inch
16	33	6	3/8
20	33	6	1/2
25	33	6	3/4
32	33	6	1
40	33	8	1 1/4
50	33	8	1 1/2
63	33	8	2



PVC-U metric

3-Way ball valve type 185 PVC-U Horizontal/T-port 24V With manual emergency override With solvent cement sockets metric



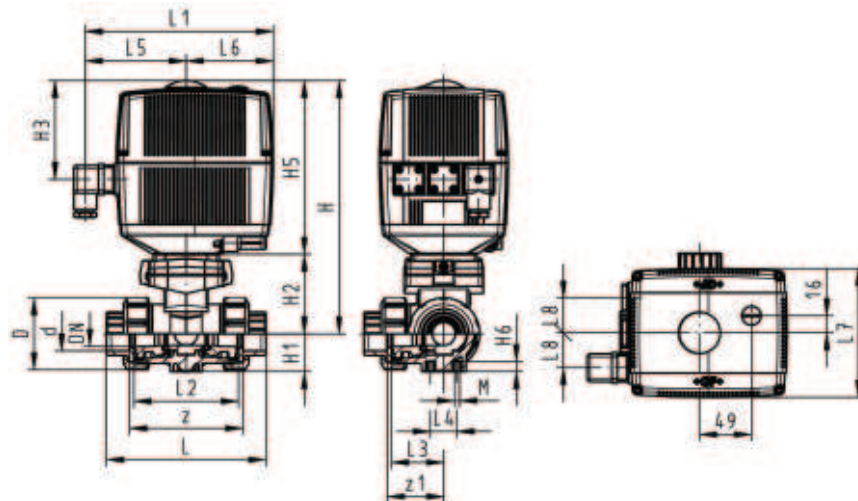
Model:

- Built on with electric actuator EA21
- Voltage 24 V AC/DC
- Control range 90°<
- Basic position A-B-C opened, activated position B-C opened, see flow scheme
- Other positions possible by adjusting the limit switches
- Control time 5 s/90°<
- For easy installation and removal
- Integrated stainless steel mounting inserts

d [mm]	DN [mm]	PN	kv-value (Δp=1 bar) [l/min]	EPDM Code	FPM Code
16	10	10	140	199 185 242	199 185 252
20	15	10	200	199 185 243	199 185 253
25	20	10	470	199 185 244	199 185 254
32	25	10	793	199 185 245	199 185 255
40	32	10	1290	199 185 246	199 185 256
50	40	10	1910	199 185 247	199 185 257
63	50	10	3100	199 185 248	199 185 258

d [mm]	D [mm]	H [mm]	H1 [mm]	H2 [mm]	H3 [mm]	H5 [mm]	H6 [mm]	L [mm]	L1 [mm]	L2 [mm]	L3 [mm]	L4 [mm]	L5 [mm]	L6 [mm]	L7 [mm]
16	50	231	28	64	94	167	8	109	180	73	36	25	97	83	122
20	50	231	28	64	94	167	8	112	180	73	36	25	97	83	122
25	58	240	32	73	94	167	8	131	180	86	43	25	97	83	122
32	68	240	36	73	94	167	8	151	180	99	50	25	97	83	122
40	84	251	45	84	94	167	9	181	180	120	60	45	97	83	122
50	97	251	51	84	94	167	9	205	180	137	69	45	97	83	122
63	124	273	65	106	94	167	9	261	180	179	89	45	97	83	122

d [mm]	L8 [mm]	M	z [mm]	z1 [mm]	closest inch
16	33	6	81	40	3/8
20	33	6	81	40	1/2
25	33	6	94	47	3/4
32	33	6	107	54	1
40	33	8	130	65	1 1/4
50	33	8	143	72	1 1/2
63	33	8	185	92	2



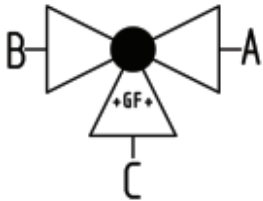
PVC-U metric

3-Way ball valve type 185 PVC-U Horizontal/T-port 24V With manual emergency override With solvent cement spigots metric



Model:

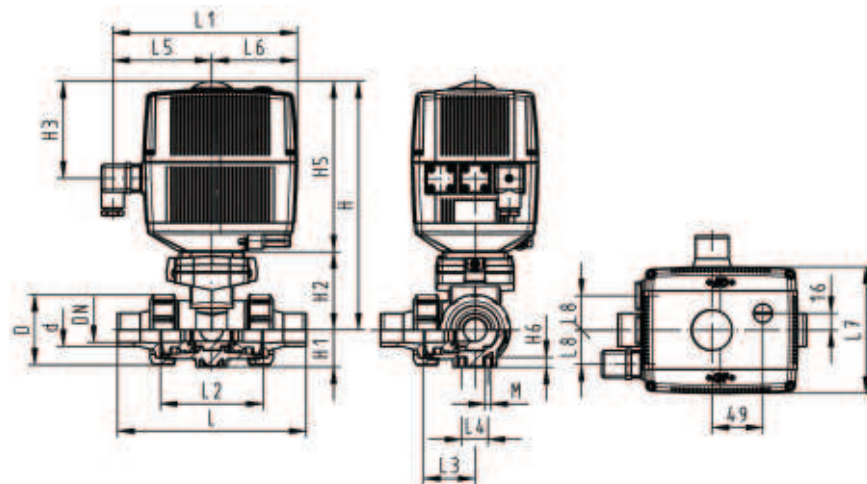
- Built on with electric actuator EA21
- Voltage 24 V AC/DC
- Control range 90°<
- Basic position A-B-C opened, activated position B-C opened, see flow scheme
- Other positions possible by adjusting the limit switches
- Control time 5 s/90°<
- For easy installation and removal
- Integrated stainless steel mounting inserts



d [mm]	DN [mm]	PN	kv-value (Δp=1 bar) [l/min]	EPDM Code	FPM Code
16	10	10	140	199 185 222	199 185 232
20	15	10	200	199 185 223	199 185 233
25	20	10	470	199 185 224	199 185 234
32	25	10	793	199 185 225	199 185 235
40	32	10	1290	199 185 226	199 185 236
50	40	10	1910	199 185 227	199 185 237
63	50	10	3100	199 185 228	199 185 238

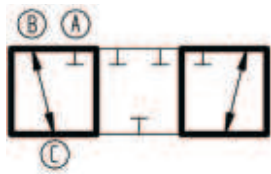
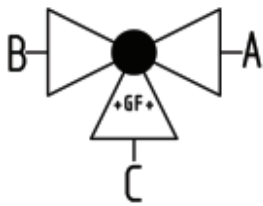
d [mm]	D [mm]	H [mm]	H1 [mm]	H2 [mm]	H3 [mm]	H5 [mm]	H6 [mm]	L [mm]	L1 [mm]	L2 [mm]	L3 [mm]	L4 [mm]	L5 [mm]	L6 [mm]	L7 [mm]
16	50	231	28	64	94	167	8	131	180	73	36	25	97	83	122
20	50	231	28	64	94	167	8	141	180	73	36	25	97	83	122
25	58	240	32	73	94	167	8	165	180	86	43	25	97	83	122
32	68	240	36	73	94	167	8	182	180	99	50	25	97	83	122
40	84	251	45	84	94	167	9	209	180	120	60	45	97	83	122
50	97	251	51	84	94	167	9	242	180	137	69	45	97	83	122
63	124	273	65	106	94	167	9	302	180	179	89	45	97	83	122

d [mm]	L8 [mm]	M	closest inch
16	33	6	3/8
20	33	6	1/2
25	33	6	3/4
32	33	6	1
40	33	8	1 1/4
50	33	8	1 1/2
63	33	8	2



PVC-U metric

3-Way ball valve type 188 PVC-U Vertical/L-port 100-230V With manual emergency override With solvent cement sockets metric



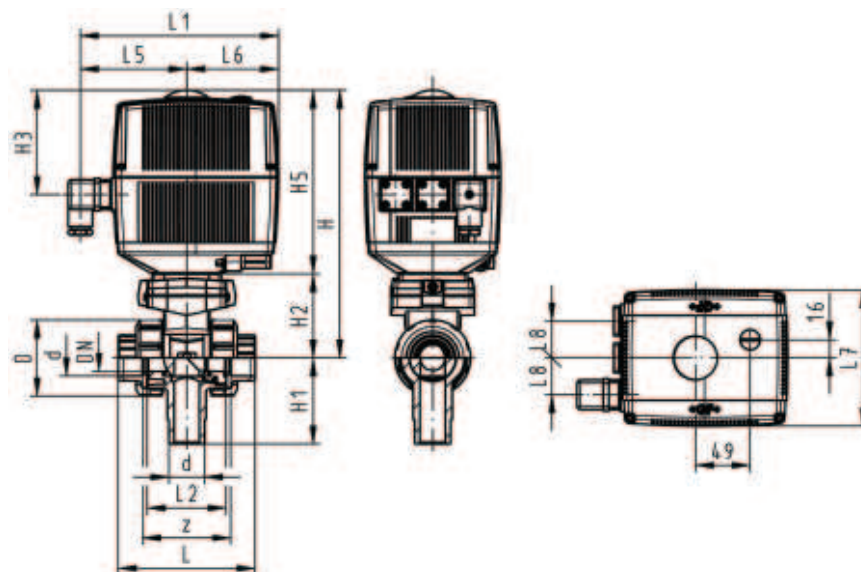
Model:

- Vertical inlet solvent cement spigot metric
- Built on with electric actuator EA21
- Voltage 100-230 V, 50-60 Hz
- Control range 180°<
- Basic position B-C opened, activated position A-C opened, see flow scheme
- Control time 10 s/180°<
- Easy installation and removal using union on third outlet

d [mm]	DN [mm]	PN	kv-value (Δp=1 bar) [l/min]	EPDM Code	FPM Code
16	10	10	49	199 188 242	199 188 252
20	15	10	77	199 188 243	199 188 253
25	20	10	146	199 188 244	199 188 254
32	25	10	260	199 188 245	199 188 255
40	32	10	437	199 188 246	199 188 256
50	40	10	667	199 188 247	199 188 257
63	50	10	1293	199 188 248	199 188 258

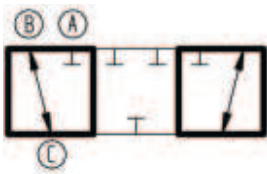
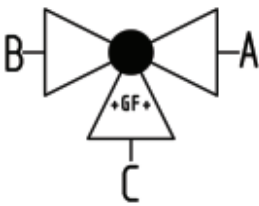
d [mm]	D [mm]	H [mm]	H1 [mm]	H2 [mm]	H3 [mm]	H5 [mm]	L [mm]	L1 [mm]	L2 [mm]	L5 [mm]	L6 [mm]	L7 [mm]	L8 [mm]	z [mm]
16	50	231	62	64	94	167	92	180	56	97	83	122	33	64
20	50	231	62	64	94	167	95	180	56	97	83	122	33	64
25	58	240	72	73	94	167	111	180	66	97	83	122	33	74
32	68	240	77	73	94	167	123	180	71	97	83	122	33	79
40	84	251	87	84	94	167	146	180	85	97	83	122	33	95
50	97	251	97	84	94	167	157	180	89	97	83	122	33	95
63	124	273	112	106	94	167	183	180	101	97	83	122	33	107

d [mm]	closest inch
16	3/8
20	1/2
25	3/4
32	1
40	1 1/4
50	1 1/2
63	2



PVC-U metric

3-Way ball valve type 188 PVC-U Vertical/L-port 100-230V With manual emergency override With solvent cement spigots metric

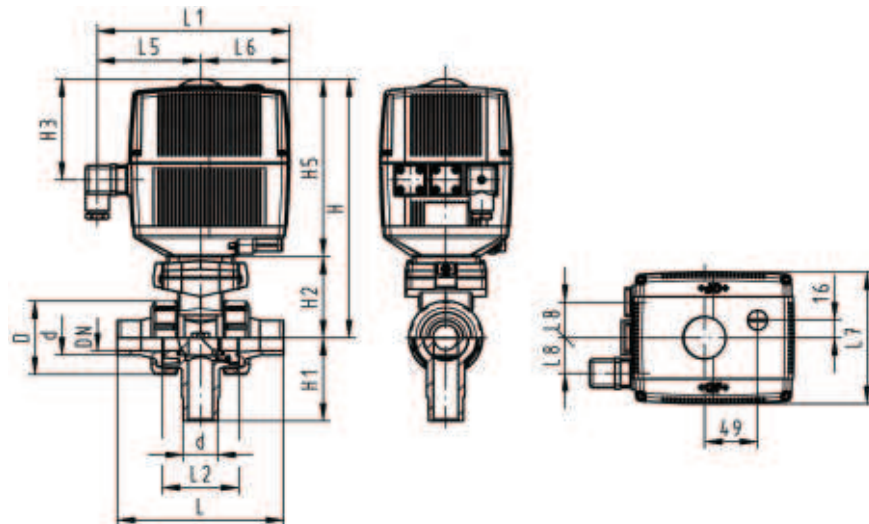


Model:

- Vertical inlet solvent cement spigot metric
- Built on with electric actuator EA21
- Voltage 100-230 V, 50-60 Hz
- Control range 180°<
- Basic position B-C opened, activated position A-C opened, see flow scheme
- Control time 10 s/180°<
- Easy installation and removal using union on third outlet

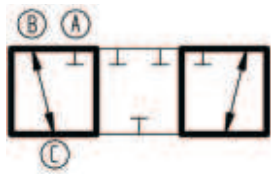
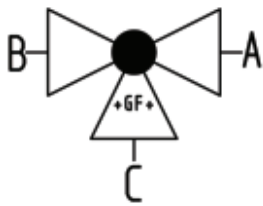
d [mm]	DN [mm]	PN	kv-value (Δp=1 bar) [l/min]	EPDM Code	FPM Code
16	10	10	49	199 188 062	199 188 072
20	15	10	77	199 188 063	199 188 073
25	20	10	146	199 188 064	199 188 074
32	25	10	260	199 188 065	199 188 075
40	32	10	437	199 188 066	199 188 076
50	40	10	667	199 188 067	199 188 077
63	50	10	1293	199 188 068	199 188 078

d [mm]	D [mm]	H [mm]	H1 [mm]	H2 [mm]	H3 [mm]	H5 [mm]	L [mm]	L1 [mm]	L2 [mm]	L5 [mm]	L6 [mm]	L7 [mm]	L8 [mm]	closest inch
16	50	231	62	64	94	167	114	180	56	97	83	122	33	3/8
20	50	231	62	64	94	167	124	180	56	97	83	122	33	1/2
25	58	240	72	73	94	167	144	180	66	97	83	122	33	3/4
32	68	240	77	73	94	167	154	180	71	97	83	122	33	1
40	84	251	87	84	94	167	174	180	85	97	83	122	33	1 1/4
50	97	251	97	84	94	167	194	180	89	97	83	122	33	1 1/2
63	124	273	112	106	94	167	224	180	101	97	83	122	33	2



PVC-U metric

3-Way ball valve type 188 PVC-U Vertical/L-port 24V With manual emergency override With solvent cement sockets metric



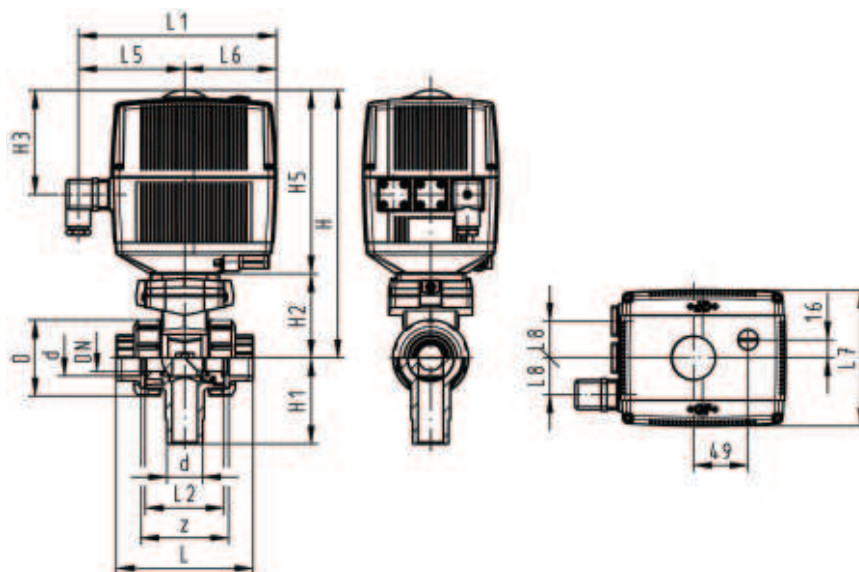
Model:

- Vertical inlet solvent cement spigot metric
- Built on with electric actuator EA21
- Voltage 24 V AC/DC
- Control range 180°<
- Basic position B-C opened, activated position A-C opened, see flow scheme
- Control time 10 s/180°<
- Easy installation and removal using union on third outlet

d [mm]	DN [mm]	PN	kv-value (Δp=1 bar) [l/min]	EPDM Code	FPM Code
16	10	10	49	199 188 262	199 188 272
20	15	10	77	199 188 263	199 188 273
25	20	10	146	199 188 264	199 188 274
32	25	10	260	199 188 265	199 188 275
40	32	10	437	199 188 266	199 188 276
50	40	10	667	199 188 267	199 188 277
63	50	10	1293	199 188 268	199 188 278

d [mm]	D [mm]	H [mm]	H1 [mm]	H2 [mm]	H3 [mm]	H5 [mm]	L [mm]	L1 [mm]	L2 [mm]	L5 [mm]	L6 [mm]	L7 [mm]	L8 [mm]	z [mm]
16	50	231	62	64	94	167	92	180	56	97	83	122	33	64
20	50	231	62	64	94	167	95	180	56	97	83	122	33	64
25	58	240	72	73	94	167	111	180	66	97	83	122	33	74
32	68	240	77	73	94	167	123	180	71	97	83	122	33	79
40	84	251	87	84	94	167	146	180	85	97	83	122	33	95
50	97	251	97	84	94	167	157	180	89	97	83	122	33	95
63	124	273	112	106	94	167	183	180	101	97	83	122	33	107

d [mm]	closest inch
16	3/8
20	1/2
25	3/4
32	1
40	1 1/4
50	1 1/2
63	2



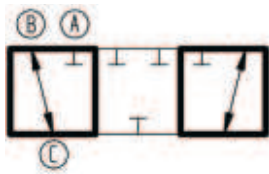
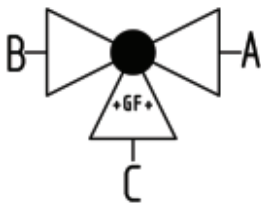
PVC-U metric

3-Way ball valve type 188 PVC-U Vertical/L-port 24V With manual emergency override With solvent cement spigots metric



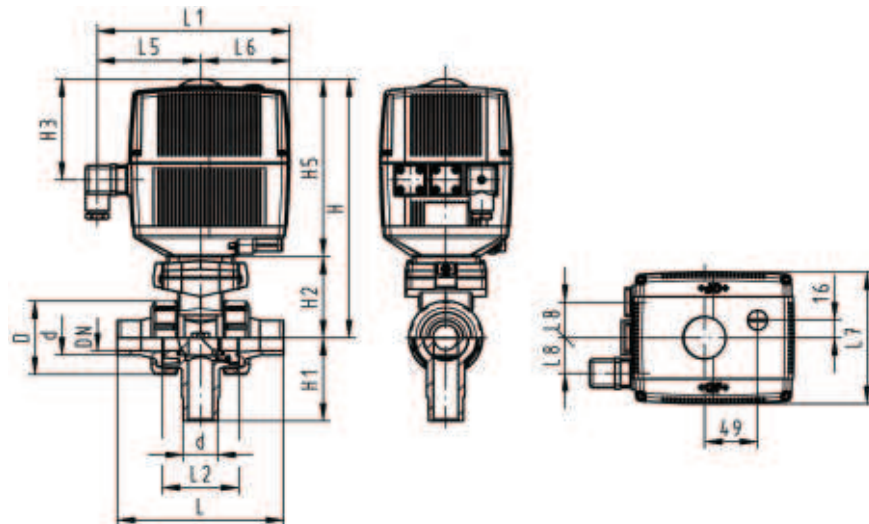
Model:

- Vertical inlet solvent cement spigot metric
- Built on with electric actuator EA21
- Voltage 24 V AC/DC
- Control range 180°<
- Basic position B-C opened, activated position A-C opened, see flow scheme
- Control time 10 s/180°<
- Easy installation and removal using union on third outlet



d [mm]	DN [mm]	PN	kv-value (Δp=1 bar) [l/min]	EPDM Code	FPM Code
16	10	10	49	199 188 102	199 188 112
20	15	10	77	199 188 103	199 188 113
25	20	10	146	199 188 104	199 188 114
32	25	10	260	199 188 105	199 188 115
40	32	10	437	199 188 106	199 188 116
50	40	10	667	199 188 107	199 188 117
63	50	10	1293	199 188 108	199 188 118

d [mm]	D [mm]	H [mm]	H1 [mm]	H2 [mm]	H3 [mm]	H5 [mm]	L [mm]	L1 [mm]	L2 [mm]	L5 [mm]	L6 [mm]	L7 [mm]	L8 [mm]	closest inch
16	50	231	62	64	94	167	114	180	56	97	83	122	33	3/8
20	50	231	62	64	94	167	124	180	56	97	83	122	33	1/2
25	58	240	72	73	94	167	144	180	66	97	83	122	33	3/4
32	68	240	77	73	94	167	154	180	71	97	83	122	33	1
40	84	251	87	84	94	167	174	180	85	97	83	122	33	1 1/4
50	97	251	97	84	94	167	194	180	89	97	83	122	33	1 1/2
63	124	273	112	106	94	167	224	180	101	97	83	122	33	2



PVC-U metric

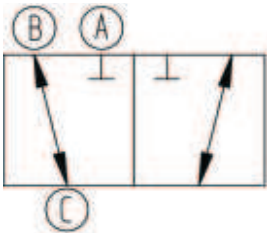
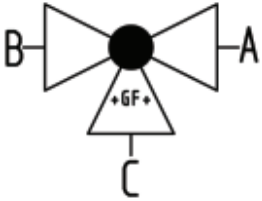
Ball valves pneumatic

3-Way ball valve type 285 PVC-U

Horizontal/L-port

Without manual override

With solvent cement sockets metric



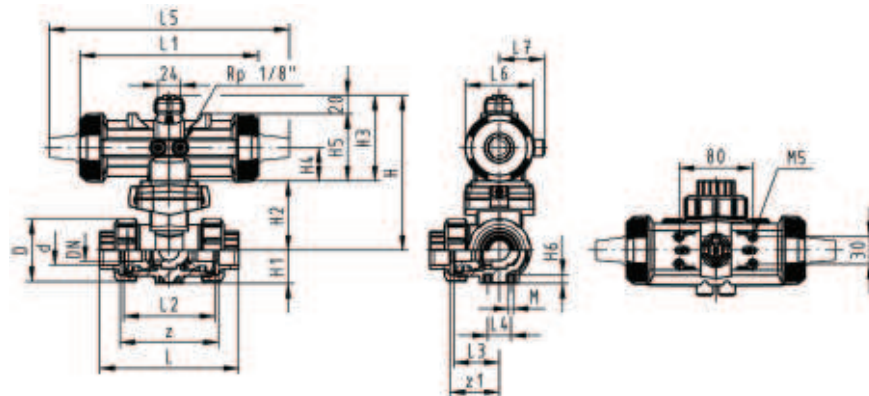
Model:

- Built on with pneumatic actuator PA11 (DN10/15-25), PA21 (DN32-50)
- Actuator fails safe to the closed position FC
- Basic position B-C opened, activated position A-C opened, see flow scheme
- Control time 90°<) 1-3 s
- For easy installation and removal
- Integrated stainless steel mounting inserts

d [mm]	DN [mm]	PN	kv-value (Δp=1 bar) [l/min]	EPDM Code	FPM Code
16	10	10	50	199 285 022	199 285 032
20	15	10	75	199 285 023	199 285 033
25	20	10	150	199 285 024	199 285 034
32	25	10	280	199 285 025	199 285 035
40	32	10	480	199 285 026	199 285 036
50	40	10	620	199 285 027	199 285 037
63	50	10	1230	199 285 028	199 285 038

d [mm]	D [mm]	H [mm]	H1 [mm]	H2 [mm]	H3 [mm]	H4 [mm]	H5 [mm]	H6 [mm]	L [mm]	L1 [mm]	L2 [mm]	L3 [mm]	L4 [mm]	L5 [mm]	L6 [mm]
16	50	159	28	62	97	40	77	8	109	194	73	36	25	261	76
20	50	159	28	62	97	40	77	8	112	194	73	36	25	261	76
25	58	168	32	71	97	40	77	8	131	194	86	43	25	261	76
32	68	168	36	71	97	40	77	8	151	194	99	50	25	261	76
40	84	203	45	84	119	51	99	9	181	224	120	60	45	305	95
50	97	203	51	84	119	51	99	9	205	224	137	69	45	305	95
63	124	225	65	106	119	51	99	9	261	224	179	89	45	305	95

d [mm]	L7 [mm]	M	z [mm]	z1 [mm]	closest inch
16	48	6	81	40	3/8
20	48	6	81	40	1/2
25	48	6	94	47	3/4
32	48	6	107	54	1
40	59	8	130	65	1 1/4
50	59	8	143	72	1 1/2
63	59	8	185	92	2



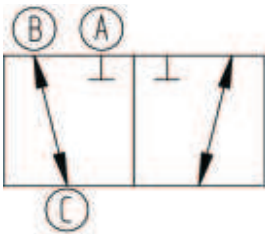
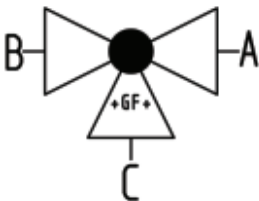
PVC-U metric



3-Way ball valve type 285 PVC-U Horizontal/L-port Without manual override With solvent cement spigots metric

Model:

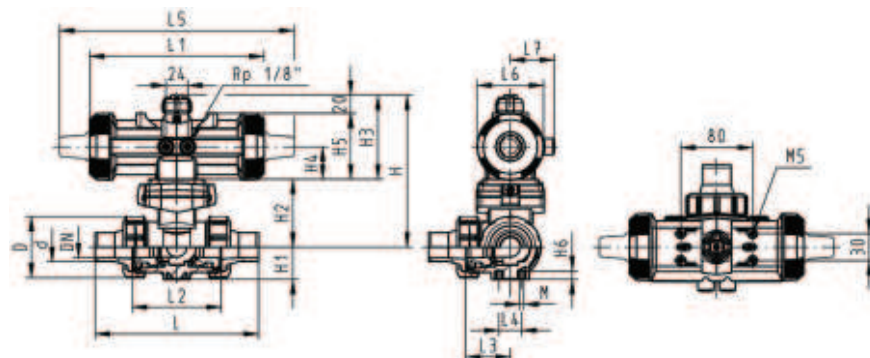
- Built on with pneumatic actuator PA11 (DN10/15-25), PA21 (DN32-50)
- Actuator fails safe to the closed position FC
- Basic position B-C opened, activated position A-C opened, see flow scheme
- Control time 90°< 1-3 s
- For easy installation and removal
- Integrated stainless steel mounting inserts



d [mm]	DN [mm]	PN	kv-value (Δp=1 bar) [l/min]	EPDM Code	FPM Code
16	10	10	50	199 285 002	199 285 012
20	15	10	75	199 285 003	199 285 013
25	20	10	150	199 285 004	199 285 014
32	25	10	280	199 285 005	199 285 015
40	32	10	480	199 285 006	199 285 016
50	40	10	620	199 285 007	199 285 017
63	50	10	1230	199 285 008	199 285 018

d [mm]	D [mm]	H [mm]	H1 [mm]	H2 [mm]	H3 [mm]	H4 [mm]	H5 [mm]	H6 [mm]	L [mm]	L1 [mm]	L2 [mm]	L3 [mm]	L4 [mm]	L5 [mm]	L6 [mm]
16	50	159	28	62	97	40	77	8	131	194	73	36	25	261	76
20	50	159	28	62	97	40	77	8	141	194	73	36	25	261	76
25	58	168	32	71	97	40	77	8	165	194	86	43	25	261	76
32	68	168	36	71	97	40	77	8	182	194	99	50	25	261	76
40	84	203	45	84	119	51	99	9	209	224	120	60	45	305	95
50	97	203	51	84	119	51	99	9	242	224	137	69	45	305	95
63	124	225	65	106	119	51	99	9	302	224	179	89	45	305	95

d [mm]	L7 [mm]	M	closest inch
16	48	6	3/8
20	48	6	1/2
25	48	6	3/4
32	48	6	1
40	59	8	1 1/4
50	59	8	1 1/2
63	59	8	2



PVC-U metric

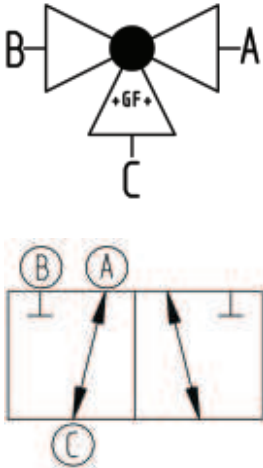


3-Way ball valve type 285 PVC-U Horizontal/L-port DA (Double acting) Without manual override With solvent cement sockets metric



Model:

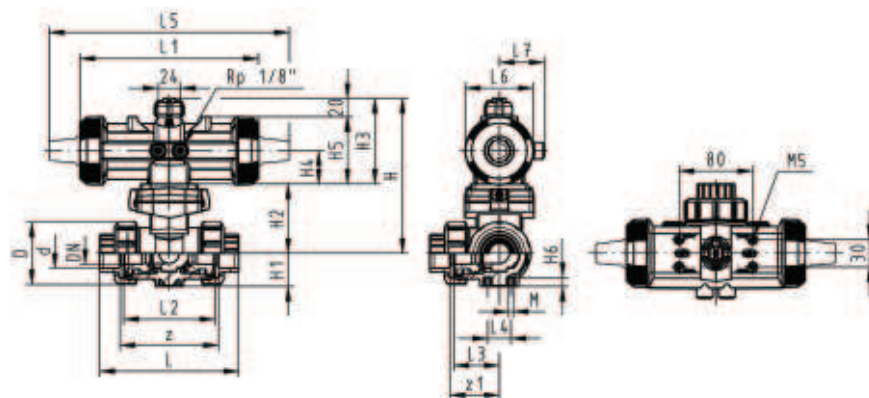
- Built on with pneumatic actuator PA11 (DN10/15-25), PA21 (DN32-50)
- Basic position A-C opened, activated position B-C opened, see flow scheme
- Control time $90^\circ <$ 1-3 s
- For easy installation and removal
- Integrated stainless steel mounting inserts



d [mm]	DN [mm]	PN	kv-value ($\Delta p=1$ bar) [l/min]	EPDM Code	FPM Code
16	10	10	50	199 285 202	199 285 212
20	15	10	75	199 285 203	199 285 213
25	20	10	150	199 285 204	199 285 214
32	25	10	280	199 285 205	199 285 215
40	32	10	480	199 285 206	199 285 216
50	40	10	620	199 285 207	199 285 217
63	50	10	1230	199 285 208	199 285 218

d [mm]	D [mm]	H [mm]	H1 [mm]	H2 [mm]	H3 [mm]	H4 [mm]	H5 [mm]	H6 [mm]	L [mm]	L1 [mm]	L2 [mm]	L3 [mm]	L4 [mm]	L5 [mm]	L6 [mm]
16	50	159	28	62	97	40	77	8	109	194	73	36	25	261	76
20	50	159	28	62	97	40	77	8	112	194	73	36	25	261	76
25	58	168	32	71	97	40	77	8	131	194	86	43	25	261	76
32	68	168	36	71	97	40	77	8	151	194	99	50	25	261	76
40	84	203	45	84	119	51	99	9	181	224	120	60	45	305	95
50	97	203	51	84	119	51	99	9	205	224	137	69	45	305	95
63	124	225	65	106	119	51	99	9	261	224	179	89	45	305	95

d [mm]	L7 [mm]	M	z [mm]	z1 [mm]	closest inch
16	48	6	81	40	$\frac{3}{8}$
20	48	6	81	40	$\frac{1}{2}$
25	48	6	94	47	$\frac{3}{4}$
32	48	6	107	54	1
40	59	8	130	65	$1 \frac{1}{4}$
50	59	8	143	72	$1 \frac{1}{2}$
63	59	8	185	92	2



PVC-U metric

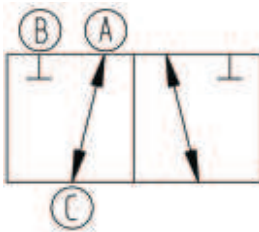
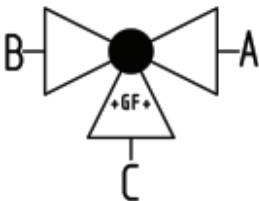


3-Way ball valve type 285 PVC-U Horizontal/L-port DA (Double acting) Without manual override With solvent cement spigots metric



Model:

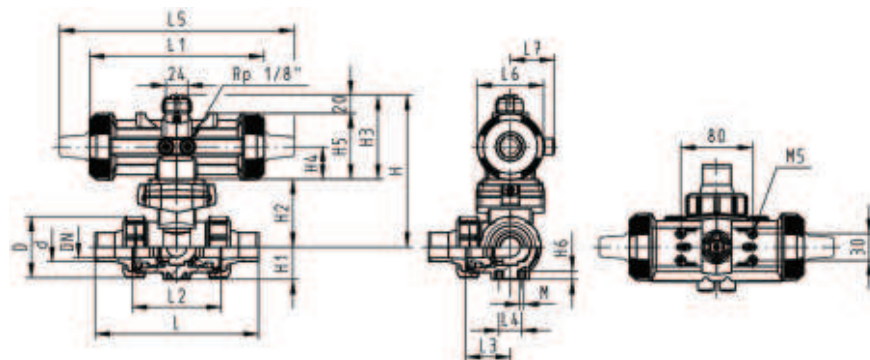
- Built on with pneumatic actuator PA11 (DN10/15-25), PA21 (DN32-50)
- Basic position A-C opened, activated position B-C opened, see flow scheme
- Control time $90^\circ <$ 1-3 s
- For easy installation and removal
- Integrated stainless steel mounting inserts



d [mm]	DN [mm]	PN	kv-value ($\Delta p=1$ bar) [l/min]	EPDM Code	FPM Code
16	10	10	50	199 285 182	199 285 192
20	15	10	75	199 285 183	199 285 193
25	20	10	150	199 285 184	199 285 194
32	25	10	280	199 285 185	199 285 195
40	32	10	480	199 285 186	199 285 196
50	40	10	620	199 285 187	199 285 197
63	50	10	1230	199 285 188	199 285 198

d [mm]	D [mm]	H [mm]	H1 [mm]	H2 [mm]	H3 [mm]	H4 [mm]	H5 [mm]	H6 [mm]	L [mm]	L1 [mm]	L2 [mm]	L3 [mm]	L4 [mm]	L5 [mm]	L6 [mm]
16	50	159	28	62	97	40	77	8	131	194	73	36	25	261	76
20	50	159	28	62	97	40	77	8	141	194	73	36	25	261	76
25	58	168	32	71	97	40	77	8	165	194	86	43	25	261	76
32	68	168	36	71	97	40	77	8	182	194	99	50	25	261	76
40	84	203	45	84	119	51	99	9	209	224	120	60	45	305	95
50	97	203	51	84	119	51	99	9	242	224	137	69	45	305	95
63	124	225	65	106	119	51	99	9	302	224	179	89	45	305	95

d [mm]	L7 [mm]	M	closest inch
16	48	6	$\frac{3}{8}$
20	48	6	$\frac{1}{2}$
25	48	6	$\frac{3}{4}$
32	48	6	1
40	59	8	1 $\frac{1}{4}$
50	59	8	1 $\frac{1}{2}$
63	59	8	2



PVC-U metric

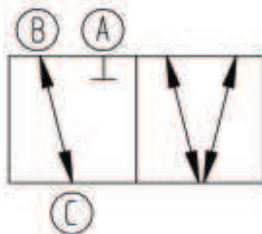
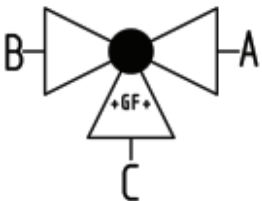


3-Way ball valve type 285 PVC-U Horizontal/T-port Without manual override With solvent cement sockets metric



Model:

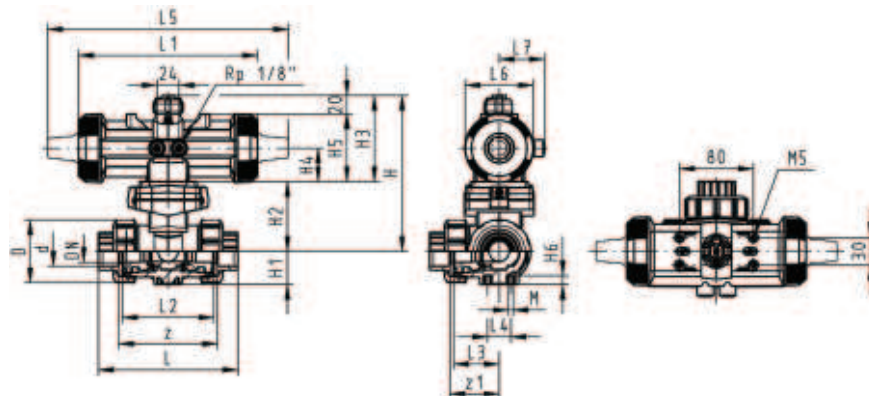
- Built on with pneumatic actuator PA11 (DN10/15-25), PA21 (DN32-50)
- Actuator fails safe to the closed position FC
- Basic position B-C opened, activated position A-B-C opened, see flow scheme
- Control time 90°<) 1-3 s
- For easy installation and removal
- Integrated stainless steel mounting inserts



d [mm]	DN [mm]	PN	kv-value (Δp=1 bar) [l/min]	EPDM Code	FPM Code
16	10	10	140	199 285 062	199 285 072
20	15	10	200	199 285 063	199 285 073
25	20	10	470	199 285 064	199 285 074
32	25	10	793	199 285 065	199 285 075
40	32	10	1290	199 285 066	199 285 076
50	40	10	1910	199 285 067	199 285 077
63	50	10	3100	199 285 068	199 285 078

d [mm]	D [mm]	H [mm]	H1 [mm]	H2 [mm]	H3 [mm]	H4 [mm]	H5 [mm]	H6 [mm]	L [mm]	L1 [mm]	L2 [mm]	L3 [mm]	L4 [mm]	L5 [mm]	L6 [mm]
16	50	159	28	62	97	40	77	8	109	194	73	36	25	261	76
20	50	159	28	62	97	40	77	8	112	194	73	36	25	261	76
25	58	168	32	71	97	40	77	8	131	194	86	43	25	261	76
32	68	168	36	71	97	40	77	8	151	194	99	50	25	261	76
40	84	203	45	84	119	51	99	9	181	224	120	60	45	305	95
50	97	203	51	84	119	51	99	9	205	224	137	69	45	305	95
63	124	225	65	106	119	51	99	9	261	224	179	89	45	305	95

d [mm]	L7 [mm]	M	z [mm]	z1 [mm]	closest inch
16	48	6	81	40	3/8
20	48	6	81	40	1/2
25	48	6	94	47	3/4
32	48	6	107	54	1
40	59	8	130	65	1 1/4
50	59	8	143	72	1 1/2
63	59	8	185	92	2



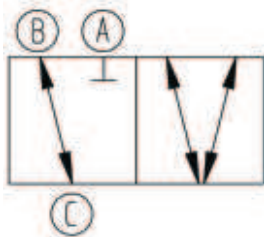
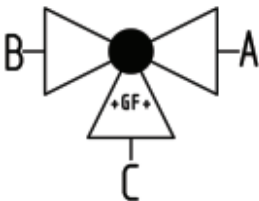
PVC-U metric



3-Way ball valve type 285 PVC-U Horizontal/T-port Without manual override With solvent cement spigots metric

Model:

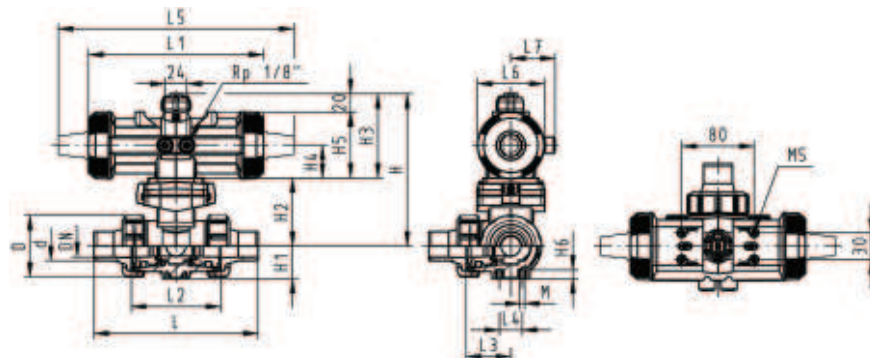
- Built on with pneumatic actuator PA11 (DN10/15-25), PA21 (DN32-50)
- Actuator fails safe to the closed position FC
- Basic position B-C opened, activated position A-B-C opened, see flow scheme
- Control time 90° < 1-3 s
- For easy installation and removal
- Integrated stainless steel mounting inserts



d [mm]	DN [mm]	PN	kv-value (Δp=1 bar) [l/min]	EPDM Code	FPM Code
16	10	10	140	199 285 042	199 285 052
20	15	10	200	199 285 043	199 285 053
25	20	10	470	199 285 044	199 285 054
32	25	10	793	199 285 045	199 285 055
40	32	10	1290	199 285 046	199 285 056
50	40	10	1910	199 285 047	199 285 057
63	50	10	3100	199 285 048	199 285 058

d [mm]	D [mm]	H [mm]	H1 [mm]	H2 [mm]	H3 [mm]	H4 [mm]	H5 [mm]	H6 [mm]	L [mm]	L1 [mm]	L2 [mm]	L3 [mm]	L4 [mm]	L5 [mm]	L6 [mm]
16	50	159	28	62	97	40	77	8	131	194	73	36	25	261	76
20	50	159	28	62	97	40	77	8	141	194	73	36	25	261	76
25	58	168	32	71	97	40	77	8	165	194	86	43	25	261	76
32	68	168	36	71	97	40	77	8	182	194	99	50	25	261	76
40	84	203	45	84	119	51	99	9	209	224	120	60	45	305	95
50	97	203	51	84	119	51	99	9	242	224	137	69	45	305	95
63	124	225	65	106	119	51	99	9	302	224	179	89	45	305	95

d [mm]	L7 [mm]	M	closest inch
16	48	6	3/8
20	48	6	1/2
25	48	6	3/4
32	48	6	1
40	59	8	1 1/4
50	59	8	1 1/2
63	59	8	2



PVC-U metric

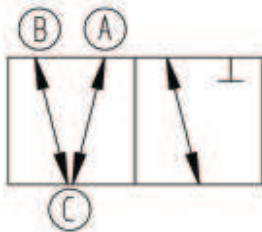
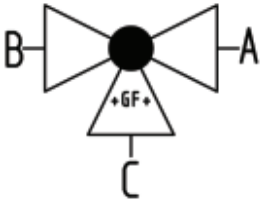


3-Way ball valve type 285 PVC-U Horizontal/T-port DA (Double acting) Without manual override With solvent cement sockets metric



Model:

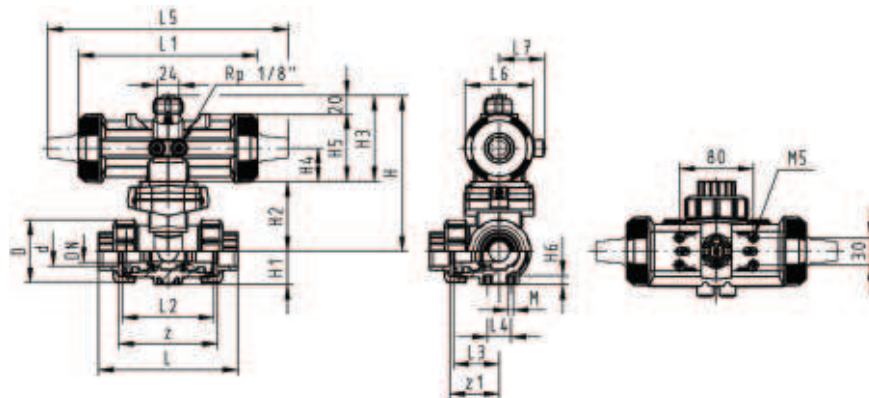
- Built on with pneumatic actuator PA11 (DN10/15-25), PA21 (DN32-50)
- Basic position A-B-C opened, activated position B-C opened, see flow scheme
- Control time $90^\circ <$ 1-3 s
- For easy installation and removal
- Integrated stainless steel mounting inserts



d [mm]	DN [mm]	PN	kv-value ($\Delta p=1$ bar) [l/min]	EPDM Code	FPM Code
16	10	10	140	199 285 242	199 285 252
20	15	10	200	199 285 243	199 285 253
25	20	10	470	199 285 244	199 285 254
32	25	10	793	199 285 245	199 285 255
40	32	10	1290	199 285 246	199 285 256
50	40	10	1910	199 285 247	199 285 257
63	50	10	3100	199 285 248	199 285 258

d [mm]	D [mm]	H [mm]	H1 [mm]	H2 [mm]	H3 [mm]	H4 [mm]	H5 [mm]	H6 [mm]	L [mm]	L1 [mm]	L2 [mm]	L3 [mm]	L4 [mm]	L5 [mm]	L6 [mm]
16	50	159	28	62	97	40	77	8	109	194	73	36	25	261	76
20	50	159	28	62	97	40	77	8	112	194	73	36	25	261	76
25	58	168	32	71	97	40	77	8	131	194	86	43	25	261	76
32	68	168	36	71	97	40	77	8	151	194	99	50	25	261	76
40	84	203	45	84	119	51	99	9	181	224	120	60	45	305	95
50	97	203	51	84	119	51	99	9	205	224	137	69	45	305	95
63	124	225	65	106	119	51	99	9	261	224	179	89	45	305	95

d [mm]	L7 [mm]	M	z [mm]	z1 [mm]	closest inch
16	48	6	81	40	$\frac{3}{8}$
20	48	6	81	40	$\frac{1}{2}$
25	48	6	94	47	$\frac{3}{4}$
32	48	6	107	54	1
40	59	8	130	65	$1 \frac{1}{4}$
50	59	8	143	72	$1 \frac{1}{2}$
63	59	8	185	92	2



PVC-U metric

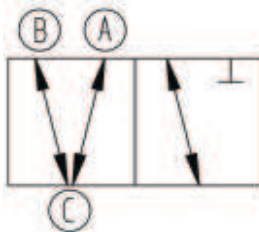
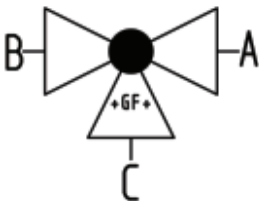


3-Way ball valve type 285 PVC-U Horizontal/T-port DA (Double acting) Without manual override With solvent cement spigots metric



Model:

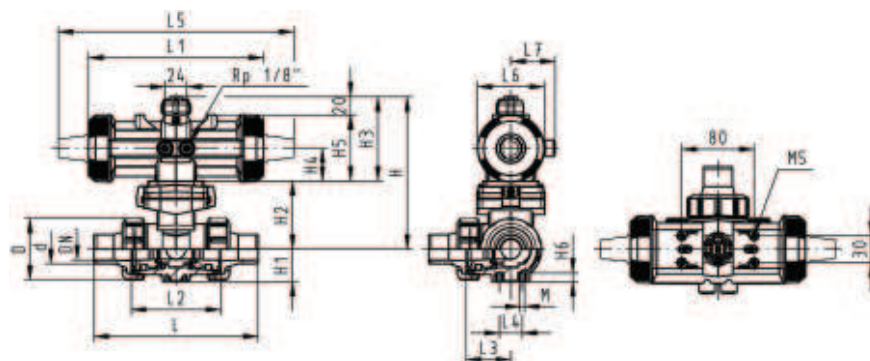
- Built on with pneumatic actuator PA11 (DN10/15-25), PA21 (DN32-50)
- Basic position A-B-C opened, activated position B-C opened, see flow scheme
- Control time 90°<) 1-3 s
- For easy installation and removal
- Integrated stainless steel mounting inserts



d [mm]	DN [mm]	PN	kv-value (Δp=1 bar) [l/min]	EPDM Code	FPM Code
16	10	10	140	199 285 222	199 285 232
20	15	10	200	199 285 223	199 285 233
25	20	10	470	199 285 224	199 285 234
32	25	10	793	199 285 225	199 285 235
40	32	10	1290	199 285 226	199 285 236
50	40	10	1910	199 285 227	199 285 237
63	50	10	3100	199 285 228	199 285 238

d [mm]	D [mm]	H [mm]	H1 [mm]	H2 [mm]	H3 [mm]	H4 [mm]	H5 [mm]	H6 [mm]	L [mm]	L1 [mm]	L2 [mm]	L3 [mm]	L4 [mm]	L5 [mm]	L6 [mm]
16	50	159	28	62	97	40	77	8	131	194	73	36	25	261	76
20	50	159	28	62	97	40	77	8	141	194	73	36	25	261	76
25	58	168	32	71	97	40	77	8	165	194	86	43	25	261	76
32	68	168	36	71	97	40	77	8	182	194	99	50	25	261	76
40	84	203	45	84	119	51	99	9	209	224	120	60	45	305	95
50	97	203	51	84	119	51	99	9	242	224	137	69	45	305	95
63	124	225	65	106	119	51	99	9	302	224	179	89	45	305	95

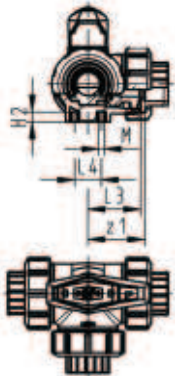
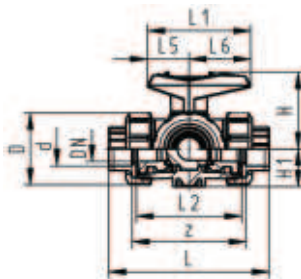
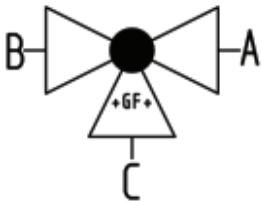
d [mm]	L7 [mm]	M	closest inch
16	48	6	3/8
20	48	6	1/2
25	48	6	3/4
32	48	6	1
40	59	8	1 1/4
50	59	8	1 1/2
63	59	8	2



PVC-U metric silicone free/paintcompatible and oil free

Ball valves

3-Way ball valve type 543 PVC-U SF Horizontal/L-port With solvent cement sockets metric



Model:

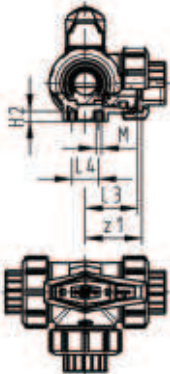
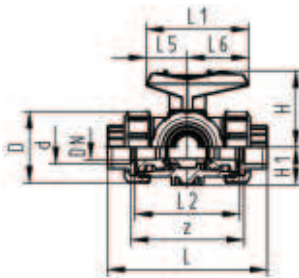
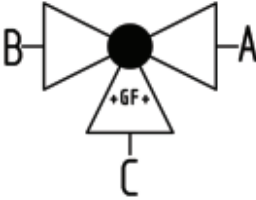
- For easy installation and removal (valve end and union nut are compatible with type 546)
- Ball seals PVDF
- Pneumatic or electric actuator available separately
- Angle of operation 360° without turn limiter
- Turn limiter 90° enclosed, in different positions usable as a clip-on ring
- Integrated stainless steel mounting inserts
- Silicone free / paint-compatible
- Delivery status A-C opened, see flow scheme

d [mm]	DN [mm]	PN	kv-value (Δp=1 bar) [l/min]	EPDM Code	FPM Code
16	10	10	50	161 543 141	161 543 151
20	15	10	75	161 543 142	161 543 152
25	20	10	150	161 543 143	161 543 153
32	25	10	280	161 543 144	161 543 154
40	32	10	480	161 543 145	161 543 155
50	40	10	620	161 543 146	161 543 156
63	50	10	1230	161 543 147	161 543 157

d [mm]	D [mm]	L [mm]	L1 [mm]	L2 [mm]	L3 [mm]	L4 [mm]	L5 [mm]	L6 [mm]	H [mm]	H1 [mm]	H2 [mm]	M	z [mm]	z1 [mm]	closest inch
16	50	109	77	73	36	25	32	45	57	28	8	6	81	40	3/8
20	50	112	77	73	36	25	32	45	57	28	8	6	81	40	1/2
25	58	131	97	86	43	25	39	58	67	32	8	6	94	47	3/4
32	68	151	97	99	50	25	39	58	73	36	8	6	107	54	1
40	84	181	128	120	60	45	54	74	90	45	9	8	130	65	1 1/4
50	97	205	128	137	69	45	54	74	97	51	9	8	143	72	1 1/2
63	124	261	152	179	89	45	66	87	116	65	9	8	185	92	2

PVC-U metric silicone free/paintcompatible and oil free

3-Way ball valve type 543 PVC-U SF Horizontal/T-port With solvent cement sockets metric



Model:

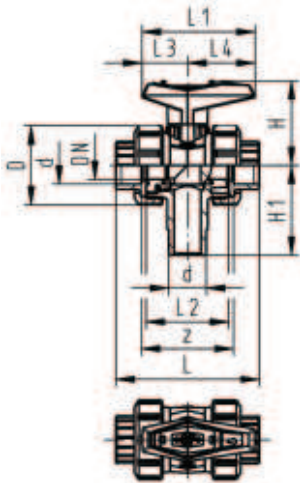
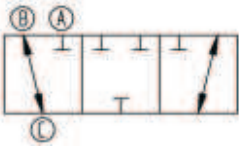
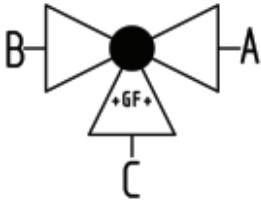
- For easy installation and removal (valve end and union nut are compatible with type 546)
- Ball seals PVDF
- Pneumatic or electric actuator available separately
- Angle of operation 360° without turn limiter
- Turn limiter 90° enclosed, in different positions usable as a clip-on ring
- Integrated stainless steel mounting inserts
- Silicone free / paint-compatible
- Delivery status A-B-C opened, see flow scheme

d [mm]	DN [mm]	PN	kv-value (Δp=1 bar) [l/min]	EPDM Code	FPM Code
16	10	10	140	161 543 341	161 543 351
20	15	10	200	161 543 342	161 543 352
25	20	10	470	161 543 343	161 543 353
32	25	10	793	161 543 344	161 543 354
40	32	10	1290	161 543 345	161 543 355
50	40	10	1910	161 543 346	161 543 356
63	50	10	3100	161 543 347	161 543 357

d [mm]	D [mm]	L [mm]	L1 [mm]	L2 [mm]	L3 [mm]	L4 [mm]	L5 [mm]	L6 [mm]	H [mm]	H1 [mm]	H2 [mm]	M	z [mm]	z1 [mm]	closest inch
16	50	109	77	73	36	25	32	45	57	28	8	6	81	40	3/8
20	50	112	77	73	36	25	32	45	57	28	8	6	81	40	1/2
25	58	131	97	86	43	25	39	58	67	32	8	6	94	47	3/4
32	68	151	97	99	50	25	39	58	73	36	8	6	107	54	1
40	84	181	128	120	60	45	54	74	90	45	9	8	130	65	1 1/4
50	97	205	128	137	69	45	54	74	97	51	9	8	143	72	1 1/2
63	124	261	152	179	89	45	66	87	116	65	9	8	185	92	2

PVC-U metric silicone free/paintcompatible and oil free

3-Way ball valve type 543 PVC-U SF Vertical/L-port With solvent cement sockets metric



Model:

- Vertical inlet solvent cement spigot metric
- Easy installation and removal using union on third outlet
- Ball seals PVDF
- Electric actuator available separately
- Angle of operation 360° without turn limiter
- Silicone free / paint-compatible
- Delivery status B-C opened, see flow scheme

Mode of action:

- For interconnection of two inputs

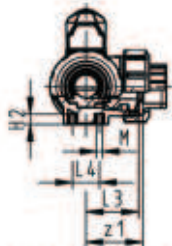
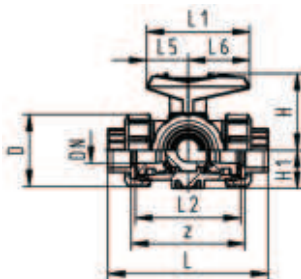
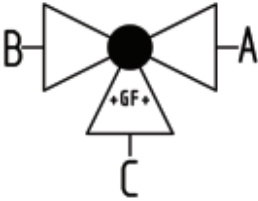
d [mm]	DN [mm]	PN	kv-value ($\Delta p=1$ bar) [l/min]	EPDM Code	FPM Code
16	10	10	49	161 543 781	161 543 791
20	15	10	77	161 543 782	161 543 792
25	20	10	146	161 543 783	161 543 793
32	25	10	260	161 543 784	161 543 794
40	32	10	437	161 543 785	161 543 795
50	40	10	667	161 543 786	161 543 796
63	50	10	1293	161 543 787	161 543 797

d [mm]	D [mm]	L [mm]	L1 [mm]	L2 [mm]	L3 [mm]	L4 [mm]	H [mm]	H1 [mm]	z [mm]	closest inch
16	50	92	77	56	32	45	57	62	64	3/8
20	50	95	77	56	32	45	57	62	64	1/2
25	58	111	97	66	39	58	67	72	74	3/4
32	68	123	97	71	39	58	73	77	79	1
40	84	146	128	85	54	74	90	87	95	1 1/4
50	97	157	128	89	54	74	97	97	95	1 1/2
63	124	183	152	101	66	87	116	112	107	2

PVC-U Inch BS

Ball valves

3-Way ball valve type 543 PVC-U Horizontal/L-port With solvent cement sockets BS



Model:

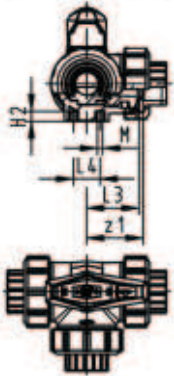
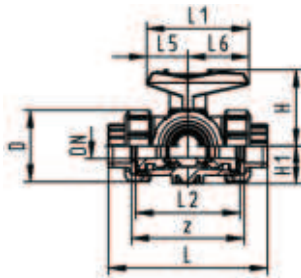
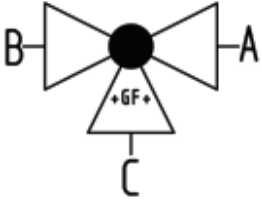
- For easy installation and removal (valve end and union nut are compatible with type 546)
- Ball seals PTFE
- Pneumatic or electric actuator available separately
- Angle of operation 360° without turn limiter
- Turn limiter 90° enclosed, in different positions usable as a clip-on ring
- Integrated stainless steel mounting inserts
- Delivery status A-C opened, see flow scheme

Inch	DN [mm]	PN	kv-value ($\Delta p=1$ bar) [l/min]	EPDM Code	FPM Code
3/8	10	10	50	161 543 061	161 543 071
1/2	15	10	75	161 543 062	161 543 072
3/4	20	10	150	161 543 063	161 543 073
1	25	10	280	161 543 064	161 543 074
1 1/4	32	10	480	161 543 065	161 543 075
1 1/2	40	10	620	161 543 066	161 543 076
2	50	10	1230	161 543 067	161 543 077

Inch	D [mm]	L [mm]	L1 [mm]	L2 [mm]	L3 [mm]	L4 [mm]	L5 [mm]	L6 [mm]	H [mm]	H1 [mm]	H2 [mm]	M	z [mm]	z1 [mm]
3/8	50	109	77	73	36	25	32	45	57	28	8	6	77	38
1/2	50	112	77	73	36	25	32	45	57	28	8	6	77	38
3/4	58	131	97	86	43	25	39	58	67	32	8	6	90	45
1	68	151	97	99	50	25	39	58	73	36	8	6	103	52
1 1/4	84	181	128	120	60	45	54	74	90	45	9	8	124	62
1 1/2	97	205	128	137	69	45	54	74	97	51	9	8	145	73
2	124	261	152	179	89	45	66	87	116	65	9	8	189	94

PVC-U Inch BS

3-Way ball valve type 543 PVC-U Horizontal/T-port With solvent cement sockets BS



Model:

- For easy installation and removal (valve end and union nut are compatible with type 546)
- Ball seals PTFE
- Pneumatic or electric actuator available separately
- Angle of operation 360° without turn limiter
- Turn limiter 90° enclosed, in different positions usable as a clip-on ring
- Integrated stainless steel mounting inserts
- Delivery status A-B-C opened, see flow scheme

Inch	DN [mm]	PN	kv-value ($\Delta p=1$ bar) [l/min]	EPDM Code	FPM Code
3/8	10	10	140	161 543 261	161 543 271
1/2	15	10	200	161 543 262	161 543 272
3/4	20	10	470	161 543 263	161 543 273
1	25	10	793	161 543 264	161 543 274
1 1/4	32	10	1290	161 543 265	161 543 275
1 1/2	40	10	1910	161 543 266	161 543 276
2	50	10	3100	161 543 267	161 543 277

Inch	D [mm]	L [mm]	L1 [mm]	L2 [mm]	L3 [mm]	L4 [mm]	L5 [mm]	L6 [mm]	H [mm]	H1 [mm]	H2 [mm]	M	z [mm]	z1 [mm]
3/8	50	109	77	73	36	25	32	45	57	28	8	6	77	38
1/2	50	112	77	73	36	25	32	45	57	28	8	6	77	38
3/4	58	131	97	86	43	25	39	58	67	32	8	6	90	45
1	68	151	97	99	50	25	39	58	73	36	8	6	103	52
1 1/4	84	181	128	120	60	45	54	74	90	45	9	8	124	62
1 1/2	97	205	128	137	69	45	54	74	97	51	9	8	145	73
2	124	261	152	179	89	45	66	87	116	65	9	8	189	94

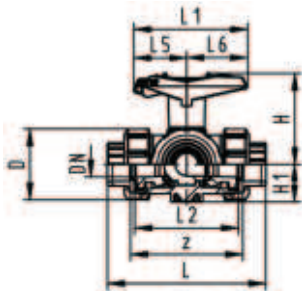
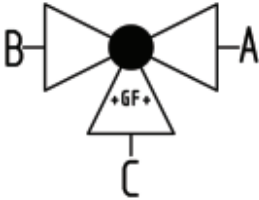
PVC-U Inch BS



3-Way ball valve type 543 PVC-U Horizontal/L-port With lockable handle With solvent cement sockets BS

Model:

- For easy installation and removal (valve end and union nut are compatible with type 546)
- Ball seals PTFE
- Pneumatic or electric actuator available separately
- Angle of operation 360° without turn limiter
- Turn limiter 90° enclosed, in different positions usable as a clip-on ring
- Integrated stainless steel mounting inserts
- Multifunctional lever red with ratched setting 45°, lockable
- Delivery status A-C opened, see flow scheme

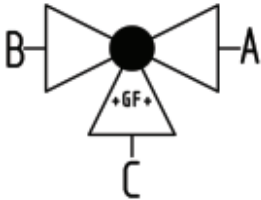


Inch	DN [mm]	PN	kv-value ($\Delta p=1$ bar) [l/min]	EPDM Code	FPM Code
3/8	10	10	50	161 543 861	161 543 871
1/2	15	10	75	161 543 862	161 543 872
3/4	20	10	150	161 543 863	161 543 873
1	25	10	280	161 543 864	161 543 874
1 1/4	32	10	480	161 543 865	161 543 875
1 1/2	40	10	620	161 543 866	161 543 876
2	50	10	1230	161 543 867	161 543 877

Inch	D [mm]	L [mm]	L1 [mm]	L2 [mm]	L3 [mm]	L4 [mm]	L5 [mm]	L6 [mm]	H [mm]	H1 [mm]	H2 [mm]	M	z [mm]	z1 [mm]
3/8	50	109	87	73	36	25	42	45	79	28	8	6	77	38
1/2	50	112	87	73	36	25	42	45	79	28	8	6	77	38
3/4	58	131	108	86	43	25	50	58	88	32	8	6	90	45
1	68	151	108	99	50	25	50	58	94	36	8	6	103	52
1 1/4	84	181	141	120	60	45	66	75	113	45	9	8	124	62
1 1/2	97	205	141	137	69	45	66	75	119	51	9	8	145	73
2	124	261	165	179	89	45	78	87	141	65	9	8	189	94

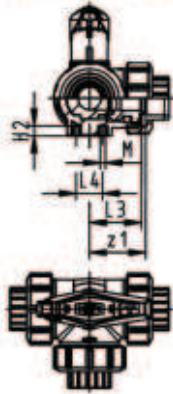
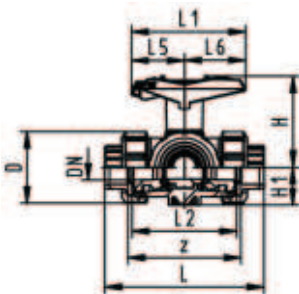
PVC-U Inch BS

3-Way ball valve type 543 PVC-U Horizontal/T-port With lockable handle With solvent cement sockets BS



Model:

- For easy installation and removal (valve end and union nut are compatible with type 546)
- Ball seals PTFE
- Pneumatic or electric actuator available separately
- Angle of operation 360° without turn limiter
- Turn limiter 90° enclosed, in different positions usable as a clip-on ring
- Integrated stainless steel mounting inserts
- Multifunctional lever red with ratched setting 45°, lockable
- Delivery status A-B-C opened, see flow scheme



Inch	DN [mm]	PN	kv-value ($\Delta p=1$ bar) [l/min]	EPDM Code	FPM Code
3/8	10	10	140	161 543 881	161 543 891
1/2	15	10	200	161 543 882	161 543 892
3/4	20	10	470	161 543 883	161 543 893
1	25	10	793	161 543 884	161 543 894
1 1/4	32	10	1290	161 543 885	161 543 895
1 1/2	40	10	1910	161 543 886	161 543 896
2	50	10	3100	161 543 887	161 543 897

Inch	D [mm]	L [mm]	L1 [mm]	L2 [mm]	L3 [mm]	L4 [mm]	L5 [mm]	L6 [mm]	H [mm]	H1 [mm]	H2 [mm]	M	z [mm]	z1 [mm]
3/8	50	109	87	73	36	25	42	45	79	28	8	6	77	38
1/2	50	112	87	73	36	25	42	45	79	28	8	6	77	38
3/4	58	131	108	86	43	25	50	58	88	32	8	6	90	45
1	68	151	108	99	50	25	50	58	94	36	8	6	103	52
1 1/4	84	181	141	120	60	45	66	75	113	45	9	8	124	62
1 1/2	97	205	141	137	69	45	66	75	119	51	9	8	145	73
2	124	261	165	179	89	45	78	87	141	65	9	8	189	94

PVC-U Inch BS

3-Way ball valve type 543 PVC-U Vertical/L-port With solvent cement sockets BS

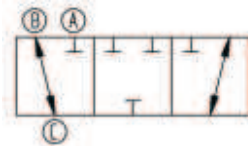
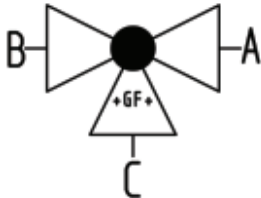


Model:

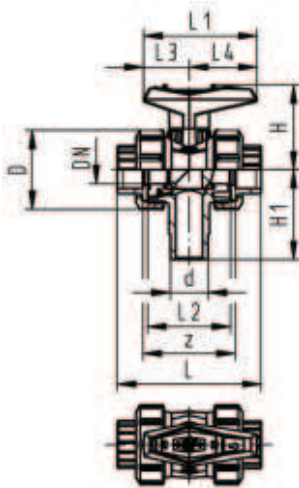
- Vertical inlet solvent cement spigot metric
- Easy installation and removal using union on third outlet
- Ball seals PTFE
- Electric actuator available separately
- Angle of operation 360° without turn limiter
- Delivery status B-C opened, see flow scheme

Mode of action:

- For interconnection of two inputs



Inch	DN [mm]	PN	kv-value ($\Delta p=1$ bar) [l/min]	EPDM Code	FPM Code
3/8	10	10	49	161 543 601	161 543 611
1/2	15	10	77	161 543 602	161 543 612
3/4	20	10	146	161 543 603	161 543 613
1	25	10	260	161 543 604	161 543 614
1 1/4	32	10	437	161 543 605	161 543 615
1 1/2	40	10	667	161 543 606	161 543 616
2	50	10	1293	161 543 607	161 543 617

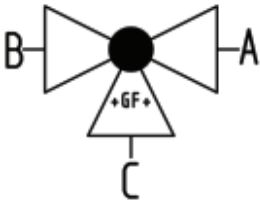


Inch	D [mm]	L [mm]	L1 [mm]	L2 [mm]	L3 [mm]	L4 [mm]	H [mm]	H1 [mm]	z [mm]
3/8	50	92	77	56	32	45	57	62	60
1/2	50	95	77	56	32	45	57	62	60
3/4	58	111	97	66	39	58	67	72	69
1	68	123	97	71	39	58	73	77	75
1 1/4	84	146	128	85	54	74	90	87	89
1 1/2	97	157	128	89	54	74	97	97	97
2	124	183	152	101	66	87	116	112	110

PVC-U Inch BS

Ball valves electric

**3-Way ball valve type 185 PVC-U
Horizontal/L-port 100-230V
With manual emergency override
With solvent cement sockets BS**



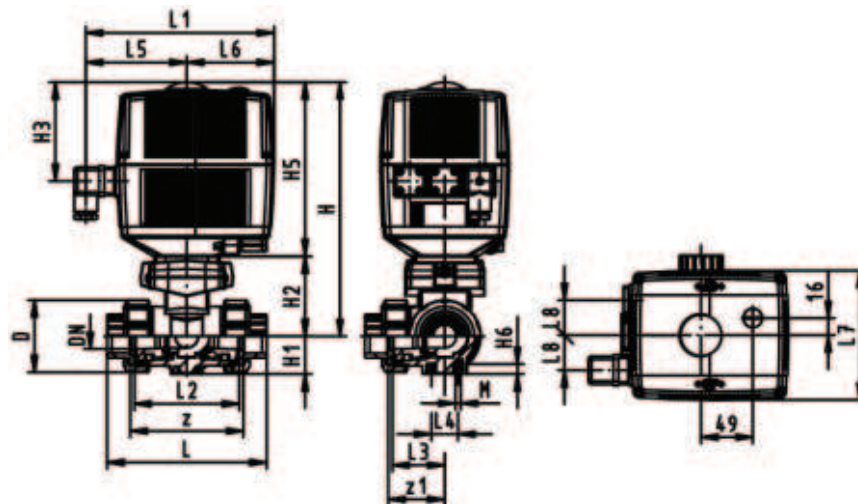
Model:

- Built on with electric actuator EA21
- Voltage 100-230 V, 50-60 Hz
- Control range 90°<
- Basic position A-C opened, activated position B-C opened, see flow scheme
- Other positions possible by adjusting the limit switches
- Control time 5 s/90°<
- For easy installation and removal
- Integrated stainless steel mounting inserts

Inch	DN [mm]	PN	kv-value (Δp=1 bar) [l/min]	EPDM Code	FPM Code
3/8	10	10	50	199 185 742	199 185 752
1/2	15	10	75	199 185 743	199 185 753
3/4	20	10	150	199 185 744	199 185 754
1	25	10	280	199 185 745	199 185 755
1 1/4	32	10	480	199 185 746	199 185 756
1 1/2	40	10	620	199 185 747	199 185 757
2	50	10	1230	199 185 748	199 185 758

Inch	D [mm]	H [mm]	H1 [mm]	H2 [mm]	H3 [mm]	H5 [mm]	H6 [mm]	L [mm]	L1 [mm]	L2 [mm]	L3 [mm]	L4 [mm]	L5 [mm]	L6 [mm]	L7 [mm]
3/8	50	231	28	64	94	167	8	109	180	73	36	25	97	83	122
1/2	50	231	28	64	94	167	8	112	180	73	36	25	97	83	122
3/4	58	240	32	73	94	167	8	131	180	86	43	25	97	83	122
1	68	240	36	73	94	167	8	151	180	99	50	25	97	83	122
1 1/4	84	251	45	84	94	167	9	181	180	120	60	45	97	83	122
1 1/2	97	251	51	84	94	167	9	205	180	137	69	45	97	83	122
2	124	273	65	106	94	167	9	261	180	179	89	45	97	83	122

Inch	L8 [mm]	M	z [mm]	z1 [mm]
3/8	33	6	77	38
1/2	33	6	77	38
3/4	33	6	90	45
1	33	6	103	52
1 1/4	33	8	124	62
1 1/2	33	8	145	73
2	33	8	189	94



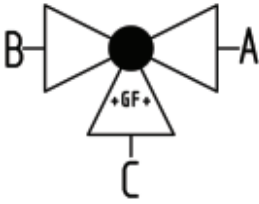
PVC-U Inch BS



**3-Way ball valve type 185 PVC-U
Horizontal/L-port 24V
With manual emergency override
With solvent cement sockets BS**

Model:

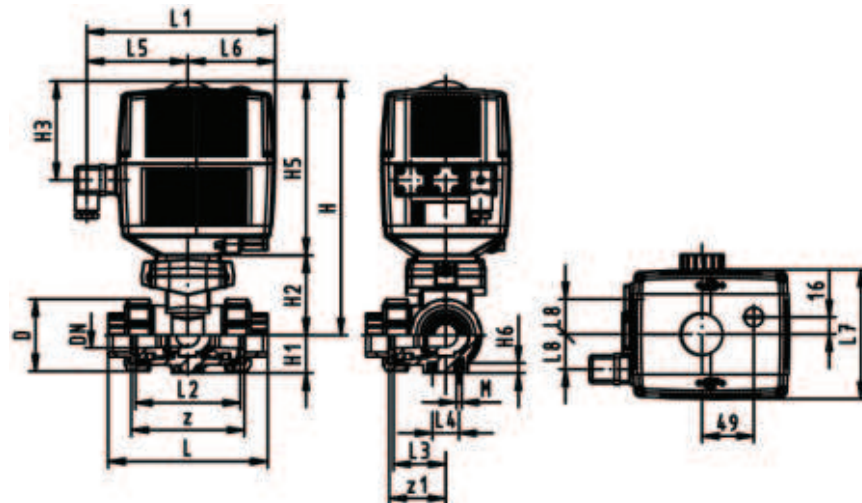
- Built on with electric actuator EA21
- Voltage 24 V AC/DC
- Control range 90°<
- Basic position A-C opened, activated position B-C opened, see flow scheme
- Other positions possible by adjusting the limit switches
- Control time 5 s/90°<
- For easy installation and removal
- Integrated stainless steel mounting inserts



Inch	DN [mm]	PN	kv-value (Δp=1 bar) [l/min]	EPDM Code	FPM Code
3/8	10	10	50	199 185 762	199 185 772
1/2	15	10	75	199 185 763	199 185 773
3/4	20	10	150	199 185 764	199 185 774
1	25	10	280	199 185 765	199 185 775
1 1/4	32	10	480	199 185 766	199 185 776
1 1/2	40	10	620	199 185 767	199 185 777
2	50	10	1230	199 185 768	199 185 778

Inch	D [mm]	H [mm]	H1 [mm]	H2 [mm]	H3 [mm]	H5 [mm]	H6 [mm]	L [mm]	L1 [mm]	L2 [mm]	L3 [mm]	L4 [mm]	L5 [mm]	L6 [mm]	L7 [mm]
3/8	50	231	28	64	94	167	8	109	180	73	36	25	97	83	122
1/2	50	231	28	64	94	167	8	112	180	73	36	25	97	83	122
3/4	58	240	32	73	94	167	8	131	180	86	43	25	97	83	122
1	68	240	36	73	94	167	8	151	180	99	50	25	97	83	122
1 1/4	84	251	45	84	94	167	9	181	180	120	60	45	97	83	122
1 1/2	97	251	51	84	94	167	9	205	180	137	69	45	97	83	122
2	124	273	65	106	94	167	9	261	180	179	89	45	97	83	122

Inch	L8 [mm]	M	z [mm]	z1 [mm]
3/8	33	6	77	38
1/2	33	6	77	38
3/4	33	6	90	45
1	33	6	103	52
1 1/4	33	8	124	62
1 1/2	33	8	145	73
2	33	8	189	94



PVC-U Inch BS



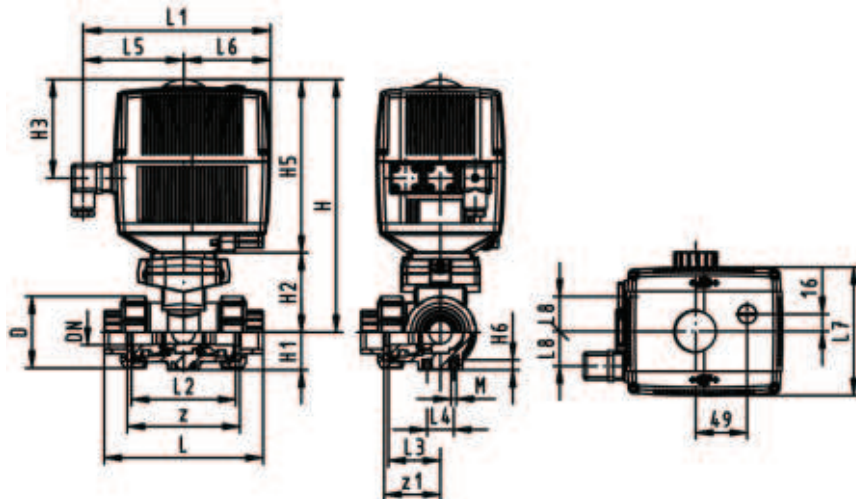
3-Way ball valve type 185 PVC-U Horizontal/T-port 100-230V With manual emergency override With solvent cement sockets ASTM



Model:

- Built on with electric actuator EA21
- Voltage 100-230 V, 50-60 Hz
- Control range 90°<
- Basic position A-B-C opened, activated position B-C opened, see flow scheme
- Other positions possible by adjusting the limit switches
- Control time 5 s/90°<
- For easy installation and removal
- Integrated stainless steel mounting inserts

Inch	DN [mm]	PN	kv-value ($\Delta p=1$ bar) [l/min]	EPDM Code	FPM Code												
Inch	D [mm]	H [mm]	H1 [mm]	H2 [mm]	H3 [mm]	H5 [mm]	H6 [mm]	L [mm]	L1 [mm]	L2 [mm]	L3 [mm]	L4 [mm]	L5 [mm]	L6 [mm]	L7 [mm]		
Inch	L8 [mm]	M	z [mm]	z1 [mm]													



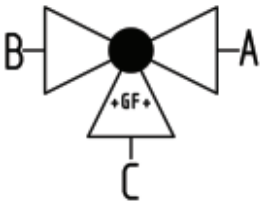
PVC-U Inch BS



3-Way ball valve type 185 PVC-U Horizontal/T-port 24V With manual emergency override With solvent cement sockets BS

Model:

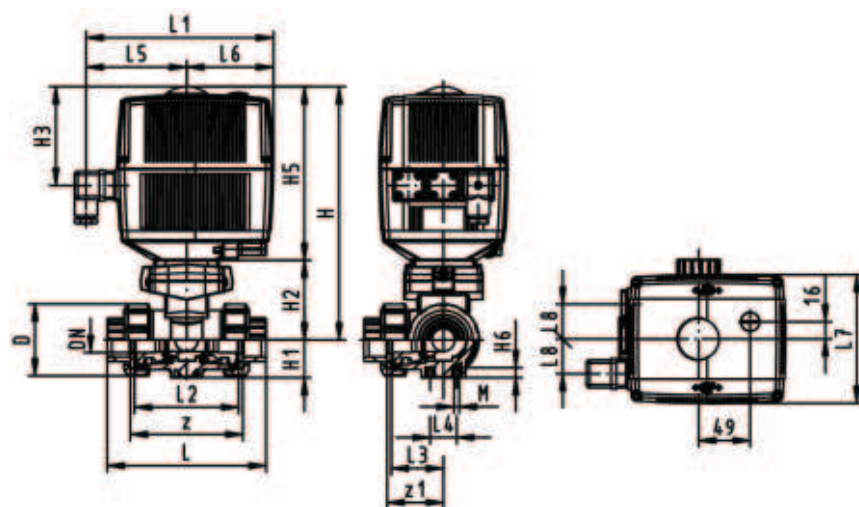
- Built on with electric actuator EA21
- Voltage 24 V AC/DC
- Control range 90°<
- Basic position A-B-C opened, activated position B-C opened, see flow scheme
- Other positions possible by adjusting the limit switches
- Control time 5 s/90°<
- For easy installation and removal
- Integrated stainless steel mounting inserts



Inch	DN [mm]	PN	kv-value (Δp=1 bar) [l/min]	EPDM Code	FPM Code
3/8	10	10	140	199 185 722	199 185 732
1/2	15	10	200	199 185 723	199 185 733
3/4	20	10	470	199 185 724	199 185 734
1	25	10	793	199 185 725	199 185 735
1 1/4	32	10	1290	199 185 726	199 185 736
1 1/2	40	10	1910	199 185 727	199 185 737
2	50	10	3100	199 185 728	199 185 738

Inch	D [mm]	H [mm]	H1 [mm]	H2 [mm]	H3 [mm]	H5 [mm]	H6 [mm]	L [mm]	L1 [mm]	L2 [mm]	L3 [mm]	L4 [mm]	L5 [mm]	L6 [mm]	L7 [mm]
3/8	50	231	28	64	94	167	8	109	180	73	36	25	97	83	122
1/2	50	231	28	64	94	167	8	112	180	73	36	25	97	83	122
3/4	58	240	32	73	94	167	8	131	180	86	43	25	97	83	122
1	68	240	36	73	94	167	8	151	180	99	50	25	97	83	122
1 1/4	84	251	45	84	94	167	9	181	180	120	60	45	97	83	122
1 1/2	97	251	51	84	94	167	9	205	180	137	69	45	97	83	122
2	124	273	65	106	94	167	9	261	180	179	89	45	97	83	122

Inch	L8 [mm]	M	z [mm]	z1 [mm]
3/8	33	6	77	38
1/2	33	6	77	38
3/4	33	6	90	45
1	33	6	103	52
1 1/4	33	8	124	62
1 1/2	33	8	145	73
2	33	8	189	94



PVC-U Inch BS

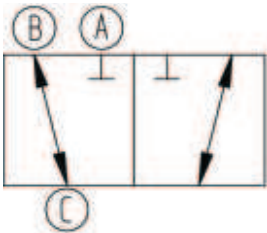
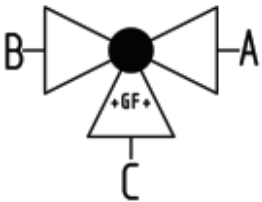
Ball valves pneumatic

3-Way ball valve type 285 PVC-U

Horizontal/L-port

Without manual override

With solvent cement sockets BS



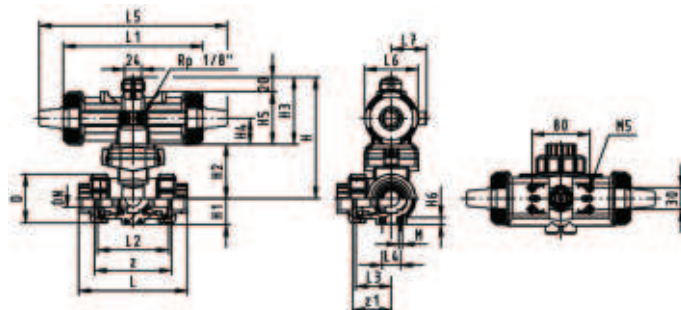
Model:

- Built on with pneumatic actuator PA11 (DN10/15-25), PA21 (DN32-50)
- Actuator fails safe to the closed position FC
- Basic position B-C opened, activated position A-C opened, see flow scheme
- Control time 90°<) 1-3 s
- For easy installation and removal
- Integrated stainless steel mounting inserts

Inch	DN [mm]	PN	kv-value (Δp=1 bar) [l/min]	EPDM Code	FPM Code
3/8	10	10	50	199 285 742	199 285 752
1/2	15	10	75	199 285 743	199 285 753
3/4	20	10	150	199 285 744	199 285 754
1	25	10	280	199 285 745	199 285 755
1 1/4	32	10	480	199 285 746	199 285 756
1 1/2	40	10	620	199 285 747	199 285 757
2	50	10	1230	199 285 748	199 285 758

Inch	D [mm]	H [mm]	H1 [mm]	H2 [mm]	H3 [mm]	H4 [mm]	H5 [mm]	H6 [mm]	L [mm]	L1 [mm]	L2 [mm]	L3 [mm]	L4 [mm]	L5 [mm]	L6 [mm]
3/8	50	159	28	62	97	40	77	8	109	194	73	36	25	261	76
1/2	50	159	28	62	97	40	77	8	112	194	73	36	25	261	76
3/4	58	168	32	71	97	40	77	8	131	194	86	43	25	261	76
1	68	168	36	71	97	40	77	8	151	194	99	50	25	261	76
1 1/4	84	203	45	84	119	51	99	9	181	224	120	60	45	305	95
1 1/2	97	203	51	84	119	51	99	9	205	224	137	69	45	305	95
2	124	225	65	106	119	51	99	9	261	224	179	89	45	305	95

Inch	L7 [mm]	M	z [mm]	z1 [mm]
3/8	48	6	77	38
1/2	48	6	77	38
3/4	48	6	90	45
1	48	6	103	52
1 1/4	59	8	124	62
1 1/2	59	8	145	73
2	59	8	189	94



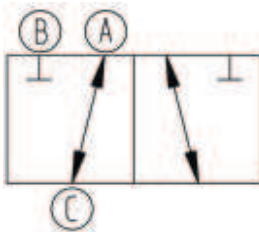
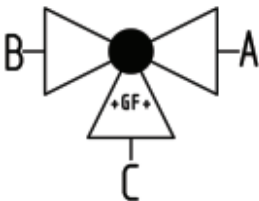
PVC-U Inch BS



3-Way ball valve type 285 PVC-U Horizontal/L-port DA (Double acting) Without manual override With solvent cement sockets BS

Model:

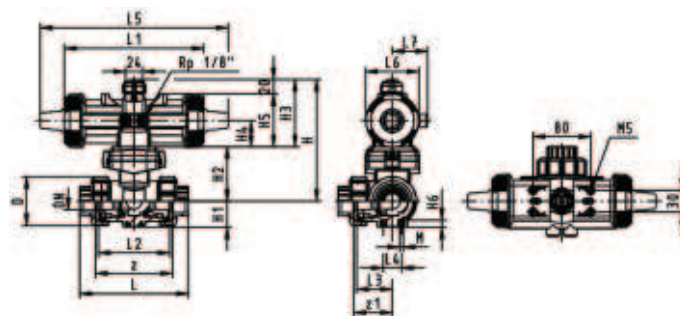
- Built on with pneumatic actuator PA11 (DN10/15-25), PA21 (DN32-50)
- Basic position A-C opened, activated position B-C opened, see flow scheme
- Control time 90°<) 1-3 s
- For easy installation and removal
- Integrated stainless steel mounting inserts



Inch	DN [mm]	PN	kv-value (Δp=1 bar) [l/min]	EPDM Code	FPM Code
3/8	10	10	50	199 285 762	199 285 772
1/2	15	10	75	199 285 763	199 285 773
3/4	20	10	150	199 285 764	199 285 774
1	25	10	280	199 285 765	199 285 775
1 1/4	32	10	480	199 285 766	199 285 776
1 1/2	40	10	620	199 285 767	199 285 777
2	50	10	1230	199 285 768	199 285 778

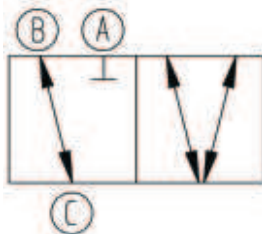
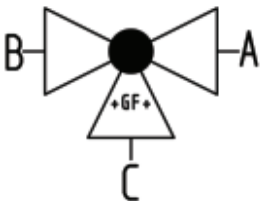
Inch	D [mm]	H [mm]	H1 [mm]	H2 [mm]	H3 [mm]	H4 [mm]	H5 [mm]	H6 [mm]	L [mm]	L1 [mm]	L2 [mm]	L3 [mm]	L4 [mm]	L5 [mm]	L6 [mm]
3/8	50	159	28	62	97	40	77	8	109	194	73	36	25	261	76
1/2	50	159	28	62	97	40	77	8	112	194	73	36	25	261	76
3/4	58	168	32	71	97	40	77	8	131	194	86	43	25	261	76
1	68	168	36	71	97	40	77	8	151	194	99	50	25	261	76
1 1/4	84	203	45	84	119	51	99	9	181	224	120	60	45	305	95
1 1/2	97	203	51	84	119	51	99	9	205	224	137	69	45	305	95
2	124	225	65	106	119	51	99	9	261	224	179	89	45	305	95

Inch	L7 [mm]	M	z [mm]	z1 [mm]
3/8	48	6	77	38
1/2	48	6	77	38
3/4	48	6	90	45
1	48	6	103	52
1 1/4	59	8	124	62
1 1/2	59	8	145	73
2	59	8	189	94



PVC-U Inch BS

3-Way ball valve type 285 PVC-U Horizontal/T-port Without manual override With solvent cement sockets BS



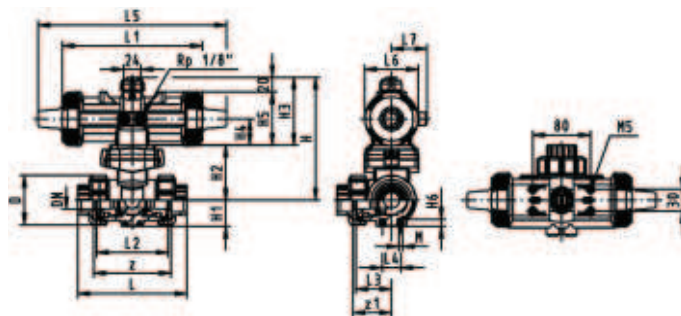
Model:

- Built on with pneumatic actuator PA11 (DN10/15-25), PA21 (DN32-50)
- Actuator fails safe to the closed position FC
- Basic position B-C opened, activated position A-B-C opened, see flow scheme
- Control time 90°< 1-3 s
- For easy installation and removal
- Integrated stainless steel mounting inserts

Inch	DN [mm]	PN	kv-value (Δp=1 bar) [l/min]	EPDM Code	FPM Code
3/8	10	10	140	199 285 702	199 285 712
1/2	15	10	200	199 285 703	199 285 713
3/4	20	10	470	199 285 704	199 285 714
1	25	10	793	199 285 705	199 285 715
1 1/4	32	10	1290	199 285 706	199 285 716
1 1/2	40	10	1910	199 285 707	199 285 717
2	50	10	3100	199 285 708	199 285 718

Inch	D [mm]	H [mm]	H1 [mm]	H2 [mm]	H3 [mm]	H4 [mm]	H5 [mm]	H6 [mm]	L [mm]	L1 [mm]	L2 [mm]	L3 [mm]	L4 [mm]	L5 [mm]	L6 [mm]
3/8	50	159	28	62	97	40	77	8	109	194	73	36	25	261	76
1/2	50	159	28	62	97	40	77	8	112	194	73	36	25	261	76
3/4	58	168	32	71	97	40	77	8	131	194	86	43	25	261	76
1	68	168	36	71	97	40	77	8	151	194	99	50	25	261	76
1 1/4	84	203	45	84	119	51	99	9	181	224	120	60	45	305	95
1 1/2	97	203	51	84	119	51	99	9	205	224	137	69	45	305	95
2	124	225	65	106	119	51	99	9	261	224	179	89	45	305	95

Inch	L7 [mm]	M	z [mm]	z1 [mm]
3/8	48	6	77	38
1/2	48	6	77	38
3/4	48	6	90	45
1	48	6	103	52
1 1/4	59	8	124	62
1 1/2	59	8	145	73
2	59	8	189	94



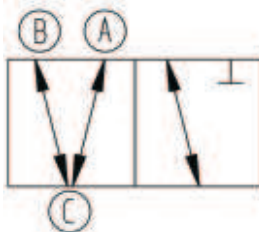
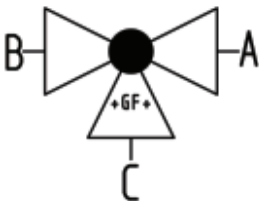
PVC-U Inch BS



3-Way ball valve type 285 PVC-U Horizontal/T-port DA (Double acting) Without manual override With solvent cement sockets BS

Model:

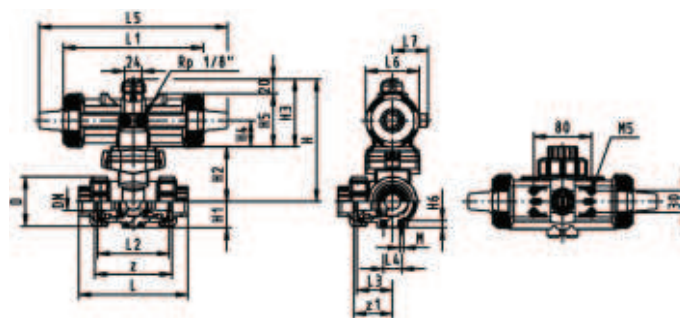
- Built on with pneumatic actuator PA11 (DN10/15-25), PA21 (DN32-50)
- Basic position A-B-C opened, activated position B-C opened, see flow scheme
- Control time 90°<) 1-3 s
- For easy installation and removal
- Integrated stainless steel mounting inserts



Inch	DN [mm]	PN	kv-value (Δp=1 bar) [l/min]	EPDM Code	FPM Code
3/8	10	10	140	199 285 722	199 285 732
1/2	15	10	200	199 285 723	199 285 733
3/4	20	10	470	199 285 724	199 285 734
1	25	10	793	199 285 725	199 285 735
1 1/4	32	10	1290	199 285 726	199 285 736
1 1/2	40	10	1910	199 285 727	199 285 737
2	50	10	3100	199 285 728	199 285 738

Inch	D [mm]	H [mm]	H1 [mm]	H2 [mm]	H3 [mm]	H4 [mm]	H5 [mm]	H6 [mm]	L [mm]	L1 [mm]	L2 [mm]	L3 [mm]	L4 [mm]	L5 [mm]	L6 [mm]
3/8	50	159	28	62	97	40	77	8	109	194	73	36	25	261	76
1/2	50	159	28	62	97	40	77	8	112	194	73	36	25	261	76
3/4	58	168	32	71	97	40	77	8	131	194	86	43	25	261	76
1	68	168	36	71	97	40	77	8	151	194	99	50	25	261	76
1 1/4	84	203	45	84	119	51	99	9	181	224	120	60	45	305	95
1 1/2	97	203	51	84	119	51	99	9	205	224	137	69	45	305	95
2	124	225	65	106	119	51	99	9	261	224	179	89	45	305	95

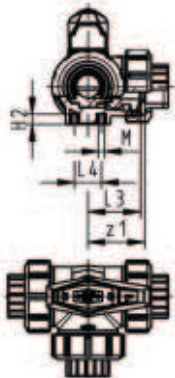
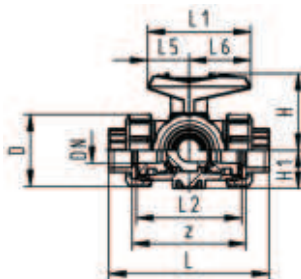
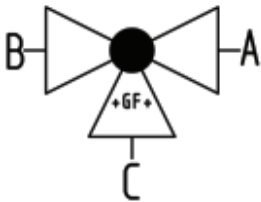
Inch	L7 [mm]	M	z [mm]	z1 [mm]
3/8	48	6	77	38
1/2	48	6	77	38
3/4	48	6	90	45
1	48	6	103	52
1 1/4	59	8	124	62
1 1/2	59	8	145	73
2	59	8	189	94



PVC-U ASTM/ANSI

Ball valves

3-Way ball valve type 543 PVC-U Horizontal/L-port With solvent cement sockets ASTM



Model:

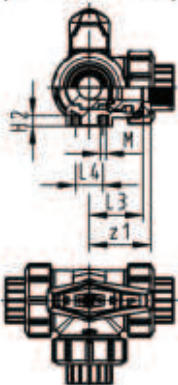
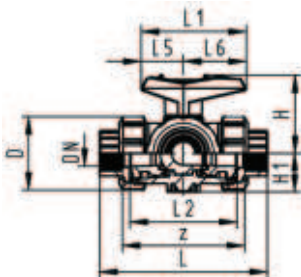
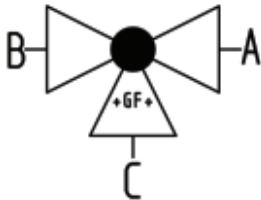
- For easy installation and removal (valve end and union nut are compatible with type 546)
- Ball seals PTFE
- Pneumatic or electric actuator available separately
- Angle of operation 360° without turn limiter
- Turn limiter 90° enclosed, in different positions usable as a clip-on ring
- Integrated stainless steel mounting inserts
- Delivery status A-C opened, see flow scheme

Inch	DN [mm]	PN	kv-value ($\Delta p=1$ bar) [l/min]	EPDM Code	FPM Code
3/8	10	10	50	161 543 081	161 543 091
1/2	15	10	75	161 543 082	161 543 092
3/4	20	10	150	161 543 083	161 543 093
1	25	10	280	161 543 084	161 543 094
1 1/4	32	10	480	161 543 085	161 543 095
1 1/2	40	10	620	161 543 086	161 543 096
2	50	10	1230	161 543 087	161 543 097

Inch	D [mm]	L [mm]	L1 [mm]	L2 [mm]	L3 [mm]	L4 [mm]	L5 [mm]	L6 [mm]	H [mm]	H1 [mm]	H2 [mm]	M	z [mm]	z1 [mm]
3/8	50	123	77	73	36	25	32	45	57	28	8	6	85	42
1/2	50	122	77	73	36	25	32	45	57	28	8	6	77	38
3/4	58	141	97	86	43	25	39	58	67	32	8	6	92	46
1	68	161	97	99	50	25	39	58	73	36	8	6	105	53
1 1/4	84	187	128	120	60	45	54	74	90	45	9	8	126	63
1 1/2	97	213	128	137	69	45	54	74	97	51	9	8	143	72
2	124	261	152	179	89	45	66	87	116	65	9	8	185	92

PVC-U ASTM/ANSI

3-Way ball valve type 543 PVC-U Horizontal/L-port With threaded sockets NPT



Model:

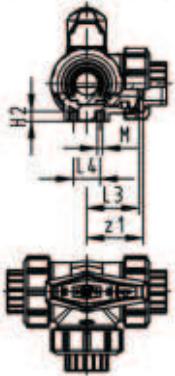
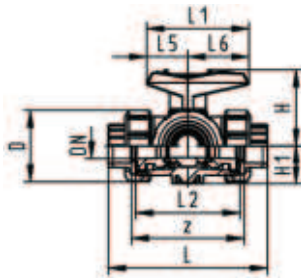
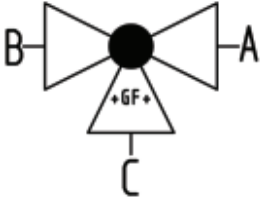
- For easy installation and removal (valve end and union nut are compatible with type 546)
- Ball seals PTFE
- Pneumatic or electric actuator available separately
- Angle of operation 360° without turn limiter
- Turn limiter 90° enclosed, in different positions usable as a clip-on ring
- Integrated stainless steel mounting inserts
- Delivery status A-C opened, see flow scheme

NPT [inch]	DN [mm]	PN	kv-value ($\Delta p=1$ bar) [l/min]	EPDM Code	FPM Code
3/8	10	10	50	161 543 101	161 543 111
1/2	15	10	75	161 543 102	161 543 112
3/4	20	10	150	161 543 103	161 543 113
1	25	10	280	161 543 104	161 543 114
1 1/4	32	10	480	161 543 105	161 543 115
1 1/2	40	10	620	161 543 106	161 543 116
2	50	10	1230	161 543 107	161 543 117

NPT [inch]	D [mm]	L [mm]	L1 [mm]	L2 [mm]	L3 [mm]	L4 [mm]	L5 [mm]	L6 [mm]	H [mm]	H1 [mm]	H2 [mm]	M [mm]	z [mm]	z1 [mm]
3/8	50	115	77	73	36	25	32	45	57	28	8	6	87	43
1/2	50	114	77	73	36	25	32	45	57	28	8	6	81	40
3/4	58	131	97	86	43	25	39	58	67	32	8	6	96	48
1	68	155	97	99	50	25	39	58	73	36	8	6	111	56
1 1/4	84	181	128	120	60	45	54	74	90	45	9	8	134	67
1 1/2	97	205	128	137	69	45	54	74	97	51	9	8	159	80
2	124	261	152	179	89	45	66	87	116	65	9	8	213	106

PVC-U ASTM/ANSI

3-Way ball valve type 543 PVC-U Horizontal/T-port With solvent cement sockets ASTM



Model:

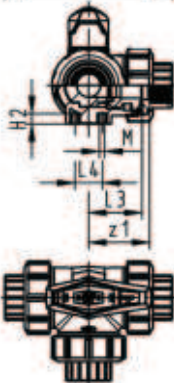
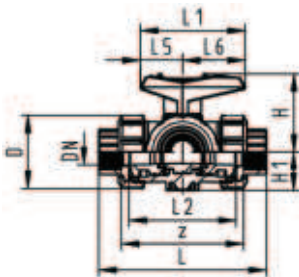
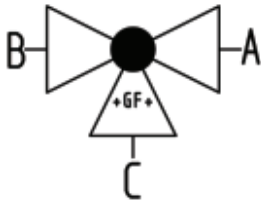
- For easy installation and removal (valve end and union nut are compatible with type 546)
- Ball seals PTFE
- Pneumatic or electric actuator available separately
- Angle of operation 360° without turn limiter
- Turn limiter 90° enclosed, in different positions usable as a clip-on ring
- Integrated stainless steel mounting inserts
- Delivery status A-B-C opened, see flow scheme

Inch	DN [mm]	PN	kv-value (Δp=1 bar) [l/min]	EPDM Code	FPM Code
3/8	10	10	140	161 543 281	161 543 291
1/2	15	10	200	161 543 282	161 543 292
3/4	20	10	470	161 543 283	161 543 293
1	25	10	793	161 543 284	161 543 294
1 1/4	32	10	1290	161 543 285	161 543 295
1 1/2	40	10	1910	161 543 286	161 543 296
2	50	10	3100	161 543 287	161 543 297

Inch	D [mm]	L [mm]	L1 [mm]	L2 [mm]	L3 [mm]	L4 [mm]	L5 [mm]	L6 [mm]	H [mm]	H1 [mm]	H2 [mm]	M	z [mm]	z1 [mm]
3/8	50	123	77	73	36	25	32	45	57	28	8	6	85	42
1/2	50	122	77	73	36	25	32	45	57	28	8	6	77	38
3/4	58	141	97	86	43	25	39	58	67	32	8	6	92	46
1	68	161	97	99	50	25	39	58	73	36	8	6	105	53
1 1/4	84	187	128	120	60	45	54	74	90	45	9	8	126	63
1 1/2	97	213	128	137	69	45	54	74	97	51	9	8	143	72
2	124	261	152	179	89	45	66	87	116	65	9	8	185	92

PVC-U ASTM/ANSI

3-Way ball valve type 543 PVC-U Horizontal/T-port With threaded sockets NPT



Model:

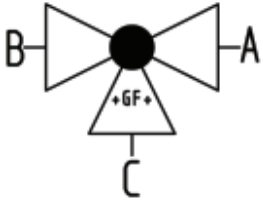
- For easy installation and removal (valve end and union nut are compatible with type 546)
- Ball seals PTFE
- Pneumatic or electric actuator available separately
- Angle of operation 360° without turn limiter
- Turn limiter 90° enclosed, in different positions usable as a clip-on ring
- Integrated stainless steel mounting inserts
- Delivery status A-B-C opened, see flow scheme

NPT [inch]	DN [mm]	PN	kv-value ($\Delta p=1$ bar) [l/min]	EPDM Code	FPM Code
3/8	10	10	140	161 543 301	161 543 311
1/2	15	10	200	161 543 302	161 543 312
3/4	20	10	470	161 543 303	161 543 313
1	25	10	793	161 543 304	161 543 314
1 1/4	32	10	1290	161 543 305	161 543 315
1 1/2	40	10	1910	161 543 306	161 543 316
2	50	10	3100	161 543 307	161 543 317

NPT [inch]	D [mm]	L [mm]	L1 [mm]	L2 [mm]	L3 [mm]	L4 [mm]	L5 [mm]	L6 [mm]	H [mm]	H1 [mm]	H2 [mm]	M [mm]	z [mm]	z1 [mm]
3/8	50	115	77	73	36	25	32	45	57	28	8	6	87	43
1/2	50	114	77	73	36	25	32	45	57	28	8	6	81	40
3/4	58	131	97	86	43	25	39	58	67	32	8	6	96	48
1	68	155	97	99	50	25	39	58	73	36	8	6	111	56
1 1/4	84	181	128	120	60	45	54	74	90	45	9	8	134	67
1 1/2	97	205	128	137	69	45	54	74	97	51	9	8	159	80
2	124	261	152	179	89	45	66	87	116	65	9	8	213	106

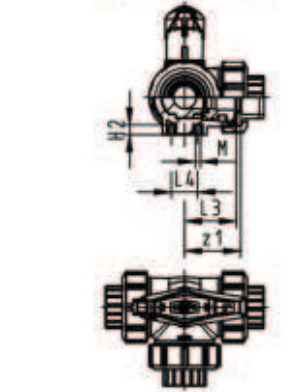
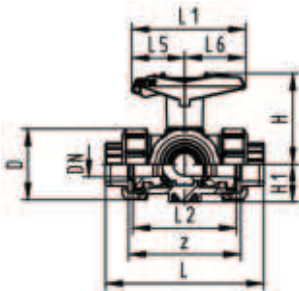
PVC-U ASTM/ANSI

3-Way ball valve type 543 PVC-U Horizontal/L-port With lockable handle With solvent cement sockets ASTM



Model:

- For easy installation and removal (valve end and union nut are compatible with type 546)
- Ball seals PTFE
- Pneumatic or electric actuator available separately
- Angle of operation 360° without turn limiter
- Turn limiter 90° enclosed, in different positions usable as a clip-on ring
- Integrated stainless steel mounting inserts
- Multifunctional lever red with ratched setting 45°, lockable
- Delivery status A-C opened, see flow scheme



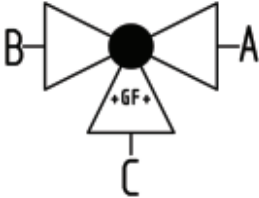
Inch	DN [mm]	PN	kv-value (Δp=1 bar) [l/min]	EPDM Code	FPM Code
3/8	10	10	50	161 543 741	161 543 751
1/2	15	10	75	161 543 742	161 543 752
3/4	20	10	150	161 543 743	161 543 753
1	25	10	280	161 543 744	161 543 754
1 1/4	32	10	480	161 543 745	161 543 755
1 1/2	40	10	620	161 543 746	161 543 756
2	50	10	1230	161 543 747	161 543 757

Inch	D [mm]	L [mm]	L1 [mm]	L2 [mm]	L3 [mm]	L4 [mm]	L5 [mm]	L6 [mm]	H [mm]	H1 [mm]	H2 [mm]	M	z [mm]	z1 [mm]
3/8	50	123	87	73	36	25	42	45	79	28	8	6	85	42
1/2	50	122	87	73	36	25	42	45	79	28	8	6	77	38
3/4	58	141	108	86	43	25	50	58	88	32	8	6	92	46
1	68	161	108	99	50	25	50	58	94	36	8	6	105	53
1 1/4	84	187	141	120	60	45	66	75	113	45	9	8	126	63
1 1/2	97	213	141	137	69	45	66	75	119	51	9	8	143	72
2	124	261	165	179	89	45	78	87	141	65	9	8	185	92

PVC-U ASTM/ANSI

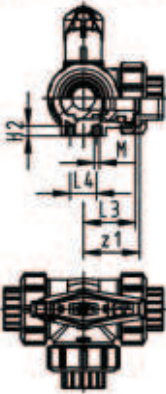
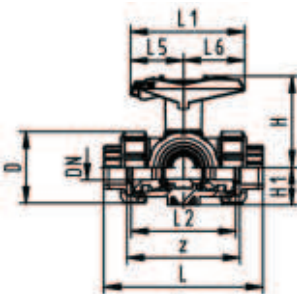


3-Way ball valve type 543 PVC-U Horizontal/T-port With lockable handle With solvent cement sockets ASTM



Model:

- For easy installation and removal (valve end and union nut are compatible with type 546)
- Ball seals PTFE
- Pneumatic or electric actuator available separately
- Angle of operation 360° without turn limiter
- Turn limiter 90° enclosed, in different positions usable as a clip-on ring
- Integrated stainless steel mounting inserts
- Multifunctional lever red with ratched setting 45°, lockable
- Delivery status A-B-C opened, see flow scheme

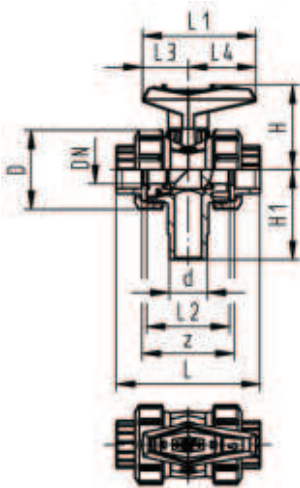
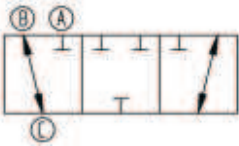
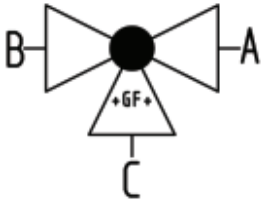


Inch	DN [mm]	PN	kv-value ($\Delta p=1$ bar) [l/min]	EPDM Code	FPM Code
3/8	10	10	140	161 543 761	161 543 771
1/2	15	10	200	161 543 762	161 543 772
3/4	20	10	470	161 543 763	161 543 773
1	25	10	793	161 543 764	161 543 774
1 1/4	32	10	1290	161 543 765	161 543 775
1 1/2	40	10	1910	161 543 766	161 543 776
2	50	10	3100	161 543 767	161 543 777

Inch	D [mm]	L [mm]	L1 [mm]	L2 [mm]	L3 [mm]	L4 [mm]	L5 [mm]	L6 [mm]	H [mm]	H1 [mm]	H2 [mm]	M	z [mm]	z1 [mm]
3/8	50	123	87	73	36	25	42	45	79	28	8	6	85	42
1/2	50	122	87	73	36	25	42	45	79	28	8	6	77	38
3/4	58	141	108	86	43	25	50	58	88	32	8	6	92	46
1	68	161	108	99	50	25	50	58	94	36	8	6	105	53
1 1/4	84	187	141	120	60	45	66	75	113	45	9	8	126	63
1 1/2	97	213	141	137	69	45	66	75	119	51	9	8	143	72
2	124	261	165	179	89	45	78	87	141	65	9	8	185	92

PVC-U ASTM/ANSI

3-Way ball valve type 543 PVC-U Vertical/L-port With solvent cement sockets ASTM



Model:

- Vertical inlet solvent cement spigot metric
- Easy installation and removal using union on third outlet
- Ball seals PTFE
- Electric actuator available separately
- Angle of operation 360° without turn limiter
- Delivery status B-C opened, see flow scheme

Mode of action:

- For interconnection of two inputs

Inch	DN [mm]	PN	kv-value ($\Delta p=1$ bar) [l/min]	EPDM Code	FPM Code
3/8	10	10	49	161 543 661	161 543 671
1/2	15	10	77	161 543 662	161 543 672
3/4	20	10	146	161 543 663	161 543 673
1	25	10	260	161 543 664	161 543 674
1 1/4	32	10	437	161 543 665	161 543 675
1 1/2	40	10	667	161 543 666	161 543 676
2	50	10	1293	161 543 667	161 543 677

Inch	D [mm]	L [mm]	L1 [mm]	L2 [mm]	L3 [mm]	L4 [mm]	H [mm]	H1 [mm]	z [mm]
3/8	50	106	77	56	32	45	57	62	67
1/2	50	105	77	56	32	45	57	62	61
3/4	58	121	97	66	39	58	67	72	70
1	68	133	97	71	39	58	73	77	76
1 1/4	84	152	128	85	54	74	90	87	90
1 1/2	97	165	128	89	54	74	97	97	94
2	124	183	152	101	66	87	116	112	107

PVC-U ASTM/ANSI

3-Way ball valve type 543 PVC-U Vertical/L-port With threaded sockets NPT

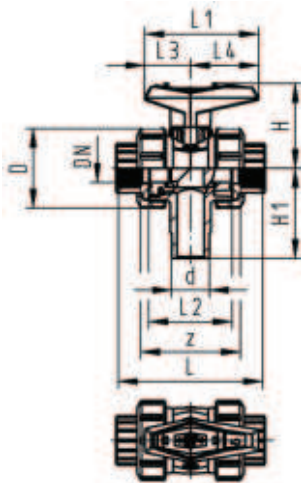
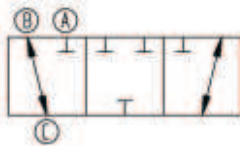
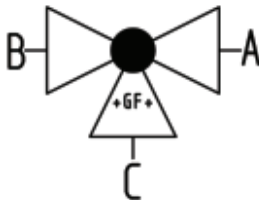


Model:

- Vertical inlet solvent cement spigot metric
- Easy installation and removal using union on third outlet
- Ball seals PTFE
- Electric actuator available separately
- Angle of operation 360° without turn limiter
- Delivery status B-C opened, see flow scheme

Mode of action:

- For interconnection of two inputs



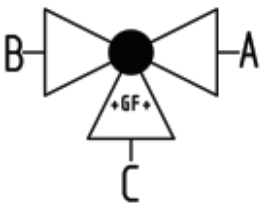
NPT [inch]	DN [mm]	PN	kv-value ($\Delta p=1$ bar) [l/min]	EPDM Code	FPM Code
3/8	10	10	49	161 543 681	161 543 691
1/2	15	10	77	161 543 682	161 543 692
3/4	20	10	146	161 543 683	161 543 693
1	25	10	260	161 543 684	161 543 694
1 1/4	32	10	437	161 543 685	161 543 695
1 1/2	40	10	667	161 543 686	161 543 696
2	50	10	1293	161 543 687	161 543 697

NPT [inch]	D [mm]	L [mm]	L1 [mm]	L2 [mm]	L3 [mm]	L4 [mm]	H [mm]	H1 [mm]	z [mm]
3/8	50	98	77	56	32	45	57	62	70
1/2	50	98	77	56	32	45	57	62	64
3/4	58	112	97	66	39	58	67	72	76
1	68	127	97	71	39	58	73	77	83
1 1/4	84	146	128	85	54	74	90	87	99
1 1/2	97	157	128	89	54	74	97	97	111
2	124	183	152	101	66	87	116	112	135

PVC-U ASTM/ANSI

Ball valves electric

**3-Way ball valve type 185 PVC-U
Horizontal/L-port 100-230V
With manual emergency override
With solvent cement sockets ASTM**



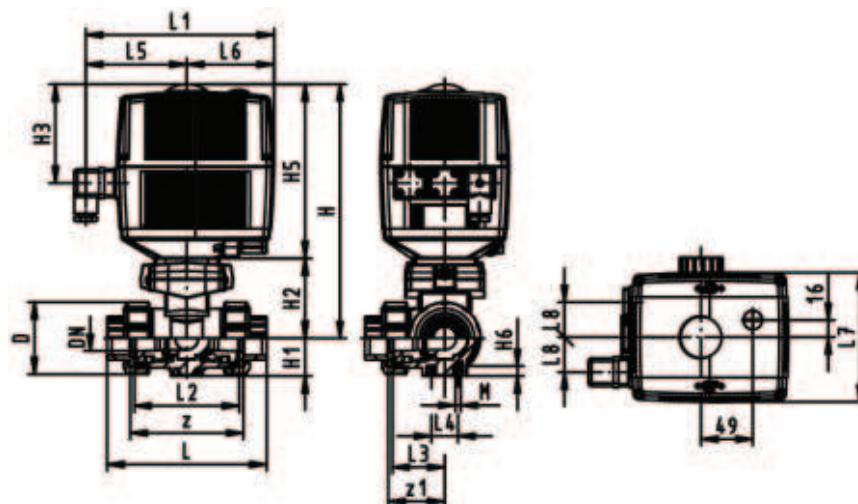
Model:

- Built on with electric actuator EA21
- Voltage 100-230 V, 50-60 Hz
- Control range 90°<
- Basic position A-C opened, activated position B-C opened, see flow scheme
- Other positions possible by adjusting the limit switches
- Control time 5 s/90°<
- For easy installation and removal
- Integrated stainless steel mounting inserts

Inch	DN [mm]	PN	kv-value (Δp=1 bar) [l/min]	EPDM Code	FPM Code
3/8	10	10	50	199 185 382	199 185 392
1/2	15	10	75	199 185 383	199 185 393
3/4	20	10	150	199 185 384	199 185 394
1	25	10	280	199 185 385	199 185 395
1 1/4	32	10	480	199 185 386	199 185 396
1 1/2	40	10	620	199 185 387	199 185 397
2	50	10	1230	199 185 388	199 185 398

Inch	D [mm]	H [mm]	H1 [mm]	H2 [mm]	H3 [mm]	H5 [mm]	H6 [mm]	L [mm]	L1 [mm]	L2 [mm]	L3 [mm]	L4 [mm]	L5 [mm]	L6 [mm]	L7 [mm]
3/8	50	231	28	64	94	167	8	123	180	73	36	25	97	83	122
1/2	50	231	28	64	94	167	8	122	180	73	36	25	97	83	122
3/4	58	240	32	73	94	167	8	141	180	86	43	25	97	83	122
1	68	240	36	73	94	167	8	161	180	99	50	25	97	83	122
1 1/4	84	251	45	84	94	167	9	187	180	120	60	45	97	83	122
1 1/2	97	251	51	84	94	167	9	213	180	137	69	45	97	83	122
2	124	273	65	106	94	167	9	261	180	179	89	45	97	83	122

Inch	L8 [mm]	M	z [mm]	z1 [mm]
3/8	33	6	85	42
1/2	33	6	77	38
3/4	33	6	92	46
1	33	6	105	53
1 1/4	33	8	126	63
1 1/2	33	8	143	72
2	33	8	185	92



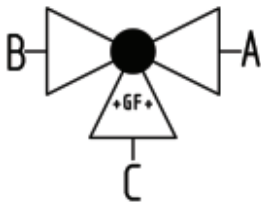
PVC-U ASTM/ANSI

3-Way ball valve type 185 PVC-U Horizontal/L-port 100-230V With manual emergency override With threaded sockets NPT



Model:

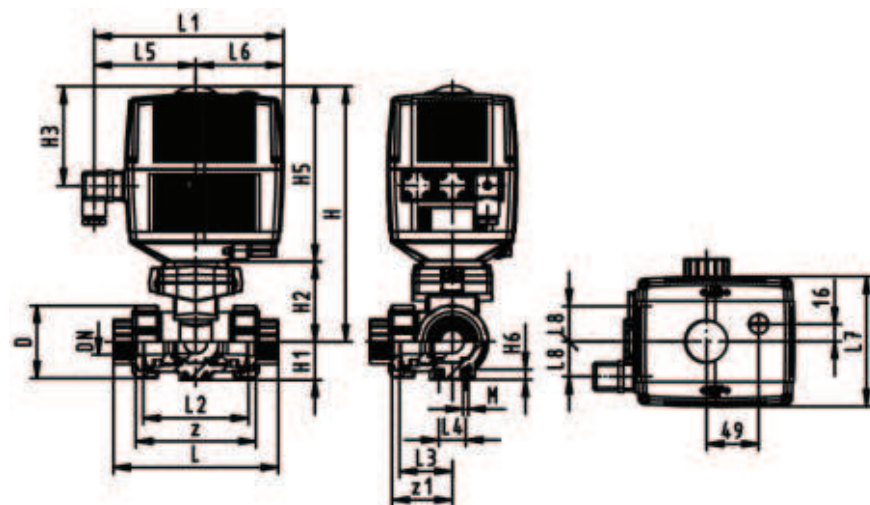
- Built on with electric actuator EA21
- Voltage 100-230 V, 50-60 Hz
- Control range 90°<
- Basic position A-C opened, activated position B-C opened, see flow scheme
- Other positions possible by adjusting the limit switches
- Control time 5 s/90°<
- For easy installation and removal
- Integrated stainless steel mounting inserts



NPT [inch]	DN [mm]	PN	kv-value ($\Delta p=1$ bar) [l/min]	EPDM Code	FPM Code
3/8	10	10	50	199 185 362	199 185 372
1/2	15	10	75	199 185 363	199 185 373
3/4	20	10	150	199 185 364	199 185 374
1	25	10	280	199 185 365	199 185 375
1 1/4	32	10	480	199 185 366	199 185 376
1 1/2	40	10	620	199 185 367	199 185 377
2	50	10	1230	199 185 368	199 185 378

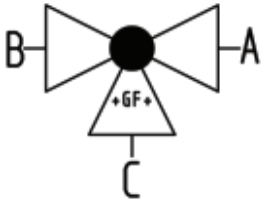
NPT [inch]	D [mm]	H [mm]	H1 [mm]	H2 [mm]	H3 [mm]	H5 [mm]	H6 [mm]	L [mm]	L1 [mm]	L2 [mm]	L3 [mm]	L4 [mm]	L5 [mm]	L6 [mm]	L7 [mm]
3/8	50	231	28	64	94	167	8	115	180	73	36	25	97	83	122
1/2	50	231	28	64	94	167	8	114	180	73	36	25	97	83	122
3/4	58	240	32	73	94	167	8	131	180	86	43	25	97	83	122
1	68	240	36	73	94	167	8	155	180	99	50	25	97	83	122
1 1/4	84	251	45	84	94	167	9	181	180	120	60	45	97	83	122
1 1/2	97	251	51	84	94	167	9	205	180	137	69	45	97	83	122
2	124	273	65	106	94	167	9	261	180	179	89	45	97	83	122

NPT [inch]	L8 [mm]	M	z [mm]	z1 [mm]
3/8	33	6	87	43
1/2	33	6	81	40
3/4	33	6	96	48
1	33	6	111	56
1 1/4	33	8	134	67
1 1/2	33	8	159	80
2	33	8	213	106



PVC-U ASTM/ANSI

3-Way ball valve type 185 PVC-U Horizontal/L-port 24V With manual emergency override With solvent cement sockets ASTM



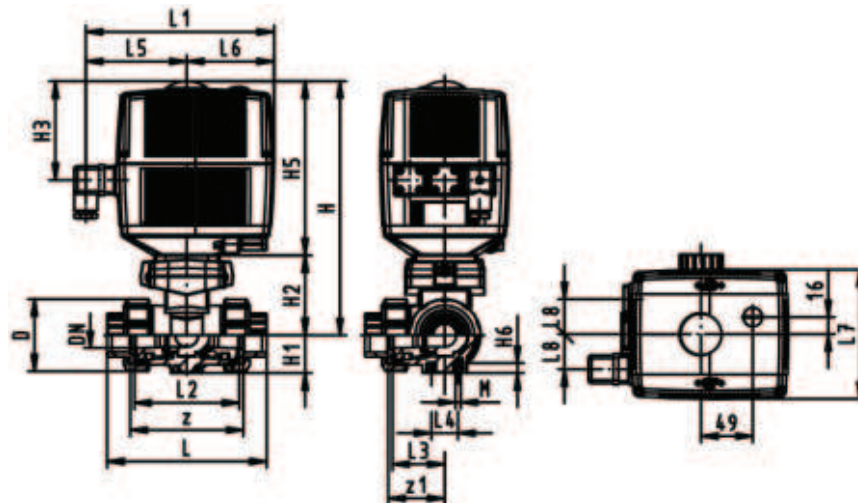
Model:

- Built on with electric actuator EA21
- Voltage 24 V AC/DC
- Control range 90°<
- Basic position A-C opened, activated position B-C opened, see flow scheme
- Other positions possible by adjusting the limit switches
- Control time 5 s/90°<
- For easy installation and removal
- Integrated stainless steel mounting inserts

Inch	DN [mm]	PN	kv-value (Δp=1 bar) [l/min]	EPDM Code	FPM Code
3/8	10	10	50	199 185 542	199 185 552
1/2	15	10	75	199 185 543	199 185 553
3/4	20	10	150	199 185 544	199 185 554
1	25	10	280	199 185 545	199 185 555
1 1/4	32	10	480	199 185 546	199 185 556
1 1/2	40	10	620	199 185 547	199 185 557
2	50	10	1230	199 185 548	199 185 558

Inch	D [mm]	H [mm]	H1 [mm]	H2 [mm]	H3 [mm]	H5 [mm]	H6 [mm]	L [mm]	L1 [mm]	L2 [mm]	L3 [mm]	L4 [mm]	L5 [mm]	L6 [mm]	L7 [mm]
3/8	50	231	28	64	94	167	8	123	180	73	36	25	97	83	122
1/2	50	231	28	64	94	167	8	122	180	73	36	25	97	83	122
3/4	58	240	32	73	94	167	8	141	180	86	43	25	97	83	122
1	68	240	36	73	94	167	8	161	180	99	50	25	97	83	122
1 1/4	84	251	45	84	94	167	9	187	180	120	60	45	97	83	122
1 1/2	97	251	51	84	94	167	9	213	180	137	69	45	97	83	122
2	124	273	65	106	94	167	9	261	180	179	89	45	97	83	122

Inch	L8 [mm]	M	z [mm]	z1 [mm]
3/8	33	6	85	42
1/2	33	6	77	38
3/4	33	6	92	46
1	33	6	105	53
1 1/4	33	8	126	63
1 1/2	33	8	143	72
2	33	8	185	92



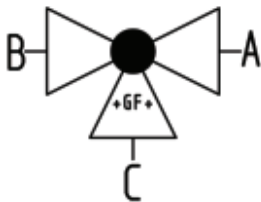
PVC-U ASTM/ANSI

3-Way ball valve type 185 PVC-U Horizontal/L-port 24V With manual emergency override With threaded sockets NPT



Model:

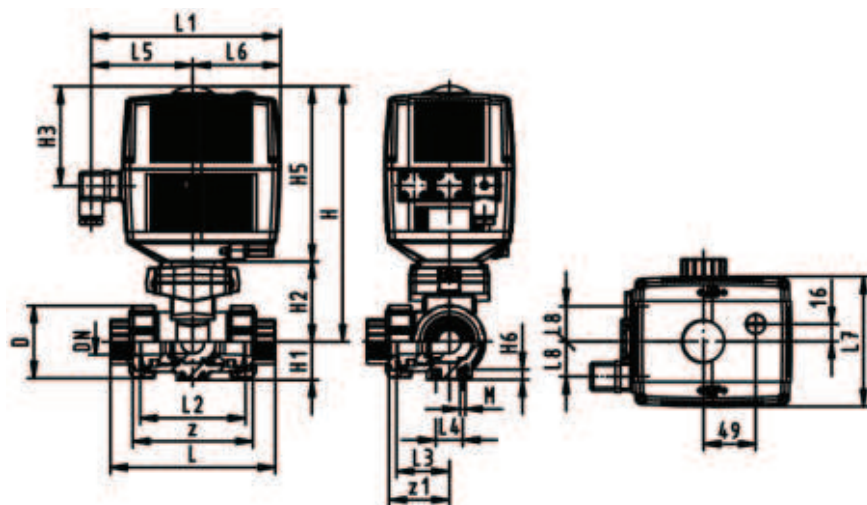
- Built on with electric actuator EA21
- Voltage 24 V AC/DC
- Control range 90°<
- Basic position A-C opened, activated position B-C opened, see flow scheme
- Other positions possible by adjusting the limit switches
- Control time 5 s/90°<
- For easy installation and removal
- Integrated stainless steel mounting inserts



NPT [inch]	DN [mm]	PN	kv-value ($\Delta p=1$ bar) [l/min]	EPDM Code	FPM Code
3/8	10	10	50	199 185 522	199 185 532
1/2	15	10	75	199 185 523	199 185 533
3/4	20	10	150	199 185 524	199 185 534
1	25	10	280	199 185 525	199 185 535
1 1/4	32	10	480	199 185 526	199 185 536
1 1/2	40	10	620	199 185 527	199 185 537
2	50	10	1230	199 185 528	199 185 538

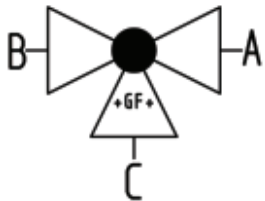
NPT [inch]	D [mm]	H [mm]	H1 [mm]	H2 [mm]	H3 [mm]	H5 [mm]	H6 [mm]	L [mm]	L1 [mm]	L2 [mm]	L3 [mm]	L4 [mm]	L5 [mm]	L6 [mm]	L7 [mm]
3/8	50	231	28	64	94	167	8	115	180	73	36	25	97	83	122
1/2	50	231	28	64	94	167	8	114	180	73	36	25	97	83	122
3/4	58	240	32	73	94	167	8	131	180	86	43	25	97	83	122
1	68	240	36	73	94	167	8	155	180	99	50	25	97	83	122
1 1/4	84	251	45	84	94	167	9	181	180	120	60	45	97	83	122
1 1/2	97	251	51	84	94	167	9	205	180	137	69	45	97	83	122
2	124	273	65	106	94	167	9	261	180	179	89	45	97	83	122

NPT [inch]	L8 [mm]	M [mm]	z [mm]	z1 [mm]
3/8	33	6	87	43
1/2	33	6	81	40
3/4	33	6	96	48
1	33	6	111	56
1 1/4	33	8	134	67
1 1/2	33	8	159	80
2	33	8	213	106



PVC-U ASTM/ANSI

3-Way ball valve type 185 PVC-U Horizontal/T-port 100-230V With manual emergency override With solvent cement sockets ASTM



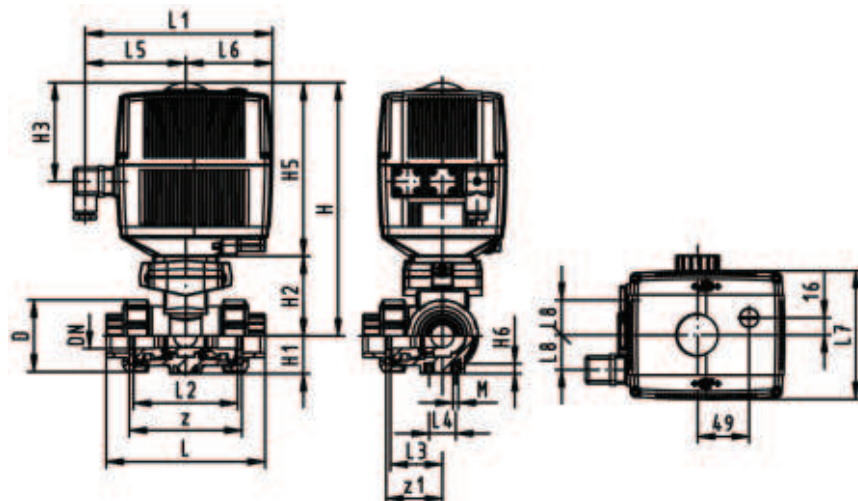
Model:

- Built on with electric actuator EA21
- Voltage 100-230 V, 50-60 Hz
- Control range 90°<
- Basic position A-B-C opened, activated position B-C opened, see flow scheme
- Other positions possible by adjusting the limit switches
- Control time 5 s/90°<
- For easy installation and removal
- Integrated stainless steel mounting inserts

Inch	DN [mm]	PN	kv-value (Δp=1 bar) [l/min]	EPDM Code	FPM Code
3/8	10	10	140	199 185 422	199 185 432
1/2	15	10	200	199 185 423	199 185 433
3/4	20	10	470	199 185 424	199 185 434
1	25	10	793	199 185 425	199 185 435
1 1/4	32	10	1290	199 185 426	199 185 436
1 1/2	40	10	1910	199 185 427	199 185 437
2	50	10	3100	199 185 428	199 185 438

Inch	D [mm]	H [mm]	H1 [mm]	H2 [mm]	H3 [mm]	H5 [mm]	H6 [mm]	L [mm]	L1 [mm]	L2 [mm]	L3 [mm]	L4 [mm]	L5 [mm]	L6 [mm]	L7 [mm]
3/8	50	231	28	64	94	167	8	123	180	73	36	25	97	83	122
1/2	50	231	28	64	94	167	8	122	180	73	36	25	97	83	122
3/4	58	240	32	73	94	167	8	141	180	86	43	25	97	83	122
1	68	240	36	73	94	167	8	161	180	99	50	25	97	83	122
1 1/4	84	251	45	84	94	167	9	187	180	120	60	45	97	83	122
1 1/2	97	251	51	84	94	167	9	213	180	137	69	45	97	83	122
2	124	273	65	106	94	167	9	261	180	179	89	45	97	83	122

Inch	L8 [mm]	M	z [mm]	z1 [mm]
3/8	33	6	85	42
1/2	33	6	77	38
3/4	33	6	92	46
1	33	6	105	53
1 1/4	33	8	126	63
1 1/2	33	8	143	72
2	33	8	185	92



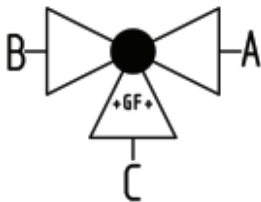
PVC-U ASTM/ANSI

3-Way ball valve type 185 PVC-U Horizontal/T-port 100-230V With manual emergency override With threaded sockets NPT



Model:

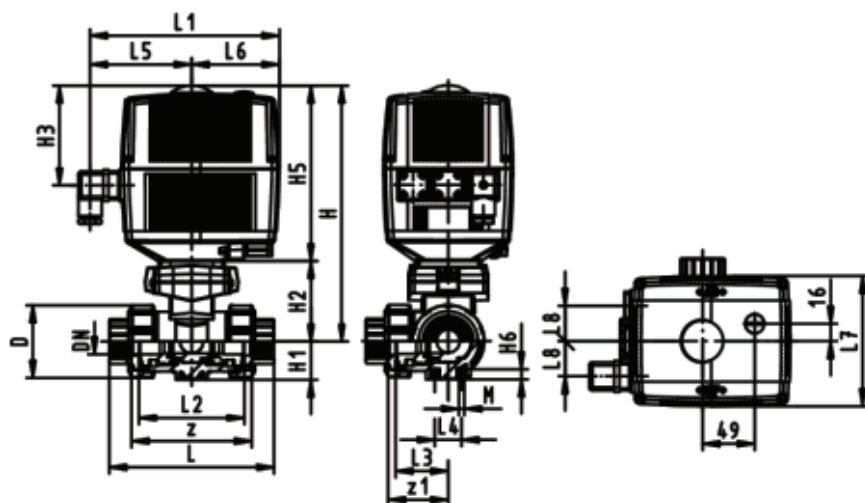
- Built on with electric actuator EA21
- Voltage 100-230 V, 50-60 Hz
- Control range 90°<
- Basic position A-B-C opened, activated position B-C opened, see flow scheme
- Other positions possible by adjusting the limit switches
- Control time 5 s/90°<
- For easy installation and removal
- Integrated stainless steel mounting inserts



NPT [inch]	DN [mm]	PN	kv-value ($\Delta p=1$ bar) [l/min]	EPDM Code	FPM Code
3/8	10	10	140	199 185 402	199 185 412
1/2	15	10	200	199 185 403	199 185 413
3/4	20	10	470	199 185 404	199 185 414
1	25	10	793	199 185 405	199 185 415
1 1/4	32	10	1290	199 185 406	199 185 416
1 1/2	40	10	1910	199 185 407	199 185 417
2	50	10	3100	199 185 408	199 185 418

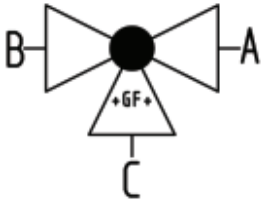
NPT [inch]	D [mm]	H [mm]	H1 [mm]	H2 [mm]	H3 [mm]	H5 [mm]	H6 [mm]	L [mm]	L1 [mm]	L2 [mm]	L3 [mm]	L4 [mm]	L5 [mm]	L6 [mm]	L7 [mm]
3/8	50	231	28	64	94	167	8	115	180	73	36	25	97	83	122
1/2	50	231	28	64	94	167	8	114	180	73	36	25	97	83	122
3/4	58	240	32	73	94	167	8	131	180	86	43	25	97	83	122
1	68	240	36	73	94	167	8	155	180	99	50	25	97	83	122
1 1/4	84	251	45	84	94	167	9	181	180	120	60	45	97	83	122
1 1/2	97	251	51	84	94	167	9	205	180	137	69	45	97	83	122
2	124	273	65	106	94	167	9	261	180	179	89	45	97	83	122

NPT [inch]	L8 [mm]	M [mm]	z [mm]	z1 [mm]
3/8	33	6	87	43
1/2	33	6	81	40
3/4	33	6	96	48
1	33	6	111	56
1 1/4	33	8	134	67
1 1/2	33	8	159	80
2	33	8	213	106



PVC-U ASTM/ANSI

3-Way ball valve type 185 PVC-U Horizontal/T-port 24V With manual emergency override With solvent cement sockets ASTM



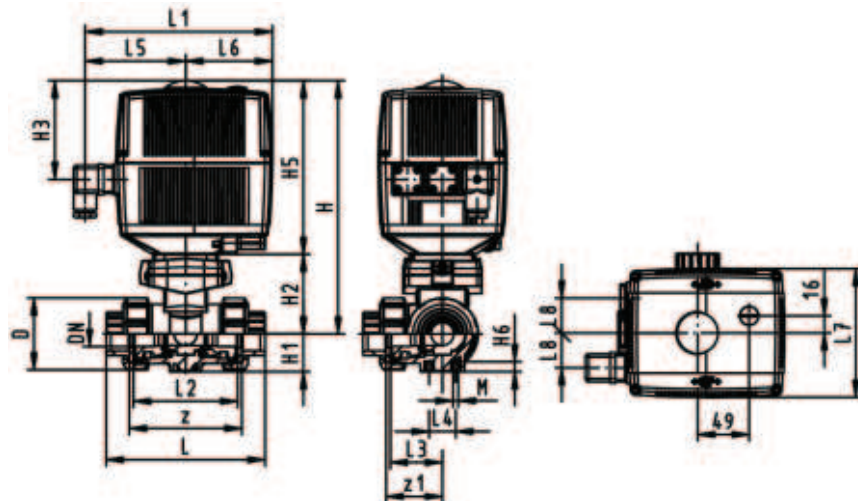
Model:

- Built on with electric actuator EA21
- Voltage 24 V AC/DC
- Control range 90°<
- Basic position A-B-C opened, activated position B-C opened, see flow scheme
- Other positions possible by adjusting the limit switches
- Control time 5 s/90°<
- For easy installation and removal
- Integrated stainless steel mounting inserts

Inch	DN [mm]	PN	kv-value ($\Delta p=1$ bar) [l/min]	EPDM Code	FPM Code
3/8	10	10	140	199 185 582	199 185 592
1/2	15	10	200	199 185 583	199 185 593
3/4	20	10	470	199 185 584	199 185 594
1	25	10	793	199 185 585	199 185 595
1 1/4	32	10	1290	199 185 586	199 185 596
1 1/2	40	10	1910	199 185 587	199 185 597
2	50	10	3100	199 185 588	199 185 598

Inch	D [mm]	H [mm]	H1 [mm]	H2 [mm]	H3 [mm]	H5 [mm]	H6 [mm]	L [mm]	L1 [mm]	L2 [mm]	L3 [mm]	L4 [mm]	L5 [mm]	L6 [mm]	L7 [mm]
3/8	50	231	28	64	94	167	8	123	180	73	36	25	97	83	122
1/2	50	231	28	64	94	167	8	122	180	73	36	25	97	83	122
3/4	58	240	32	73	94	167	8	141	180	86	43	25	97	83	122
1	68	240	36	73	94	167	8	161	180	99	50	25	97	83	122
1 1/4	84	251	45	84	94	167	9	187	180	120	60	45	97	83	122
1 1/2	97	251	51	84	94	167	9	213	180	137	69	45	97	83	122
2	124	273	65	106	94	167	9	261	180	179	89	45	97	83	122

Inch	L8 [mm]	M	z [mm]	z1 [mm]
3/8	33	6	85	42
1/2	33	6	77	38
3/4	33	6	92	46
1	33	6	105	53
1 1/4	33	8	126	63
1 1/2	33	8	143	72
2	33	8	185	92



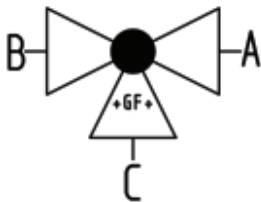
PVC-U ASTM/ANSI

3-Way ball valve type 185 PVC-U Horizontal/T-port 24V With manual emergency override With threaded sockets NPT



Model:

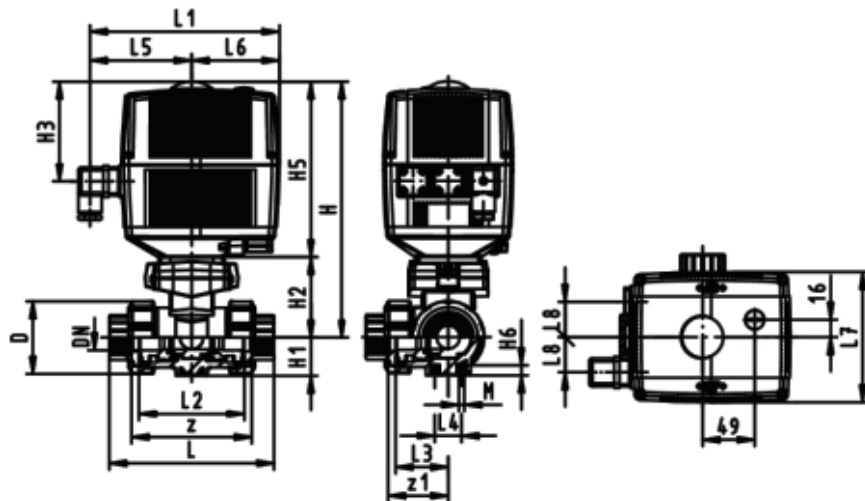
- Built on with electric actuator EA21
- Voltage 24 V AC/DC
- Control range 90°<
- Basic position A-B-C opened, activated position B-C opened, see flow scheme
- Other positions possible by adjusting the limit switches
- Control time 5 s/90°<
- For easy installation and removal
- Integrated stainless steel mounting inserts



NPT [inch]	DN [mm]	PN	kv-value ($\Delta p=1$ bar) [l/min]	EPDM Code	FPM Code
3/8	10	10	140	199 185 562	199 185 572
1/2	15	10	200	199 185 563	199 185 573
3/4	20	10	470	199 185 564	199 185 574
1	25	10	793	199 185 565	199 185 575
1 1/4	32	10	1290	199 185 566	199 185 576
1 1/2	40	10	1910	199 185 567	199 185 577
2	50	10	3100	199 185 568	199 185 578

NPT [inch]	D [mm]	H [mm]	H1 [mm]	H2 [mm]	H3 [mm]	H5 [mm]	H6 [mm]	L [mm]	L1 [mm]	L2 [mm]	L3 [mm]	L4 [mm]	L5 [mm]	L6 [mm]	L7 [mm]
3/8	50	231	28	64	94	167	8	115	180	73	36	25	97	83	122
1/2	50	231	28	64	94	167	8	114	180	73	36	25	97	83	122
3/4	58	240	32	73	94	167	8	131	180	86	43	25	97	83	122
1	68	240	36	73	94	167	8	155	180	99	50	25	97	83	122
1 1/4	84	251	45	84	94	167	9	181	180	120	60	45	97	83	122
1 1/2	97	251	51	84	94	167	9	205	180	137	69	45	97	83	122
2	124	273	65	106	94	167	9	261	180	179	89	45	97	83	122

NPT [inch]	L8 [mm]	M [mm]	z [mm]	z1 [mm]
3/8	33	6	87	43
1/2	33	6	81	40
3/4	33	6	96	48
1	33	6	111	56
1 1/4	33	8	134	67
1 1/2	33	8	159	80
2	33	8	213	106



PVC-U ASTM/ANSI

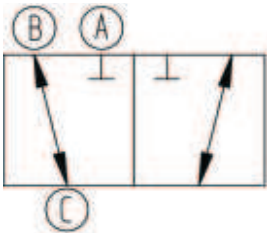
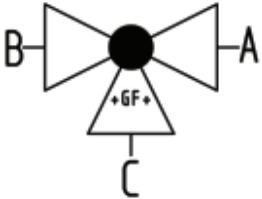
Ball valves pneumatic

3-Way ball valve type 285 PVC-U

Horizontal/L-port

Without manual override

With solvent cement sockets ASTM



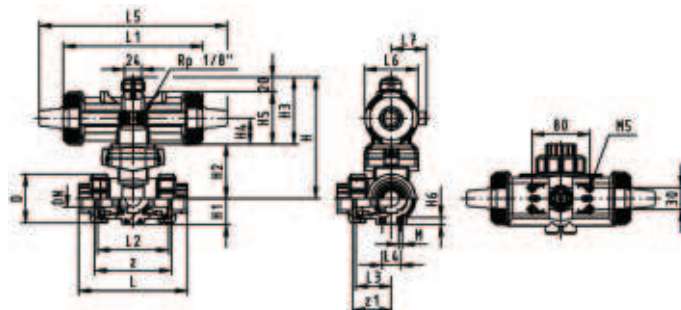
Model:

- Built on with pneumatic actuator PA11 (DN10/15-25), PA21 (DN32-50)
- Actuator fails safe to the closed position FC
- Basic position B-C opened, activated position A-C opened, see flow scheme
- Control time 90°<) 1-3 s
- For easy installation and removal
- Integrated stainless steel mounting inserts

Inch	DN [mm]	PN	kv-value (Δp=1 bar) [l/min]	EPDM Code	FPM Code
3/8	10	10	50	199 285 382	199 285 392
1/2	15	10	75	199 285 383	199 285 393
3/4	20	10	150	199 285 384	199 285 394
1	25	10	280	199 285 385	199 285 395
1 1/4	32	10	480	199 285 386	199 285 396
1 1/2	40	10	620	199 285 387	199 285 397
2	50	10	1230	199 285 388	199 285 398

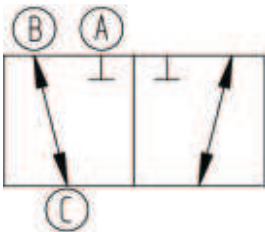
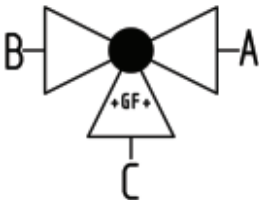
Inch	D [mm]	H [mm]	H1 [mm]	H2 [mm]	H3 [mm]	H4 [mm]	H5 [mm]	H6 [mm]	L [mm]	L1 [mm]	L2 [mm]	L3 [mm]	L4 [mm]	L5 [mm]	L6 [mm]
3/8	50	159	28	62	97	40	77	8	123	194	73	36	25	261	76
1/2	50	159	28	62	97	40	77	8	122	194	73	36	25	261	76
3/4	58	168	32	71	97	40	77	8	141	194	86	43	25	261	76
1	68	168	36	71	97	40	77	8	161	194	99	50	25	261	76
1 1/4	84	203	45	84	119	51	99	9	187	224	120	60	45	305	95
1 1/2	97	203	51	84	119	51	99	9	213	224	137	69	45	305	95
2	124	225	65	106	119	51	99	9	261	224	179	89	45	305	95

Inch	L7 [mm]	M	z [mm]	z1 [mm]
3/8	48	6	85	42
1/2	48	6	77	38
3/4	48	6	92	46
1	48	6	105	53
1 1/4	59	8	126	63
1 1/2	59	8	143	72
2	59	8	185	92



PVC-U ASTM/ANSI

3-Way ball valve type 285 PVC-U Horizontal/L-port Without manual override With threaded sockets NPT



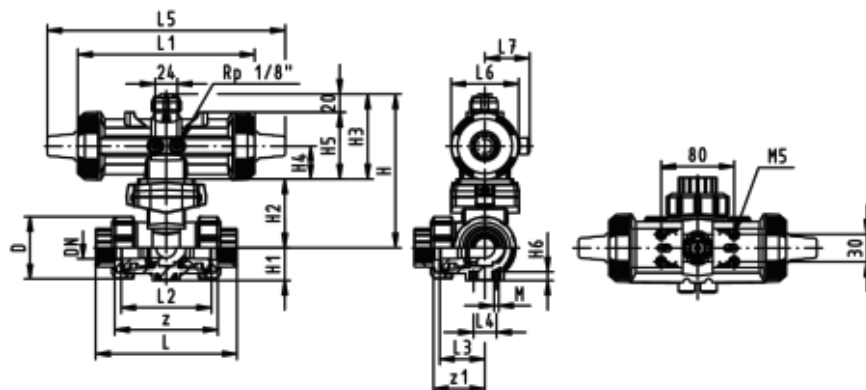
Model:

- Built on with pneumatic actuator PA11 (DN10/15-25), PA21 (DN32-50)
- Actuator fails safe to the closed position FC
- Basic position B-C opened, activated position A-C opened, see flow scheme
- Control time $90^\circ <$ 1-3 s
- For easy installation and removal
- Integrated stainless steel mounting inserts

NPT [inch]	DN [mm]	PN	kv-value ($\Delta p=1$ bar) [l/min]	EPDM Code	FPM Code
3/8	10	10	50	199 285 362	199 285 372
1/2	15	10	75	199 285 363	199 285 373
3/4	20	10	150	199 285 364	199 285 374
1	25	10	280	199 285 365	199 285 375
1 1/4	32	10	480	199 285 366	199 285 376
1 1/2	40	10	620	199 285 367	199 285 377
2	50	10	1230	199 285 368	199 285 378

NPT [inch]	D [mm]	H [mm]	H1 [mm]	H2 [mm]	H3 [mm]	H4 [mm]	H5 [mm]	H6 [mm]	L [mm]	L1 [mm]	L2 [mm]	L3 [mm]	L4 [mm]	L5 [mm]	L6 [mm]
3/8	50	159	28	62	97	40	77	8	115	194	73	36	25	261	76
1/2	50	159	28	62	97	40	77	8	114	194	73	36	25	261	76
3/4	58	168	32	71	97	40	77	8	131	194	86	43	25	261	76
1	68	168	36	71	97	40	77	8	155	194	99	50	25	261	76
1 1/4	84	203	45	84	119	51	99	9	181	224	120	60	45	305	95
1 1/2	97	203	51	84	119	51	99	9	205	224	137	69	45	305	95
2	124	225	65	106	119	51	99	9	261	224	179	89	45	305	95

NPT [inch]	L7 [mm]	M	z [mm]	z1 [mm]
3/8	48	6	87	43
1/2	48	6	81	40
3/4	48	6	96	48
1	48	6	111	56
1 1/4	59	8	134	67
1 1/2	59	8	159	80
2	59	8	213	106



PVC-U ASTM/ANSI

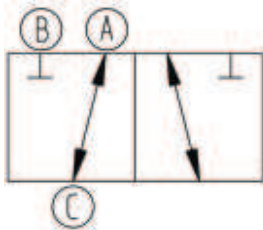
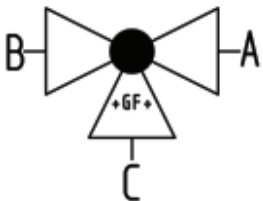


3-Way ball valve type 285 PVC-U Horizontal/L-port DA (Double acting) Without manual override With solvent cement sockets ASTM



Model:

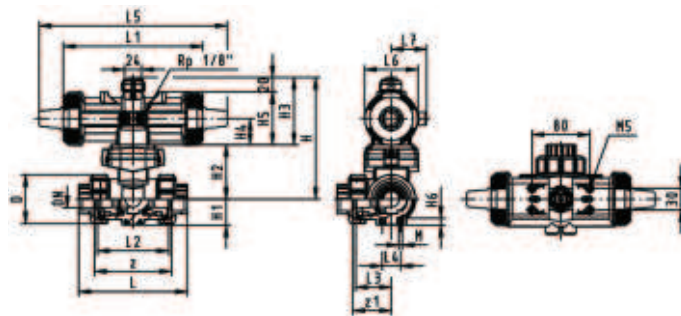
- Built on with pneumatic actuator PA11 (DN10/15-25), PA21 (DN32-50)
- Basic position A-C opened, activated position B-C opened, see flow scheme
- Control time 90°<) 1-3 s
- For easy installation and removal
- Integrated stainless steel mounting inserts



Inch	DN [mm]	PN	kv-value (Δp=1 bar) [l/min]	EPDM Code	FPM Code
3/8	10	10	50	199 285 542	199 285 552
1/2	15	10	75	199 285 543	199 285 553
3/4	20	10	150	199 285 544	199 285 554
1	25	10	280	199 285 545	199 285 555
1 1/4	32	10	480	199 285 546	199 285 556
1 1/2	40	10	620	199 285 547	199 285 557
2	50	10	1230	199 285 548	199 285 558

Inch	D [mm]	H [mm]	H1 [mm]	H2 [mm]	H3 [mm]	H4 [mm]	H5 [mm]	H6 [mm]	L [mm]	L1 [mm]	L2 [mm]	L3 [mm]	L4 [mm]	L5 [mm]	L6 [mm]
3/8	50	159	28	62	97	40	77	8	123	194	73	36	25	261	76
1/2	50	159	28	62	97	40	77	8	122	194	73	36	25	261	76
3/4	58	168	32	71	97	40	77	8	141	194	86	43	25	261	76
1	68	168	36	71	97	40	77	8	161	194	99	50	25	261	76
1 1/4	84	203	45	84	119	51	99	9	187	224	120	60	45	305	95
1 1/2	97	203	51	84	119	51	99	9	213	224	137	69	45	305	95
2	124	225	65	106	119	51	99	9	261	224	179	89	45	305	95

Inch	L7 [mm]	M	z [mm]	z1 [mm]
3/8	48	6	85	42
1/2	48	6	77	38
3/4	48	6	92	46
1	48	6	105	53
1 1/4	59	8	126	63
1 1/2	59	8	143	72
2	59	8	185	92



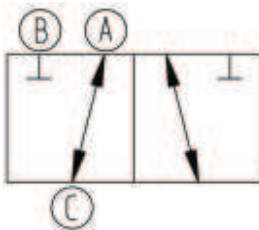
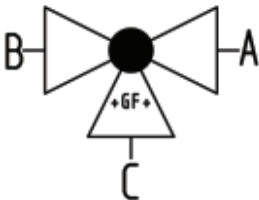
PVC-U ASTM/ANSI



3-Way ball valve type 285 PVC-U Horizontal/L-port DA (Double acting) Without manual override With threaded sockets NPT

Model:

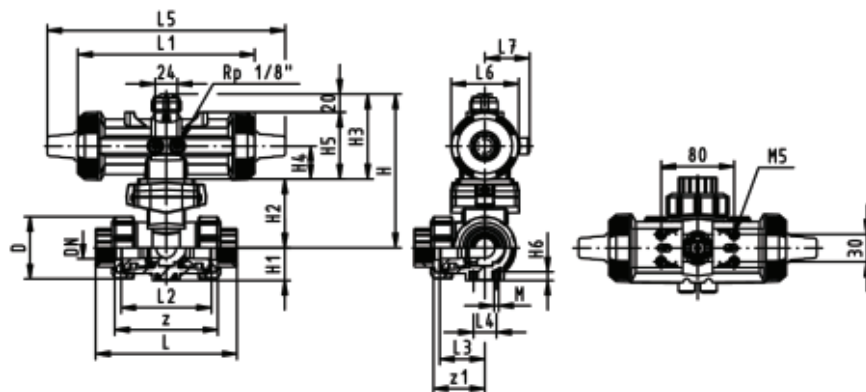
- Built on with pneumatic actuator PA11 (DN10/15-25), PA21 (DN32-50)
- Basic position A-C opened, activated position B-C opened, see flow scheme
- Control time 90°<) 1-3 s
- For easy installation and removal
- Integrated stainless steel mounting inserts



NPT [inch]	DN [mm]	PN	kv-value ($\Delta p=1$ bar) [l/min]	EPDM Code	FPM Code
3/8	10	10	50	199 285 522	199 285 532
1/2	15	10	75	199 285 523	199 285 533
3/4	20	10	150	199 285 524	199 285 534
1	25	10	280	199 285 525	199 285 535
1 1/4	32	10	480	199 285 526	199 285 536
1 1/2	40	10	620	199 285 527	199 285 537
2	50	10	1230	199 285 528	199 285 538

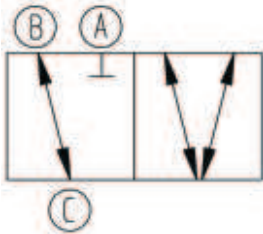
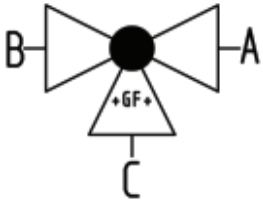
NPT [inch]	D [mm]	H [mm]	H1 [mm]	H2 [mm]	H3 [mm]	H4 [mm]	H5 [mm]	H6 [mm]	L [mm]	L1 [mm]	L2 [mm]	L3 [mm]	L4 [mm]	L5 [mm]	L6 [mm]
3/8	50	159	28	62	97	40	77	8	115	194	73	36	25	261	76
1/2	50	159	28	62	97	40	77	8	114	194	73	36	25	261	76
3/4	58	168	32	71	97	40	77	8	131	194	86	43	25	261	76
1	68	168	36	71	97	40	77	8	155	194	99	50	25	261	76
1 1/4	84	203	45	84	119	51	99	9	181	224	120	60	45	305	95
1 1/2	97	203	51	84	119	51	99	9	205	224	137	69	45	305	95
2	124	225	65	106	119	51	99	9	261	224	179	89	45	305	95

NPT [inch]	L7 [mm]	M	z [mm]	z1 [mm]
3/8	48	6	87	43
1/2	48	6	81	40
3/4	48	6	96	48
1	48	6	111	56
1 1/4	59	8	134	67
1 1/2	59	8	159	80
2	59	8	213	106



PVC-U ASTM/ANSI

3-Way ball valve type 285 PVC-U Horizontal/T-port Without manual override With solvent cement sockets ASTM



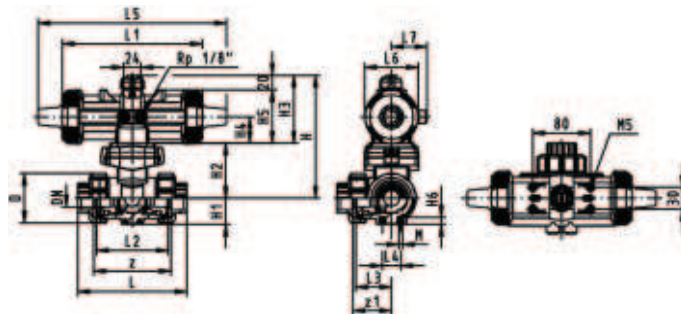
Model:

- Built on with pneumatic actuator PA11 (DN10/15-25), PA21 (DN32-50)
- Actuator fails safe to the closed position FC
- Basic position B-C opened, activated position A-B-C opened, see flow scheme
- Control time 90°< 1-3 s
- For easy installation and removal
- Integrated stainless steel mounting inserts

Inch	DN [mm]	PN	kv-value (Δp=1 bar) [l/min]	EPDM Code	FPM Code
3/8	10	10	140	199 285 422	199 285 432
1/2	15	10	200	199 285 423	199 285 433
3/4	20	10	470	199 285 424	199 285 434
1	25	10	793	199 285 425	199 285 435
1 1/4	32	10	1290	199 285 426	199 285 436
1 1/2	40	10	1910	199 285 427	199 285 437
2	50	10	3100	199 285 428	199 285 438

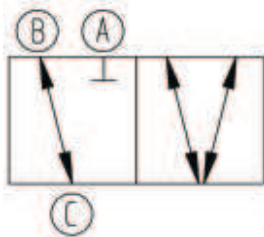
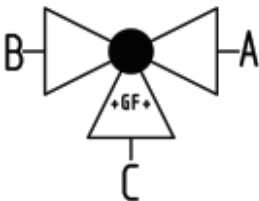
Inch	D [mm]	H [mm]	H1 [mm]	H2 [mm]	H3 [mm]	H4 [mm]	H5 [mm]	H6 [mm]	L [mm]	L1 [mm]	L2 [mm]	L3 [mm]	L4 [mm]	L5 [mm]	L6 [mm]
3/8	50	159	28	62	97	40	77	8	123	194	73	36	25	261	76
1/2	50	159	28	62	97	40	77	8	122	194	73	36	25	261	76
3/4	58	168	32	71	97	40	77	8	141	194	86	43	25	261	76
1	68	168	36	71	97	40	77	8	161	194	99	50	25	261	76
1 1/4	84	203	45	84	119	51	99	9	187	224	120	60	45	305	95
1 1/2	97	203	51	84	119	51	99	9	213	224	137	69	45	305	95
2	124	225	65	106	119	51	99	9	261	224	179	89	45	305	95

Inch	L7 [mm]	M	z [mm]	z1 [mm]
3/8	48	6	85	42
1/2	48	6	77	38
3/4	48	6	92	46
1	48	6	105	53
1 1/4	59	8	126	63
1 1/2	59	8	143	72
2	59	8	185	92



PVC-U ASTM/ANSI

3-Way ball valve type 285 PVC-U Horizontal/T-port Without manual override With threaded sockets NPT



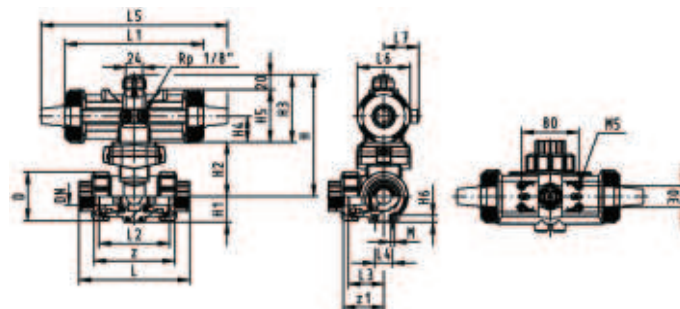
Model:

- Built on with pneumatic actuator PA11 (DN10/15-25), PA21 (DN32-50)
- Actuator fails safe to the closed position FC
- Basic position B-C opened, activated position A-B-C opened, see flow scheme
- Control time 90° < 1-3 s
- For easy installation and removal
- Integrated stainless steel mounting inserts

NPT [inch]	DN [mm]	PN	kv-value ($\Delta p=1$ bar) [l/min]	EPDM Code	FPM Code
3/8	10	10	140	199 285 402	199 285 412
1/2	15	10	200	199 285 403	199 285 413
3/4	20	10	470	199 285 404	199 285 414
1	25	10	793	199 285 405	199 285 415
1 1/4	32	10	1290	199 285 406	199 285 416
1 1/2	40	10	1910	199 285 407	199 285 417
2	50	10	3100	199 285 408	199 285 418

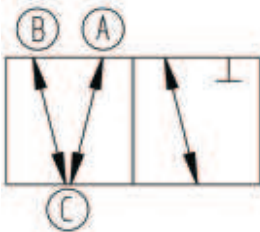
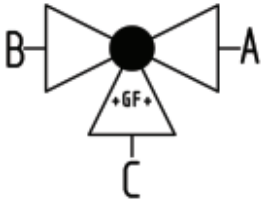
NPT [inch]	D [mm]	H [mm]	H1 [mm]	H2 [mm]	H3 [mm]	H4 [mm]	H5 [mm]	H6 [mm]	L [mm]	L1 [mm]	L2 [mm]	L3 [mm]	L4 [mm]	L5 [mm]	L6 [mm]
3/8	50	159	28	62	97	40	77	8	115	194	73	36	25	261	76
1/2	50	159	28	62	97	40	77	8	114	194	73	36	25	261	76
3/4	58	168	32	71	97	40	77	8	131	194	86	43	25	261	76
1	68	168	36	71	97	40	77	8	155	194	99	50	25	261	76
1 1/4	84	203	45	84	119	51	99	9	181	224	120	60	45	305	95
1 1/2	97	203	51	84	119	51	99	9	205	224	137	69	45	305	95
2	124	225	65	106	119	51	99	9	261	224	179	89	45	305	95

NPT [inch]	L7 [mm]	M	z [mm]	z1 [mm]
3/8	48	6	87	43
1/2	48	6	81	40
3/4	48	6	96	48
1	48	6	111	56
1 1/4	59	8	134	67
1 1/2	59	8	159	80
2	59	8	213	106



PVC-U ASTM/ANSI

3-Way ball valve type 285 PVC-U Horizontal/T-port DA (Double acting) Without manual override With solvent cement sockets ASTM



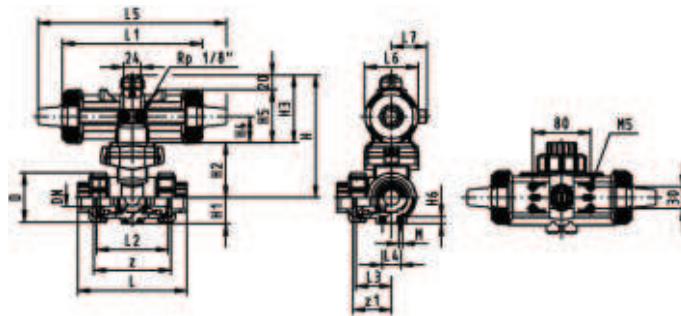
Model:

- Built on with pneumatic actuator PA11 (DN10/15-25), PA21 (DN32-50)
- Basic position A-B-C opened, activated position B-C opened, see flow scheme
- Control time 90°<) 1-3 s
- For easy installation and removal
- Integrated stainless steel mounting inserts

Inch	DN [mm]	PN	kv-value (Δp=1 bar) [l/min]	EPDM Code	FPM Code
3/8	10	10	140	199 285 582	199 285 592
1/2	15	10	200	199 285 583	199 285 593
3/4	20	10	470	199 285 584	199 285 594
1	25	10	793	199 285 585	199 285 595
1 1/4	32	10	1290	199 285 586	199 285 596
1 1/2	40	10	1910	199 285 587	199 285 597
2	50	10	3100	199 285 588	199 285 598

Inch	D [mm]	H [mm]	H1 [mm]	H2 [mm]	H3 [mm]	H4 [mm]	H5 [mm]	H6 [mm]	L [mm]	L1 [mm]	L2 [mm]	L3 [mm]	L4 [mm]	L5 [mm]	L6 [mm]
3/8	50	159	28	62	97	40	77	8	123	194	73	36	25	261	76
1/2	50	159	28	62	97	40	77	8	122	194	73	36	25	261	76
3/4	58	168	32	71	97	40	77	8	141	194	86	43	25	261	76
1	68	168	36	71	97	40	77	8	161	194	99	50	25	261	76
1 1/4	84	203	45	84	119	51	99	9	187	224	120	60	45	305	95
1 1/2	97	203	51	84	119	51	99	9	213	224	137	69	45	305	95
2	124	225	65	106	119	51	99	9	261	224	179	89	45	305	95

Inch	L7 [mm]	M	z [mm]	z1 [mm]
3/8	48	6	85	42
1/2	48	6	77	38
3/4	48	6	92	46
1	48	6	105	53
1 1/4	59	8	126	63
1 1/2	59	8	143	72
2	59	8	185	92



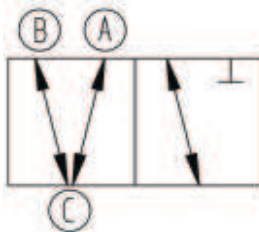
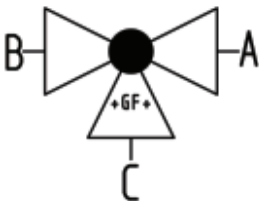
PVC-U ASTM/ANSI



3-Way ball valve type 285 PVC-U Horizontal/T-port DA (Double acting) Without manual override With threaded sockets NPT

Model:

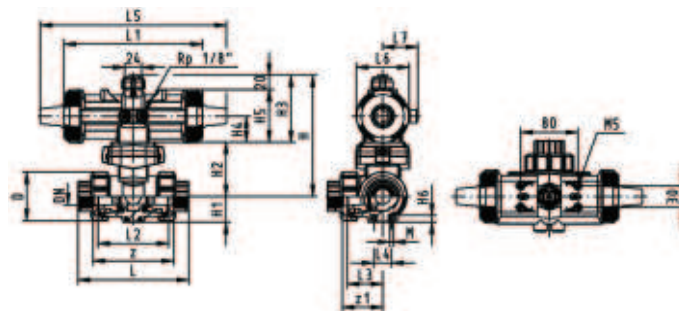
- Built on with pneumatic actuator PA11 (DN10/15-25), PA21 (DN32-50)
- Basic position A-B-C opened, activated position B-C opened, see flow scheme
- Control time 90°<) 1-3 s
- For easy installation and removal
- Integrated stainless steel mounting inserts



NPT [inch]	DN [mm]	PN	kv-value ($\Delta p=1$ bar) [l/min]	EPDM Code	FPM Code
3/8	10	10	140	199 285 562	199 285 572
1/2	15	10	200	199 285 563	199 285 573
3/4	20	10	470	199 285 564	199 285 574
1	25	10	793	199 285 565	199 285 575
1 1/4	32	10	1290	199 285 566	199 285 576
1 1/2	40	10	1910	199 285 567	199 285 577
2	50	10	3100	199 285 568	199 285 578

NPT [inch]	D [mm]	H [mm]	H1 [mm]	H2 [mm]	H3 [mm]	H4 [mm]	H5 [mm]	H6 [mm]	L [mm]	L1 [mm]	L2 [mm]	L3 [mm]	L4 [mm]	L5 [mm]	L6 [mm]
3/8	50	159	28	62	97	40	77	8	115	194	73	36	25	261	76
1/2	50	159	28	62	97	40	77	8	114	194	73	36	25	261	76
3/4	58	168	32	71	97	40	77	8	131	194	86	43	25	261	76
1	68	168	36	71	97	40	77	8	155	194	99	50	25	261	76
1 1/4	84	203	45	84	119	51	99	9	181	224	120	60	45	305	95
1 1/2	97	203	51	84	119	51	99	9	205	224	137	69	45	305	95
2	124	225	65	106	119	51	99	9	261	224	179	89	45	305	95

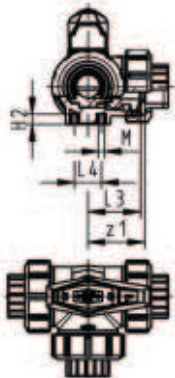
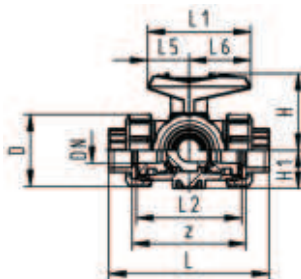
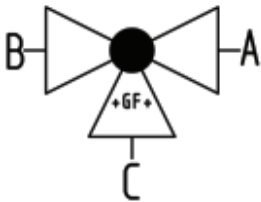
NPT [inch]	L7 [mm]	M	z [mm]	z1 [mm]
3/8	48	6	87	43
1/2	48	6	81	40
3/4	48	6	96	48
1	48	6	111	56
1 1/4	59	8	134	67
1 1/2	59	8	159	80
2	59	8	213	106



PVC-U ASTM/ANSI/BS silicone free/paintcompatible

Ball valves

3-Way ball valve type 543 PVC-U SF Horizontal/L-port With solvent cement sockets ASTM



Model:

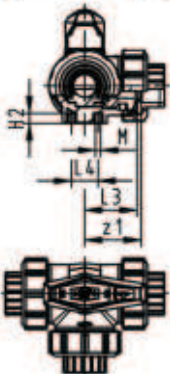
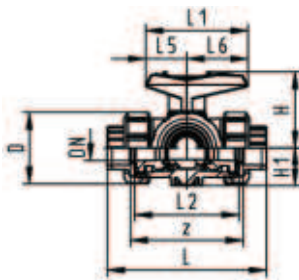
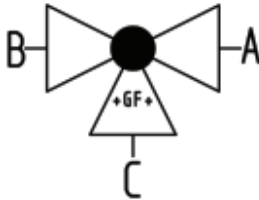
- For easy installation and removal (valve end and union nut are compatible with type 546)
- Ball seals PTFE
- Pneumatic or electric actuator available separately
- Angle of operation 360° without turn limiter
- Turn limiter 90° enclosed, in different positions usable as a clip-on ring
- Integrated stainless steel mounting inserts
- Silicone free / paint-compatible
- Delivery status A-C opened, see flow scheme

Inch	DN [mm]	PN	kv-value ($\Delta p=1$ bar) [l/min]	EPDM Code	FPM Code
3/8	10	10	50	161 543 181	161 543 191
1/2	15	10	75	161 543 182	161 543 192
3/4	20	10	150	161 543 183	161 543 193
1	25	10	280	161 543 184	161 543 194
1 1/4	32	10	480	161 543 185	161 543 195
1 1/2	40	10	620	161 543 186	161 543 196
2	50	10	1230	161 543 187	161 543 197

Inch	D [mm]	L [mm]	L1 [mm]	L2 [mm]	L3 [mm]	L4 [mm]	L5 [mm]	L6 [mm]	H [mm]	H1 [mm]	H2 [mm]	M	z [mm]	z1 [mm]
3/8	50	123	77	73	36	25	32	45	57	28	8	6	85	42
1/2	50	122	77	73	36	25	32	45	57	28	8	6	77	38
3/4	58	141	97	86	43	25	39	58	67	32	8	6	92	46
1	68	161	97	99	50	25	39	58	73	36	8	6	105	53
1 1/4	84	187	128	120	60	45	54	74	90	45	9	8	126	63
1 1/2	97	213	128	137	69	45	54	74	97	51	9	8	143	72
2	124	261	152	179	89	45	66	87	116	65	9	8	185	92

PVC-U ASTM/ANSI/BS silicone free/paintcompatible

3-Way ball valve type 543 PVC-U SF Horizontal/T-port With solvent cement sockets ASTM



Model:

- For easy installation and removal (valve end and union nut are compatible with type 546)
- Ball seals PTFE
- Pneumatic or electric actuator available separately
- Angle of operation 360° without turn limiter
- Turn limiter 90° enclosed, in different positions usable as a clip-on ring
- Integrated stainless steel mounting inserts
- Silicone free / paint-compatible
- Delivery status A-B-C opened, see flow scheme

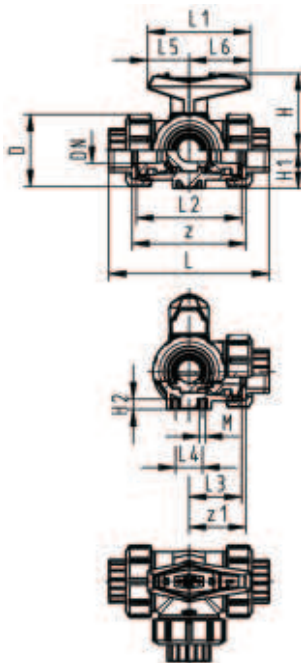
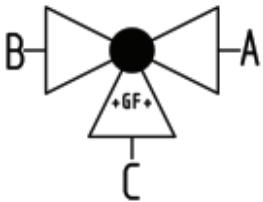
Inch	DN [mm]	PN	kv-value ($\Delta p=1$ bar) [l/min]	EPDM Code	FPM Code
3/8	10	10	140	161 543 381	161 543 391
1/2	15	10	200	161 543 382	161 543 392
3/4	20	10	470	161 543 383	161 543 393
1	25	10	793	161 543 384	161 543 394
1 1/4	32	10	1290	161 543 385	161 543 395
1 1/2	40	10	1910	161 543 386	161 543 396
2	50	10	3100	161 543 387	161 543 397

Inch	D [mm]	L [mm]	L1 [mm]	L2 [mm]	L3 [mm]	L4 [mm]	L5 [mm]	L6 [mm]	H [mm]	H1 [mm]	H2 [mm]	M	z [mm]	z1 [mm]
3/8	50	123	77	73	36	25	32	45	57	28	8	6	85	42
1/2	50	122	77	73	36	25	32	45	57	28	8	6	77	38
3/4	58	141	97	86	43	25	39	58	67	32	8	6	92	46
1	68	161	97	99	50	25	39	58	73	36	8	6	105	53
1 1/4	84	187	128	120	60	45	54	74	90	45	9	8	126	63
1 1/2	97	213	128	137	69	45	54	74	97	51	9	8	143	72
2	124	261	152	179	89	45	66	87	116	65	9	8	185	92

PVC-U JIS

Ball valves

3-Way ball valve type 543 PVC-U Horizontal/L-port With solvent cement sockets JIS



Model:

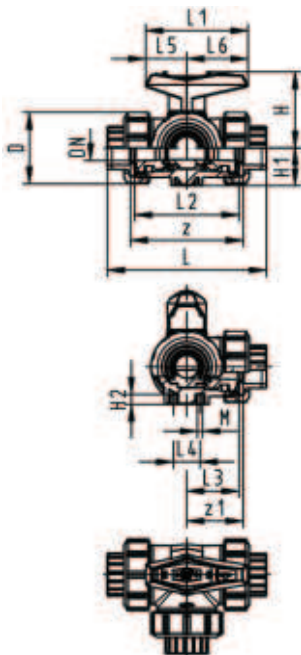
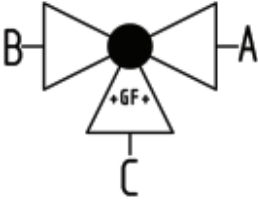
- For easy installation and removal (valve end and union nut are compatible with type 546)
- Ball seals PTFE
- Pneumatic or electric actuator available separately
- Angle of operation 360° without turn limiter
- Turn limiter 90° enclosed, in different positions usable as a clip-on ring
- Integrated stainless steel mounting inserts
- Delivery status A-C opened, see flow scheme

Inch	DN [mm]	PN	kv-value (Δp=1 bar) [l/min]	EPDM Code	FPM Code
1/2	15	10	75	161 543 122	161 543 132
3/4	20	10	150	161 543 123	161 543 133
1	25	10	280	161 543 124	161 543 134
1 1/4	32	10	480	161 543 125	161 543 135
1 1/2	40	10	620	161 543 126	161 543 136
2	50	10	1230	161 543 127	161 543 137

Inch	D [mm]	L [mm]	L1 [mm]	L2 [mm]	L3 [mm]	L4 [mm]	L5 [mm]	L6 [mm]	H [mm]	H1 [mm]	H2 [mm]	M	z [mm]	z1 [mm]
1/2	50	112	77	73	36	25	32	45	57	28	8	6	81	40
3/4	58	131	97	86	43	25	39	58	67	32	8	6	94	47
1	68	151	97	99	50	25	39	58	73	36	8	6	107	54
1 1/4	84	181	128	120	60	45	54	74	90	45	9	8	130	65
1 1/2	97	205	128	137	69	45	54	74	97	51	9	8	143	72
2	124	261	152	179	89	45	66	87	116	65	9	8	185	92

PVC-U JIS

3-Way ball valve type 543 PVC-U Horizontal/T-port With solvent cement sockets JIS



Model:

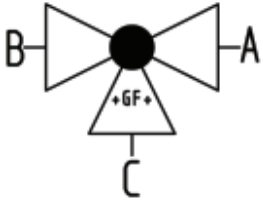
- For easy installation and removal (valve end and union nut are compatible with type 546)
- Ball seals PTFE
- Pneumatic or electric actuator available separately
- Angle of operation 360° without turn limiter
- Turn limiter 90° enclosed, in different positions usable as a clip-on ring
- Integrated stainless steel mounting inserts
- Delivery status A-B-C opened, see flow scheme

Inch	DN [mm]	PN	kv-value ($\Delta p=1$ bar) [l/min]	EPDM Code	FPM Code
1/2	15	10	200	161 543 322	161 543 332
3/4	20	10	470	161 543 323	161 543 333
1	25	10	793	161 543 324	161 543 334
1 1/4	32	10	1290	161 543 325	161 543 335
1 1/2	40	10	1910	161 543 326	161 543 336
2	50	10	3100	161 543 327	161 543 337

Inch	D [mm]	L [mm]	L1 [mm]	L2 [mm]	L3 [mm]	L4 [mm]	L5 [mm]	L6 [mm]	H [mm]	H1 [mm]	H2 [mm]	M	z [mm]	z1 [mm]
1/2	50	112	77	73	36	25	32	45	57	28	8	6	81	40
3/4	58	131	97	86	43	25	39	58	67	32	8	6	94	47
1	68	151	97	99	50	25	39	58	73	36	8	6	107	54
1 1/4	84	181	128	120	60	45	54	74	90	45	9	8	130	65
1 1/2	97	205	128	137	69	45	54	74	97	51	9	8	143	72
2	124	261	152	179	89	45	66	87	116	65	9	8	185	92

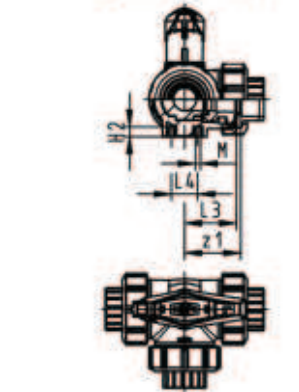
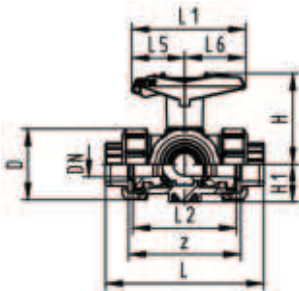
PVC-U JIS

3-Way ball valve type 543 PVC-U Horizontal/L-port With lockable handle With solvent cement sockets JIS



Model:

- For easy installation and removal (valve end and union nut are compatible with type 546)
- Ball seals PTFE
- Pneumatic or electric actuator available separately
- Angle of operation 360° without turn limiter
- Turn limiter 90° enclosed, in different positions usable as a clip-on ring
- Integrated stainless steel mounting inserts
- Multifunctional lever red with ratched setting 45°, lockable
- Delivery status A-C opened, see flow scheme



Inch	DN [mm]	PN	kv-value (Δp=1 bar) [l/min]	EPDM Code	FPM Code
1/2	15	10	75	161 543 522	161 543 532
3/4	20	10	150	161 543 523	161 543 533
1	25	10	280	161 543 524	161 543 534
1 1/4	32	10	480	161 543 525	161 543 535
1 1/2	40	10	620	161 543 526	161 543 536
2	50	10	1230	161 543 527	161 543 537

Inch	D [mm]	L [mm]	L1 [mm]	L2 [mm]	L3 [mm]	L4 [mm]	L5 [mm]	L6 [mm]	H [mm]	H1 [mm]	H2 [mm]	M	z [mm]	z1 [mm]
1/2	50	112	87	73	36	25	42	45	79	28	8	6	81	40
3/4	58	131	108	86	43	25	50	58	88	32	8	6	94	47
1	68	151	108	99	50	25	50	58	94	36	8	6	107	54
1 1/4	84	181	141	120	60	45	66	75	113	45	9	8	130	65
1 1/2	97	205	141	137	69	45	66	75	119	51	9	8	143	72
2	124	261	165	179	89	45	78	87	141	65	9	8	185	92

PVC-U JIS

3-Way ball valve type 543 PVC-U Vertical/L-port With solvent cement sockets JIS

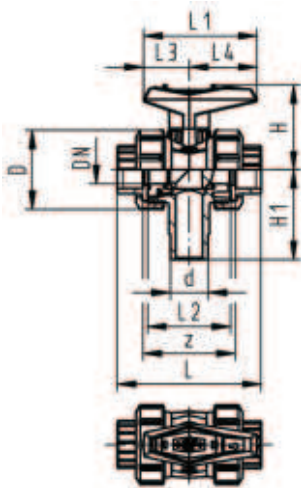
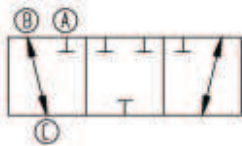
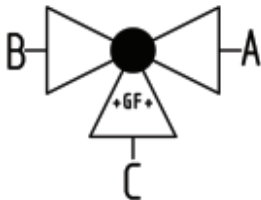


Model:

- Vertical inlet solvent cement spigot metric
- Easy installation and removal using union on third outlet
- Ball seals PTFE
- Electric actuator available separately
- Angle of operation 360° without turn limiter
- Delivery status B-C opened, see flow scheme

Mode of action:

- For interconnection of two inputs



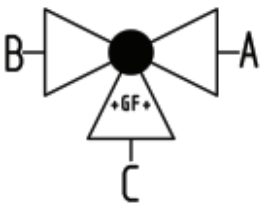
Inch	DN [mm]	PN	kv-value ($\Delta p=1$ bar) [l/min]	EPDM Code	FPM Code
1/2	15	10	77	161 543 942	161 543 952
3/4	20	10	146	161 543 943	161 543 953
1	25	10	260	161 543 944	161 543 954
1 1/4	32	10	437	161 543 945	161 543 955
1 1/2	40	10	667	161 543 946	161 543 956
2	50	10	1293	161 543 947	161 543 957

Inch	D [mm]	L [mm]	L1 [mm]	L2 [mm]	L3 [mm]	L4 [mm]	H [mm]	H1 [mm]	z [mm]
1/2	50	95	77	56	32	45	57	62	64
3/4	58	111	97	66	39	58	67	72	74
1	68	123	97	71	39	58	73	77	79
1 1/4	84	146	128	85	54	74	90	87	95
1 1/2	97	157	128	89	54	74	97	97	95
2	124	183	152	101	66	87	116	112	107

PVC-U JIS

Ball valves electric

**3-Way ball valve type 185 PVC-U
Horizontal/L-port 100-230V
With manual emergency override
With solvent cement sockets JIS**



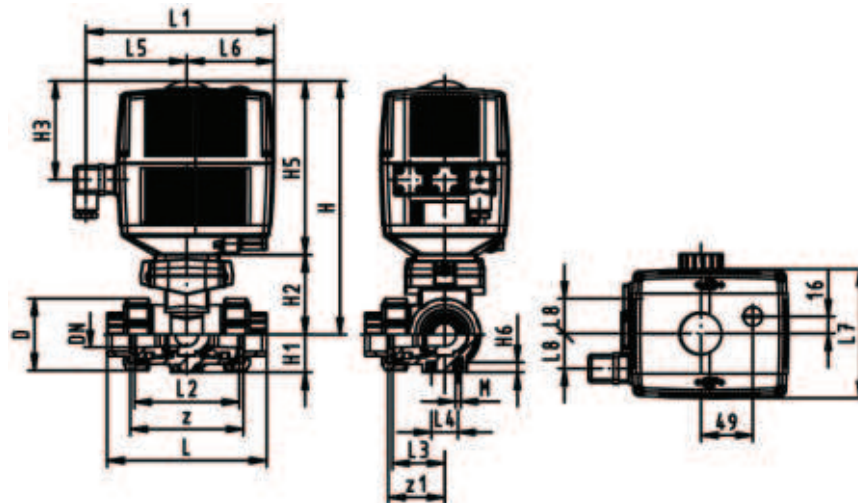
Model:

- Built on with electric actuator EA21
- Voltage 100-230 V, 50-60 Hz
- Control range 90°<
- Basic position A-C opened, activated position B-C opened, see flow scheme
- Other positions possible by adjusting the limit switches
- Control time 5 s/90°<
- For easy installation and removal
- Integrated stainless steel mounting inserts

Inch	DN [mm]	PN	kv-value (Δp=1 bar) [l/min]	EPDM Code	FPM Code
½	15	10	75	199 185 843	199 185 853
¾	20	10	150	199 185 844	199 185 854
1	25	10	280	199 185 845	199 185 855
1 ¼	32	10	480	199 185 846	199 185 856
1 ½	40	10	620	199 185 847	199 185 857
2	50	10	1230	199 185 848	199 185 858

Inch	D [mm]	H [mm]	H1 [mm]	H2 [mm]	H3 [mm]	H5 [mm]	H6 [mm]	L [mm]	L1 [mm]	L2 [mm]	L3 [mm]	L4 [mm]	L5 [mm]	L6 [mm]	L7 [mm]
½	50	231	28	64	94	167	8	112	180	73	36	25	97	83	122
¾	58	240	32	73	94	167	8	131	180	86	43	25	97	83	122
1	68	240	36	73	94	167	8	151	180	99	50	25	97	83	122
1 ¼	84	251	45	84	94	167	9	181	180	120	60	45	97	83	122
1 ½	97	251	51	84	94	167	9	205	180	137	69	45	97	83	122
2	124	273	65	106	94	167	9	261	180	179	89	45	97	83	122

Inch	L8 [mm]	M	z [mm]	z1 [mm]
½	33	6	81	40
¾	33	6	94	47
1	33	6	107	54
1 ¼	33	8	130	65
1 ½	33	8	143	72
2	33	8	185	92



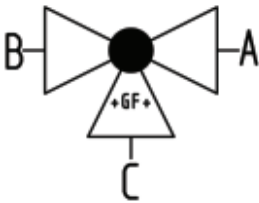
PVC-U JIS



3-Way ball valve type 185 PVC-U Horizontal/L-port 24V With manual emergency override With solvent cement sockets JIS

Model:

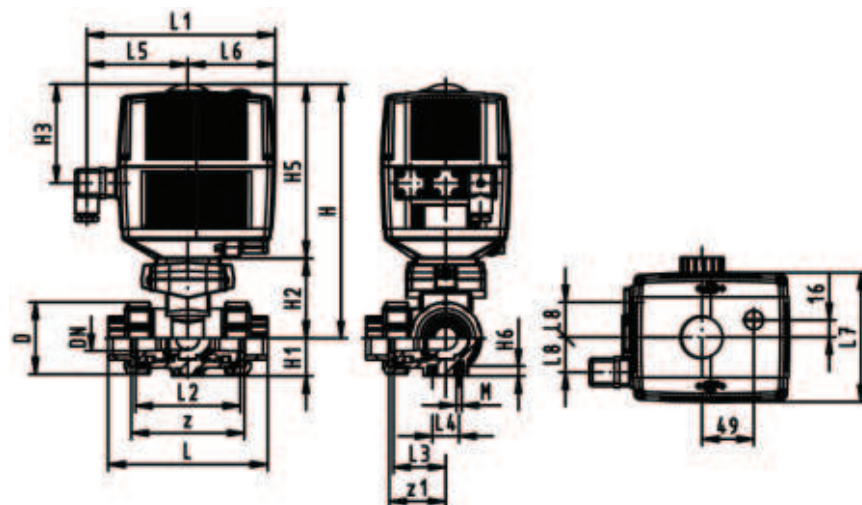
- Built on with electric actuator EA21
- Voltage 24 V AC/DC
- Control range 90°<
- Basic position A-C opened, activated position B-C opened, see flow scheme
- Other positions possible by adjusting the limit switches
- Control time 5 s/90°<
- For easy installation and removal
- Integrated stainless steel mounting inserts



Inch	DN [mm]	PN	kv-value ($\Delta p=1$ bar) [l/min]	EPDM Code
1/2	15	10	75	199 185 923
3/4	20	10	150	199 185 924
1	25	10	280	199 185 925
1 1/4	32	10	480	199 185 926
1 1/2	40	10	620	199 185 927
2	50	10	1230	199 185 928

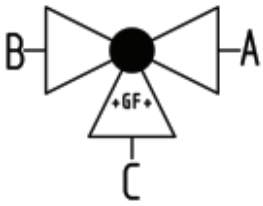
Inch	D [mm]	H [mm]	H1 [mm]	H2 [mm]	H3 [mm]	H5 [mm]	H6 [mm]	L [mm]	L1 [mm]	L2 [mm]	L3 [mm]	L4 [mm]	L5 [mm]	L6 [mm]	L7 [mm]
1/2	50	231	28	64	94	167	8	112	180	73	36	25	97	83	122
3/4	58	240	32	73	94	167	8	131	180	86	43	25	97	83	122
1	68	240	36	73	94	167	8	151	180	99	50	25	97	83	122
1 1/4	84	251	45	84	94	167	9	181	180	120	60	45	97	83	122
1 1/2	97	251	51	84	94	167	9	205	180	137	69	45	97	83	122
2	124	273	65	106	94	167	9	261	180	179	89	45	97	83	122

Inch	L8 [mm]	M	z [mm]	z1 [mm]
1/2	33	6	81	40
3/4	33	6	94	47
1	33	6	107	54
1 1/4	33	8	130	65
1 1/2	33	8	143	72
2	33	8	185	92



PVC-U JIS

3-Way ball valve type 185 PVC-U Horizontal/T-port 100-230V With manual emergency override With solvent cement sockets JIS



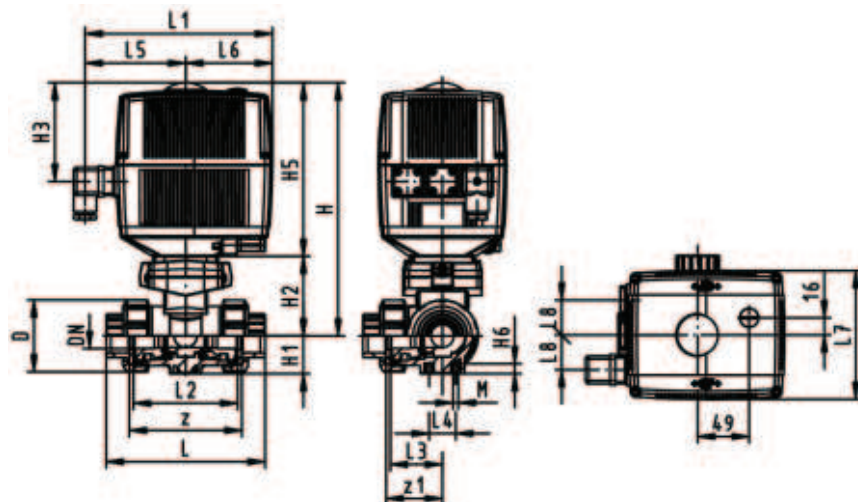
Model:

- Built on with electric actuator EA21
- Voltage 100-230 V, 50-60 Hz
- Control range 90°<
- Basic position A-B-C opened, activated position B-C opened, see flow scheme
- Other positions possible by adjusting the limit switches
- Control time 5 s/90°<
- For easy installation and removal
- Integrated stainless steel mounting inserts

Inch	DN [mm]	PN	kv-value (Δp=1 bar) [l/min]	EPDM Code	FPM Code
½	15	10	200	199 185 863	199 185 873
¾	20	10	470	199 185 864	199 185 874
1	25	10	793	199 185 865	199 185 875
1 ¼	32	10	1290	199 185 866	199 185 876
1 ½	40	10	1910	199 185 867	199 185 877
2	50	10	3100	199 185 868	199 185 878

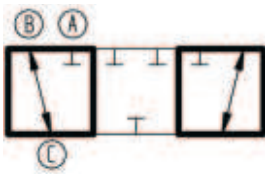
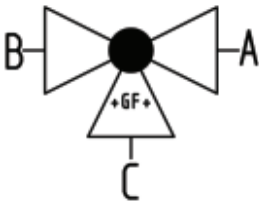
Inch	D [mm]	H [mm]	H1 [mm]	H2 [mm]	H3 [mm]	H5 [mm]	H6 [mm]	L [mm]	L1 [mm]	L2 [mm]	L3 [mm]	L4 [mm]	L5 [mm]	L6 [mm]	L7 [mm]
½	50	231	28	64	94	167	8	112	180	73	36	25	97	83	122
¾	58	240	32	73	94	167	8	131	180	86	43	25	97	83	122
1	68	240	36	73	94	167	8	151	180	99	50	25	97	83	122
1 ¼	84	251	45	84	94	167	9	181	180	120	60	45	97	83	122
1 ½	97	251	51	84	94	167	9	205	180	137	69	45	97	83	122
2	124	273	65	106	94	167	9	261	180	179	89	45	97	83	122

Inch	L8 [mm]	M	z [mm]	z1 [mm]
½	33	6	81	40
¾	33	6	94	47
1	33	6	107	54
1 ¼	33	8	130	65
1 ½	33	8	143	72
2	33	8	185	92



PVC-U JIS

3-Way ball valve type 188 PVC-U Vertical/L-port 100-230V With manual emergency override With solvent cement sockets JIS

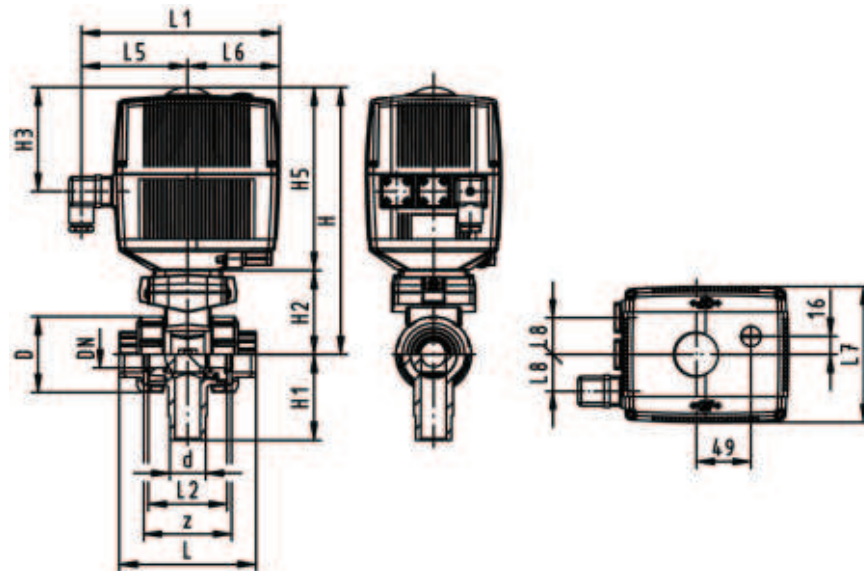


Model:

- Vertical inlet solvent cement spigot metric
- Built on with electric actuator EA21
- Voltage 100-230 V, 50-60 Hz
- Control range 180°<
- Basic position B-C opened, activated position A-C opened, see flow scheme
- Control time 10 s/180°<
- Easy installation and removal using union on third outlet

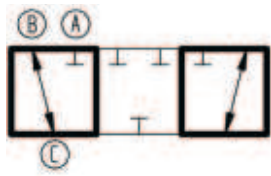
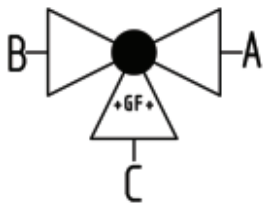
Inch	DN [mm]	PN	kv-value (Δp=1 bar) [l/min]	EPDM Code	FPM Code
1/2	15	10	77	199 188 333	199 188 343
3/4	20	10	146	199 188 334	199 188 344
1	25	10	260	199 188 335	199 188 345
1 1/4	32	10	437	199 188 336	199 188 346
1 1/2	40	10	667	199 188 337	199 188 347
2	50	10	1293	199 188 338	199 188 348

Inch	D [mm]	H [mm]	H1 [mm]	H2 [mm]	H3 [mm]	H5 [mm]	L [mm]	L1 [mm]	L2 [mm]	L5 [mm]	L6 [mm]	L7 [mm]	L8 [mm]	z [mm]
1/2	50	231	62	64	94	167	95	180	56	97	83	122	33	64
3/4	58	240	72	73	94	167	111	180	66	97	83	122	33	74
1	68	240	77	73	94	167	123	180	71	97	83	122	33	79
1 1/4	84	251	87	84	94	167	146	180	85	97	83	122	33	95
1 1/2	97	251	97	84	94	167	157	180	89	97	83	122	33	95
2	124	273	112	106	94	167	183	180	101	97	83	122	33	107



PVC-U JIS

3-Way ball valve type 188 PVC-U Vertical/L-port 24V With manual emergency override With solvent cement sockets JIS

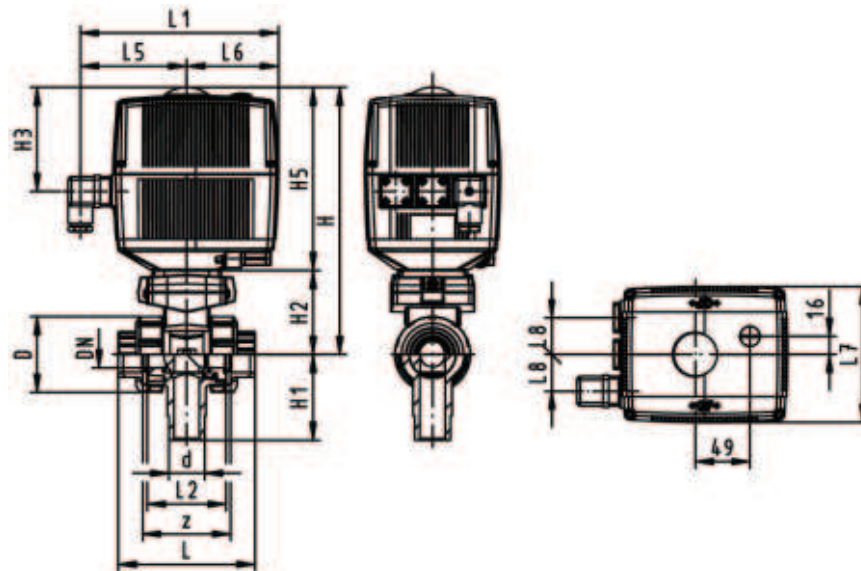


Model:

- Vertical inlet solvent cement spigot metric
- Built on with electric actuator EA21
- Voltage 24 V AC/DC
- Control range 180°<
- Basic position B-C opened, activated position A-C opened, see flow scheme
- Control time 10 s/180°<
- Easy installation and removal using union on third outlet

Inch	DN [mm]	PN	kv-value (Δp=1 bar) [l/min]	EPDM Code	FPM Code
1/2	15	10	77	199 188 413	199 188 423
3/4	20	10	146	199 188 414	199 188 424
1	25	10	260	199 188 415	199 188 425
1 1/4	32	10	437	199 188 416	199 188 426
1 1/2	40	10	667	199 188 417	199 188 427
2	50	10	1293	199 188 418	199 188 428

Inch	D [mm]	H [mm]	H1 [mm]	H2 [mm]	H3 [mm]	H5 [mm]	L [mm]	L1 [mm]	L2 [mm]	L5 [mm]	L6 [mm]	L7 [mm]	L8 [mm]	z [mm]
1/2	50	231	62	64	94	167	95	180	56	97	83	122	33	64
3/4	58	240	72	73	94	167	111	180	66	97	83	122	33	74
1	68	240	77	73	94	167	123	180	71	97	83	122	33	79
1 1/4	84	251	87	84	94	167	146	180	85	97	83	122	33	95
1 1/2	97	251	97	84	94	167	157	180	89	97	83	122	33	95
2	124	273	112	106	94	167	183	180	101	97	83	122	33	107



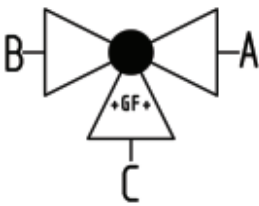
PVC-U JIS

3-Way ball valve type 188 PVC-U Vertical diverter ball 100-230V With manual emergency override With solvent cement sockets JIS



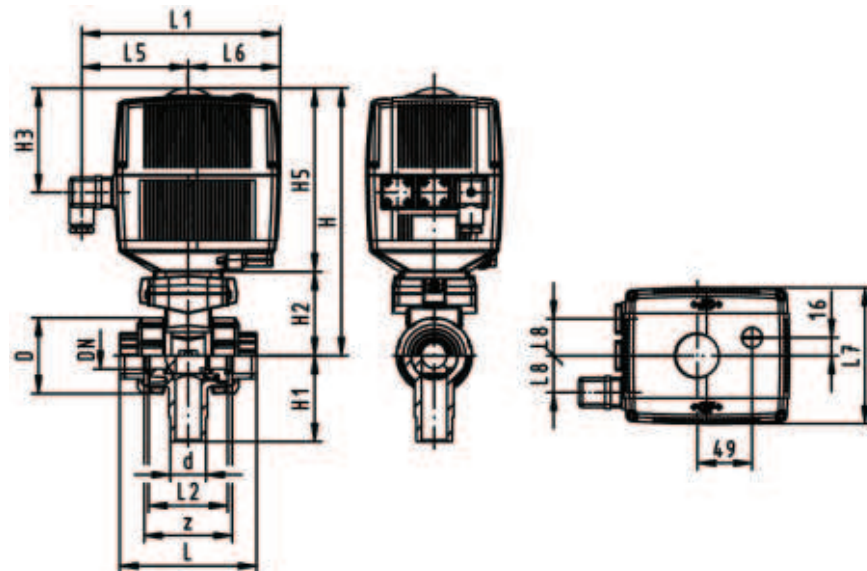
Model:

- Vertical inlet solvent cement spigot metric
- Built on with electric actuator EA21
- Voltage 100-230 V, 50-60 Hz
- Control range 180°<
- Basic position B-C opened, activated position A-C opened, see flow scheme
- Other positions possible by adjusting the limit switches
- Control time 10 s/180°<
- Easy installation and removal using union on third outlet



Inch	DN [mm]	PN	kv-value (Δp=1 bar) [l/min]	EPDM Code	FPM Code
1/2	15	10	77	199 188 373	199 188 383
3/4	20	10	146	199 188 374	199 188 384
1	25	10	260	199 188 375	199 188 385
1 1/4	32	10	437	199 188 376	199 188 386
1 1/2	40	10	667	199 188 377	199 188 387
2	50	10	1293	199 188 378	199 188 388

Inch	D [mm]	H [mm]	H1 [mm]	H2 [mm]	H3 [mm]	H5 [mm]	L [mm]	L1 [mm]	L2 [mm]	L5 [mm]	L6 [mm]	L7 [mm]	L8 [mm]	z [mm]
1/2	50	231	62	64	94	167	95	180	56	97	83	122	33	64
3/4	58	240	72	73	94	167	111	180	66	97	83	122	33	74
1	68	240	77	73	94	167	123	180	71	97	83	122	33	79
1 1/4	84	251	87	84	94	167	146	180	85	97	83	122	33	95
1 1/2	97	251	97	84	94	167	157	180	89	97	83	122	33	95
2	124	273	112	106	94	167	183	180	101	97	83	122	33	107



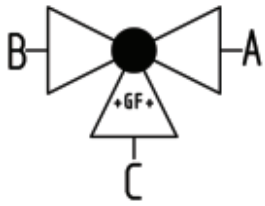
PVC-U JIS

3-Way ball valve type 188 PVC-U Vertical diverter ball 24V With manual emergency override With solvent cement sockets JIS



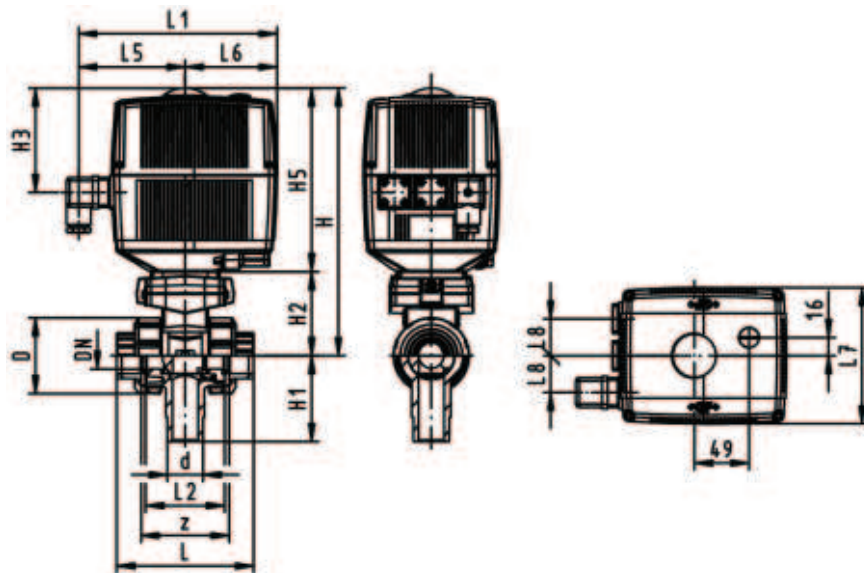
Model:

- Vertical inlet solvent cement spigot metric
- Built on with electric actuator EA21
- Voltage 24 V AC/DC
- Control range 180°<
- Basic position B-C opened, activated position A-C opened, see flow scheme
- Other positions possible by adjusting the limit switches
- Control time 10 s/180°<
- Easy installation and removal using union on third outlet



Inch	DN [mm]	PN	kv-value (Δp=1 bar) [l/min]	EPDM Code
½	15	10	77	199 188 433
¾	20	10	146	199 188 434
1	25	10	260	199 188 435
1 ¼	32	10	437	199 188 436
1 ½	40	10	667	199 188 437
2	50	10	1293	199 188 438

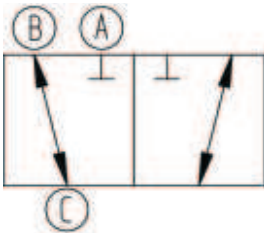
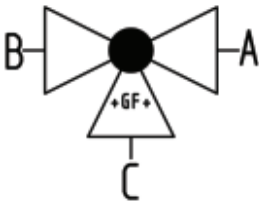
Inch	D [mm]	H [mm]	H1 [mm]	H2 [mm]	H3 [mm]	H5 [mm]	L [mm]	L1 [mm]	L2 [mm]	L5 [mm]	L6 [mm]	L7 [mm]	L8 [mm]	z [mm]
½	50	231	62	64	94	167	95	180	56	97	83	122	33	64
¾	58	240	72	73	94	167	111	180	66	97	83	122	33	74
1	68	240	77	73	94	167	123	180	71	97	83	122	33	79
1 ¼	84	251	87	84	94	167	146	180	85	97	83	122	33	95
1 ½	97	251	97	84	94	167	157	180	89	97	83	122	33	95
2	124	273	112	106	94	167	183	180	101	97	83	122	33	107



PVC-U JIS

Ball valves pneumatic

3-Way ball valve type 285 PVC-U Horizontal/L-port Without manual override With solvent cement sockets JIS



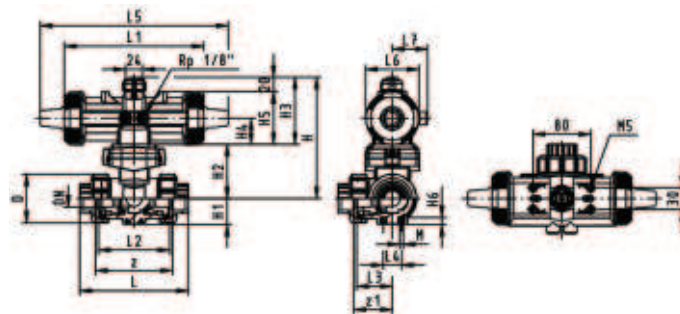
Model:

- Built on with pneumatic actuator PA11 (DN10/15-25), PA21 (DN32-50)
- Actuator fails safe to the closed position FC
- Basic position B-C opened, activated position A-C opened, see flow scheme
- Control time 90°<) 1-3 s
- For easy installation and removal
- Integrated stainless steel mounting inserts

Inch	DN [mm]	PN	kv-value (Δp=1 bar) [l/min]	EPDM Code	FPM Code
1/2	15	10	75	199 285 863	199 285 873
3/4	20	10	150	199 285 864	199 285 874
1	25	10	280	199 285 865	199 285 875
1 1/4	32	10	480	199 285 866	199 285 876
1 1/2	40	10	620	199 285 867	199 285 877
2	50	10	1230	199 285 868	199 285 878

Inch	D [mm]	H [mm]	H1 [mm]	H2 [mm]	H3 [mm]	H4 [mm]	H5 [mm]	H6 [mm]	L [mm]	L1 [mm]	L2 [mm]	L3 [mm]	L4 [mm]	L5 [mm]	L6 [mm]
1/2	50	159	28	62	97	40	77	8	112	194	73	36	25	261	76
3/4	58	168	32	71	97	40	77	8	131	194	86	43	25	261	76
1	68	168	36	71	97	40	77	8	151	194	99	50	25	261	76
1 1/4	84	203	45	84	119	51	99	9	181	224	120	60	45	305	95
1 1/2	97	203	51	84	119	51	99	9	205	224	137	69	45	305	95
2	124	225	65	106	119	51	99	9	261	224	179	89	45	305	95

Inch	L7 [mm]	M	z [mm]	z1 [mm]
1/2	48	6	81	40
3/4	48	6	94	47
1	48	6	107	54
1 1/4	59	8	130	65
1 1/2	59	8	143	72
2	59	8	185	92



PVC-U JIS

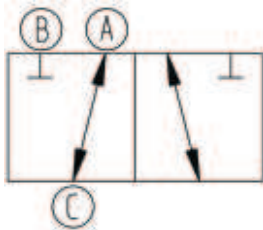
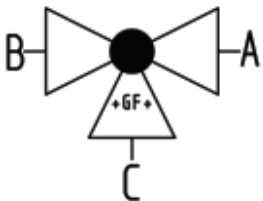


3-Way ball valve type 285 PVC-U Horizontal/L-port DA (Double acting) Without manual override With solvent cement sockets JIS



Model:

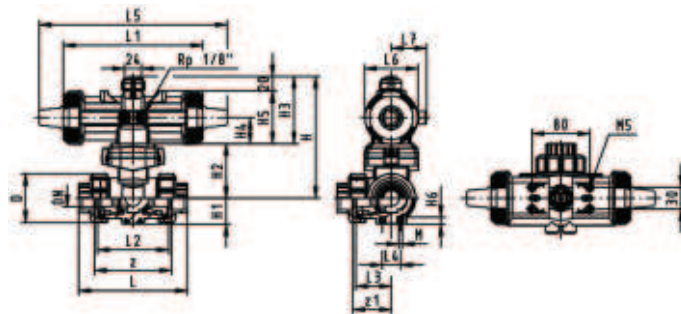
- Built on with pneumatic actuator PA11 (DN10/15-25), PA21 (DN32-50)
- Basic position A-C opened, activated position B-C opened, see flow scheme
- Control time 90°<) 1-3 s
- For easy installation and removal
- Integrated stainless steel mounting inserts



Inch	DN [mm]	PN	kv-value (Δp=1 bar) [l/min]	EPDM Code	FPM Code
1/2	15	10	75	199 285 643	199 285 653
3/4	20	10	150	199 285 644	199 285 654
1	25	10	280	199 285 645	199 285 655
1 1/4	32	10	480	199 285 646	199 285 656
1 1/2	40	10	620	199 285 647	199 285 657
2	50	10	1230	199 285 648	199 285 658

Inch	D [mm]	H [mm]	H1 [mm]	H2 [mm]	H3 [mm]	H4 [mm]	H5 [mm]	H6 [mm]	L [mm]	L1 [mm]	L2 [mm]	L3 [mm]	L4 [mm]	L5 [mm]	L6 [mm]
1/2	50	159	28	62	97	40	77	8	112	194	73	36	25	261	76
3/4	58	168	32	71	97	40	77	8	131	194	86	43	25	261	76
1	68	168	36	71	97	40	77	8	151	194	99	50	25	261	76
1 1/4	84	203	45	84	119	51	99	9	181	224	120	60	45	305	95
1 1/2	97	203	51	84	119	51	99	9	205	224	137	69	45	305	95
2	124	225	65	106	119	51	99	9	261	224	179	89	45	305	95

Inch	L7 [mm]	M	z [mm]	z1 [mm]
1/2	48	6	81	40
3/4	48	6	94	47
1	48	6	107	54
1 1/4	59	8	130	65
1 1/2	59	8	143	72
2	59	8	185	92



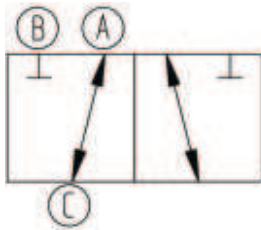
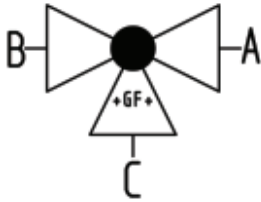
PVC-U JIS



3-Way ball valve type 288 PVC-U Vertical diverter ball Without manual override With solvent cement sockets JIS

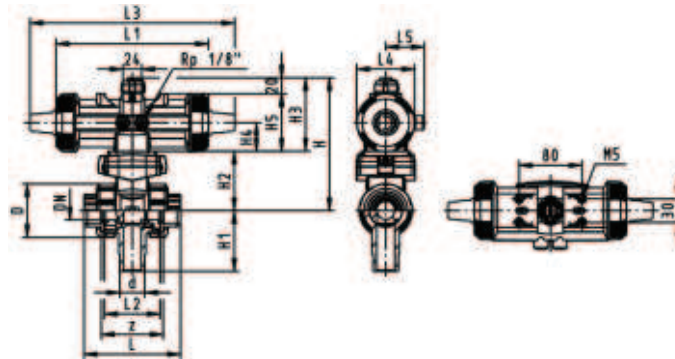
Model:

- Vertical inlet solvent cement spigot metric
- Built on with pneumatic actuator PA11 (DN10/15-25), PA21 (DN32-50)
- Actuator fails safe to the closed position FC
- Basic position A-C opened, activated position B-C opened, see flow scheme
- Control time 90°< 1-3 s
- Easy installation and removal using union on third outlet



Inch	DN [mm]	PN	kv-value (Δp=1 bar) [l/min]	EPDM Code	FPM Code
1/2	15	10	77	199 288 123	199 288 133
3/4	20	10	146	199 288 124	199 288 134
1	25	10	260	199 288 125	199 288 135
1 1/4	32	10	437	199 288 126	199 288 136
1 1/2	40	10	667	199 288 127	199 288 137
2	50	10	1293	199 288 128	199 288 138

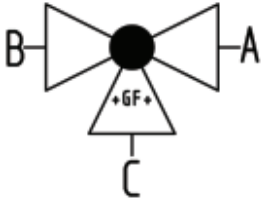
Inch	D [mm]	H [mm]	H1 [mm]	H2 [mm]	H3 [mm]	H4 [mm]	H5 [mm]	L [mm]	L1 [mm]	L2 [mm]	L3 [mm]	L4 [mm]	L5 [mm]	z [mm]
1/2	50	159	62	62	97	40	77	95	194	56	261	76	48	64
3/4	58	168	72	71	97	40	77	111	194	66	261	76	48	74
1	68	168	77	71	97	40	77	123	194	71	261	76	48	79
1 1/4	84	203	87	84	119	51	99	146	224	85	305	95	59	95
1 1/2	97	203	97	84	119	51	99	157	224	89	305	95	59	95
2	124	225	112	106	119	51	99	183	224	101	305	95	59	107



PVC-U JIS oil free

Ball valves

3-Way ball valve type 543 PVC-U OF Horizontal/L-port With solvent cement sockets JIS

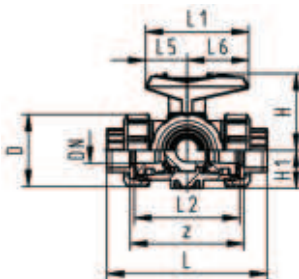


Model:

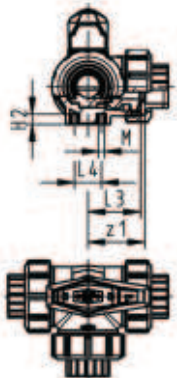
- For easy installation and removal (valve end and union nut are compatible with type 546)
- Ball seals PTFE
- Pneumatic or electric actuator available separately
- Angle of operation 360° without turn limiter
- Turn limiter 90° enclosed, in different positions usable as a clip-on ring
- Integrated stainless steel mounting inserts
- Oil free
- Delivery status A-C opened, see flow scheme



Inch	DN [mm]	PN	kv-value (Δp=1 bar) [l/min]	EPDM Code	FPM Code
1/2	15	10	75	161 543 842	161 543 852
3/4	20	10	150	161 543 843	161 543 853
1	25	10	280	161 543 844	161 543 854
1 1/4	32	10	480	161 543 845	161 543 855
1 1/2	40	10	620	161 543 846	161 543 856
2	50	10	1230	161 543 847	161 543 857

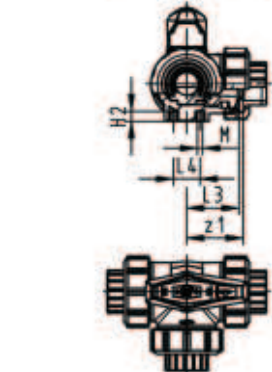
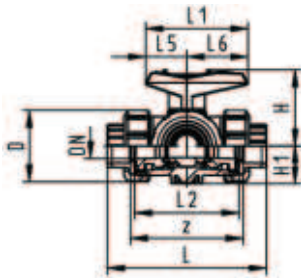
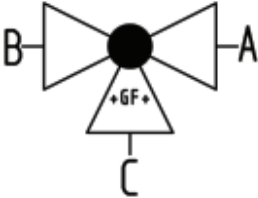


Inch	D [mm]	L [mm]	L1 [mm]	L2 [mm]	L3 [mm]	L4 [mm]	L5 [mm]	L6 [mm]	H [mm]	H1 [mm]	H2 [mm]	M	z [mm]	z1 [mm]
1/2	50	112	77	73	36	25	32	45	57	28	8	6	81	40
3/4	58	131	97	86	43	25	39	58	67	32	8	6	94	47
1	68	151	97	99	50	25	39	58	73	36	8	6	107	54
1 1/4	84	181	128	120	60	45	54	74	90	45	9	8	130	65
1 1/2	97	205	128	137	69	45	54	74	97	51	9	8	143	72
2	124	261	152	179	89	45	66	87	116	65	9	8	185	92



PVC-U JIS oil free

3-Way ball valve type 543 PVC-U OF Horizontal/T-port With solvent cement sockets JIS



Model:

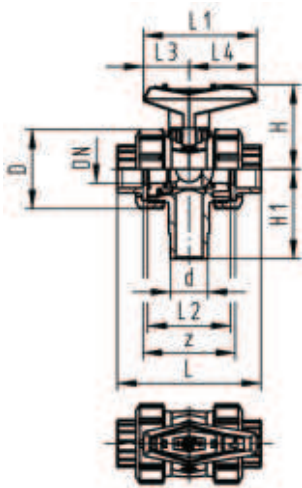
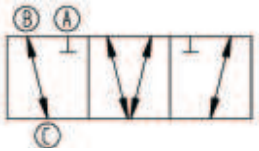
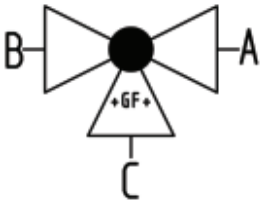
- For easy installation and removal (valve end and union nut are compatible with type 546)
- Ball seals PTFE
- Pneumatic or electric actuator available separately
- Angle of operation 360° without turn limiter
- Turn limiter 90° enclosed, in different positions usable as a clip-on ring
- Integrated stainless steel mounting inserts
- Oil free
- Delivery status A-B-C opened, see flow scheme

Inch	DN [mm]	PN	kv-value (Δp=1 bar) [l/min]	EPDM Code	FPM Code
1/2	15	10	200	161 543 582	161 543 592
3/4	20	10	470	161 543 583	161 543 593
1	25	10	793	161 543 584	161 543 594
1 1/4	32	10	1290	161 543 585	161 543 595
1 1/2	40	10	1910	161 543 586	161 543 596
2	50	10	3100	161 543 587	161 543 597

Inch	D [mm]	L [mm]	L1 [mm]	L2 [mm]	L3 [mm]	L4 [mm]	L5 [mm]	L6 [mm]	H [mm]	H1 [mm]	H2 [mm]	M	z [mm]	z1 [mm]
1/2	50	112	77	73	36	25	32	45	57	28	8	6	81	40
3/4	58	131	97	86	43	25	39	58	67	32	8	6	94	47
1	68	151	97	99	50	25	39	58	73	36	8	6	107	54
1 1/4	84	181	128	120	60	45	54	74	90	45	9	8	130	65
1 1/2	97	205	128	137	69	45	54	74	97	51	9	8	143	72
2	124	261	152	179	89	45	66	87	116	65	9	8	185	92

PVC-U JIS oil free

3-Way ball valve type 543 PVC-U OF Vertical diverter ball With solvent cement sockets JIS



Model:

- Vertical inlet solvent cement spigot metric
- Easy installation and removal using union on third outlet
- Ball seals PTFE
- Electric actuator available separately
- Angle of operation 360° without turn limiter
- Oil free
- Delivery status B-C opened, see flow scheme

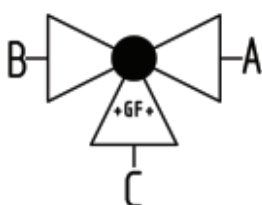
Inch	DN [mm]	PN	kv-value ($\Delta p=1$ bar) [l/min]	EPDM Code	FPM Code
1/2	15	10	77	161 543 982	161 543 992
3/4	20	10	146	161 543 983	161 543 993
1	25	10	260	161 543 984	161 543 994
1 1/4	32	10	437	161 543 985	161 543 995
1 1/2	40	10	667	161 543 986	161 543 996
2	50	10	1293	161 543 987	161 543 997

Inch	D [mm]	L [mm]	L1 [mm]	L2 [mm]	L3 [mm]	L4 [mm]	H [mm]	H1 [mm]	z [mm]
1/2	50	95	77	56	32	45	57	62	64
3/4	58	111	97	66	39	58	67	72	74
1	68	123	97	71	39	58	73	77	79
1 1/4	84	146	128	85	54	74	90	87	95
1 1/2	97	157	128	89	54	74	97	97	95
2	124	183	152	101	66	87	116	112	107

PVC-U JIS oil free

Ball valves electric

3-Way ball valve type 185 PVC-U OF Horizontal/L-port 100-230V With manual emergency override With solvent cement sockets JIS



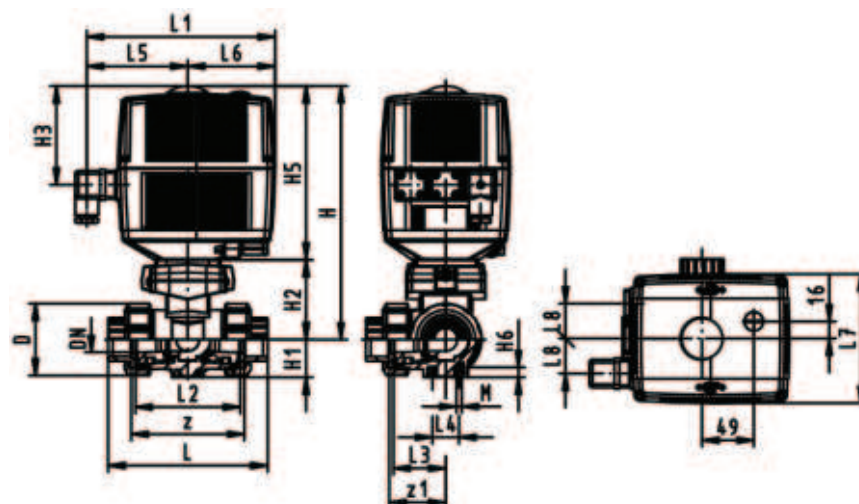
Model:

- Built on with electric actuator EA21
- Voltage 100-230 V, 50-60 Hz
- Control range 90°<
- Basic position A-C opened, activated position B-C opened, see flow scheme
- Other positions possible by adjusting the limit switches
- Control time 5 s/90°<
- For easy installation and removal
- Integrated stainless steel mounting inserts
- Oil free

Inch	DN [mm]	PN	kv-value ($\Delta p=1$ bar) [l/min]	EPDM Code	FPM Code
1/2	15	10	75	199 185 883	199 185 893
3/4	20	10	150	199 185 884	199 185 894
1	25	10	280	199 185 885	199 185 895
1 1/4	32	10	480	199 185 886	199 185 896
1 1/2	40	10	620	199 185 887	199 185 897
2	50	10	1230	199 185 888	199 185 898

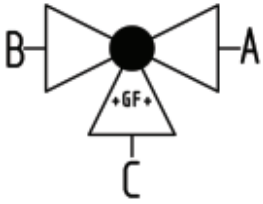
Inch	D [mm]	H [mm]	H1 [mm]	H2 [mm]	H3 [mm]	H5 [mm]	H6 [mm]	L [mm]	L1 [mm]	L2 [mm]	L3 [mm]	L4 [mm]	L5 [mm]	L6 [mm]	L7 [mm]
1/2	50	231	28	64	94	167	8	112	180	73	36	25	97	83	122
3/4	58	240	32	73	94	167	8	131	180	86	43	25	97	83	122
1	68	240	36	73	94	167	8	151	180	99	50	25	97	83	122
1 1/4	84	251	45	84	94	167	9	181	180	120	60	45	97	83	122
1 1/2	97	251	51	84	94	167	9	205	180	137	69	45	97	83	122
2	124	273	65	106	94	167	9	261	180	179	89	45	97	83	122

Inch	L8 [mm]	M	z [mm]	z1 [mm]
1/2	33	6	81	40
3/4	33	6	94	47
1	33	6	107	54
1 1/4	33	8	130	65
1 1/2	33	8	143	72
2	33	8	185	92



PVC-U JIS oil free

3-Way ball valve type 185 PVC-U OF Horizontal/T-port 100-230V With manual emergency override With solvent cement sockets JIS



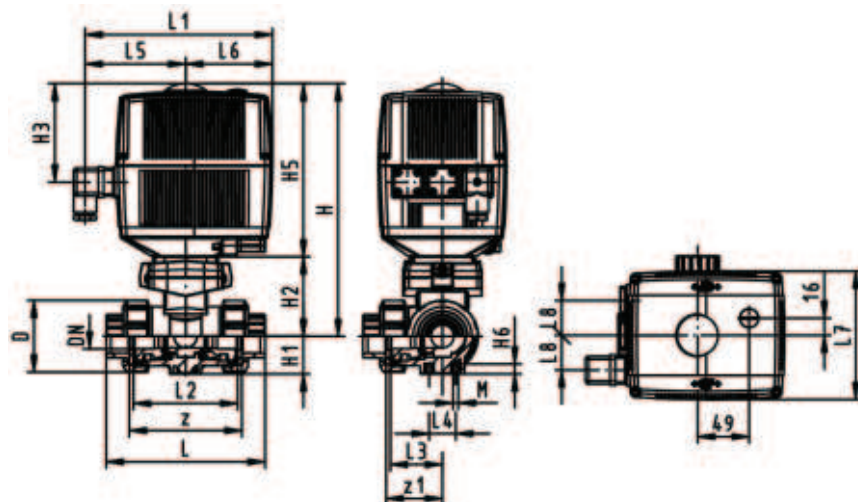
Model:

- Built on with electric actuator EA21
- Voltage 100-230 V, 50-60 Hz
- Control range 90°<
- Basic position A-B-C opened, activated position B-C opened, see flow scheme
- Other positions possible by adjusting the limit switches
- Control time 5 s/90°<
- For easy installation and removal
- Integrated stainless steel mounting inserts
- Oil free

Inch	DN [mm]	PN	kv-value (Δp=1 bar) [l/min]	EPDM Code	FPM Code
½	15	10	200	199 185 903	199 185 913
¾	20	10	470	199 185 904	199 185 914
1	25	10	793	199 185 905	199 185 915
1 ¼	32	10	1290	199 185 906	199 185 916
1 ½	40	10	1910	199 185 907	199 185 917
2	50	10	3100	199 185 908	199 185 918

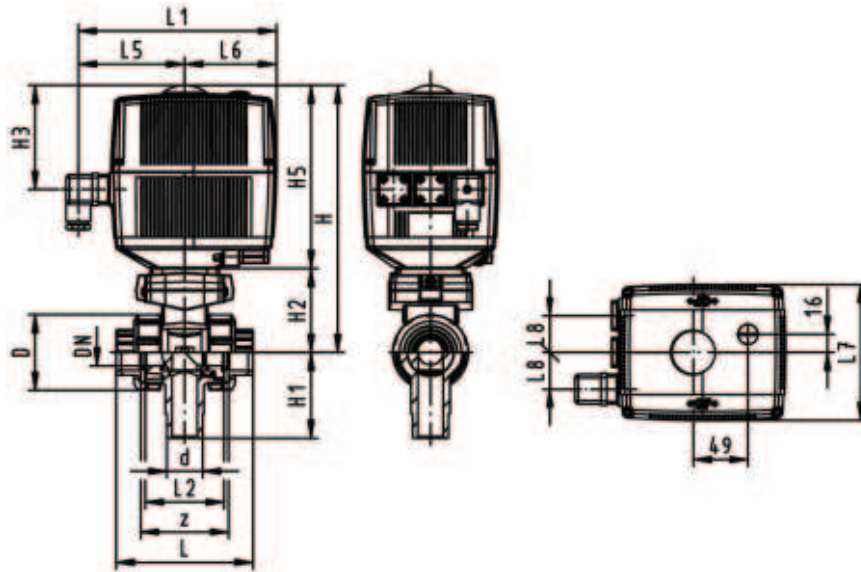
Inch	D [mm]	H [mm]	H1 [mm]	H2 [mm]	H3 [mm]	H5 [mm]	H6 [mm]	L [mm]	L1 [mm]	L2 [mm]	L3 [mm]	L4 [mm]	L5 [mm]	L6 [mm]	L7 [mm]
½	50	231	28	64	94	167	8	112	180	73	36	25	97	83	122
¾	58	240	32	73	94	167	8	131	180	86	43	25	97	83	122
1	68	240	36	73	94	167	8	151	180	99	50	25	97	83	122
1 ¼	84	251	45	84	94	167	9	181	180	120	60	45	97	83	122
1 ½	97	251	51	84	94	167	9	205	180	137	69	45	97	83	122
2	124	273	65	106	94	167	9	261	180	179	89	45	97	83	122

Inch	L8 [mm]	M	z [mm]	z1 [mm]
½	33	6	81	40
¾	33	6	94	47
1	33	6	107	54
1 ¼	33	8	130	65
1 ½	33	8	143	72
2	33	8	185	92



PVC-U JIS oil free

Inch	D [mm]	H [mm]	H1 [mm]	H2 [mm]	H3 [mm]	H5 [mm]	L [mm]	L1 [mm]	L2 [mm]	L5 [mm]	L6 [mm]	L7 [mm]	z [mm]	L8 [mm]

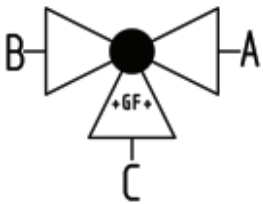


3-Way ball valve type 188 PVC-U OF Vertical diverter ball 100-230V With manual emergency override With solvent cement sockets JIS



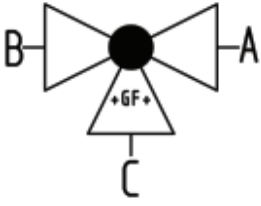
Model:

- Vertical inlet solvent cement spigot metric
- Built on with electric actuator EA21
- Voltage 100-230 V, 50-60 Hz
- Control range 180°<
- Basic position B-C opened, activated position A-C opened, see flow scheme
- Other positions possible by adjusting the limit switches
- Control time 10 s/180°<
- Easy installation and removal using union on third outlet
- Oil free

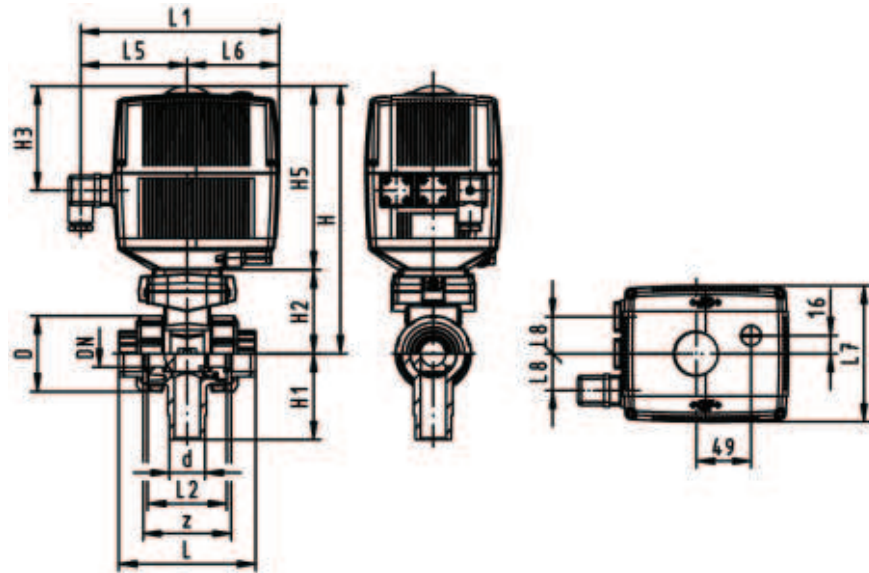


Inch	DN [mm]	PN	kv-value ($\Delta p=1$ bar) [l/min]	EPDM Code	FPM Code
1/2	15	10	77	199 188 393	199 188 403
3/4	20	10	146	199 188 394	199 188 404
1	25	10	260	199 188 395	199 188 405
1 1/4	32	10	437	199 188 396	199 188 406
1 1/2	40	10	667	199 188 397	199 188 407
2	50	10	1293	199 188 398	199 188 408

PVC-U JIS oil free



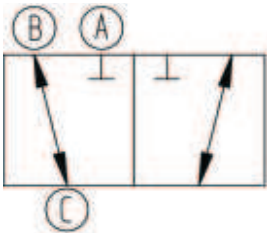
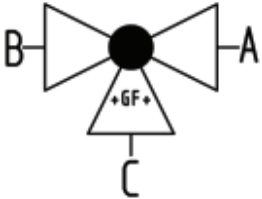
Inch	D [mm]	H [mm]	H1 [mm]	H2 [mm]	H3 [mm]	H5 [mm]	L [mm]	L1 [mm]	L2 [mm]	L5 [mm]	L6 [mm]	L7 [mm]	L8 [mm]	z [mm]
1/2	50	231	62	64	94	167	95	180	56	97	83	122	33	64
3/4	58	240	72	73	94	167	111	180	66	97	83	122	33	74
1	68	240	77	73	94	167	123	180	71	97	83	122	33	79
1 1/4	84	251	87	84	94	167	146	180	85	97	83	122	33	95
1 1/2	97	251	97	84	94	167	157	180	89	97	83	122	33	95
2	124	273	112	106	94	167	183	180	101	97	83	122	33	107



PVC-U JIS oil free

Ball valves pneumatic

3-Way ball valve type 285 PVC-U OF Horizontal/L-port Without manual override With solvent cement sockets JIS



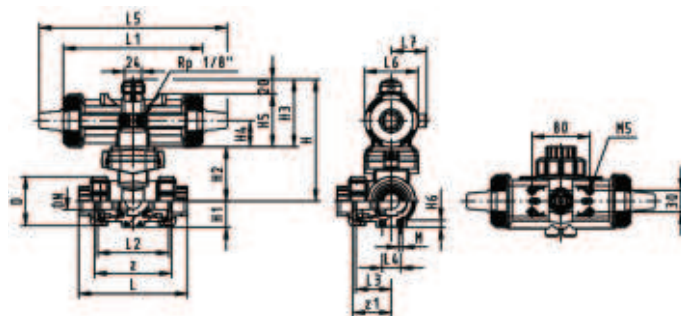
Model:

- Built on with pneumatic actuator PA11 (DN10/15-25), PA21 (DN32-50)
- Actuator fails safe to the closed position FC
- Basic position B-C opened, activated position A-C opened, see flow scheme
- Control time 90°<) 1-3 s
- For easy installation and removal
- Integrated stainless steel mounting inserts
- Oil free

Inch	DN [mm]	PN	kv-value (Δp=1 bar) [l/min]	EPDM Code	FPM Code
1/2	15	10	75	199 285 883	199 285 893
3/4	20	10	150	199 285 884	199 285 894
1	25	10	280	199 285 885	199 285 895
1 1/4	32	10	480	199 285 886	199 285 896
1 1/2	40	10	620	199 285 887	199 285 897
2	50	10	1230	199 285 888	199 285 898

Inch	D [mm]	H [mm]	H1 [mm]	H2 [mm]	H3 [mm]	H4 [mm]	H5 [mm]	H6 [mm]	L [mm]	L1 [mm]	L2 [mm]	L3 [mm]	L4 [mm]	L5 [mm]	L6 [mm]
1/2	50	159	28	62	97	40	77	8	112	194	73	36	25	261	76
3/4	58	168	32	71	97	40	77	8	131	194	86	43	25	261	76
1	68	168	36	71	97	40	77	8	151	194	99	50	25	261	76
1 1/4	84	203	45	84	119	51	99	9	181	224	120	60	45	305	95
1 1/2	97	203	51	84	119	51	99	9	205	224	137	69	45	305	95
2	124	225	65	106	119	51	99	9	261	224	179	89	45	305	95

Inch	L7 [mm]	M	z [mm]	z1 [mm]
1/2	48	6	81	40
3/4	48	6	94	47
1	48	6	107	54
1 1/4	59	8	130	65
1 1/2	59	8	143	72
2	59	8	185	92



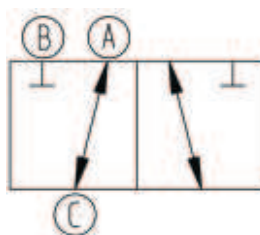
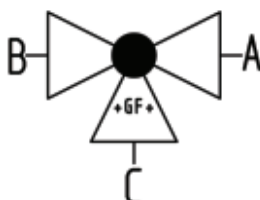
PVC-U JIS oil free



3-Way ball valve type 285 PVC-U OF Horizontal/L-port DA (Double acting) Without manual override With solvent cement sockets JIS

Model:

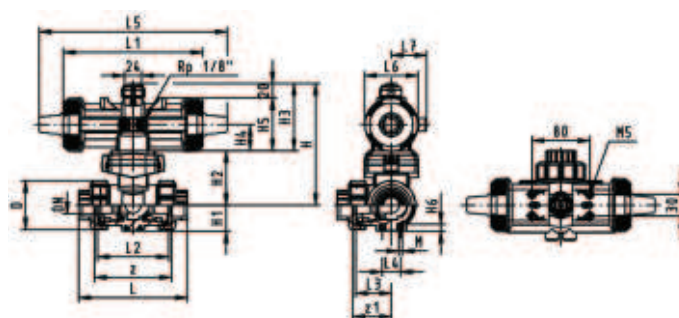
- Built on with pneumatic actuator PA11 (DN10/15-25), PA21 (DN32-50)
- Basic position A-C opened, activated position B-C opened, see flow scheme
- Control time 90°<) 1-3 s
- For easy installation and removal
- Integrated stainless steel mounting inserts
- Oil free



Inch	DN [mm]	PN	kv-value (Δp=1 bar) [l/min]	EPDM Code	FPM Code
1/2	15	10	75	199 285 663	199 285 673
3/4	20	10	150	199 285 664	199 285 674
1	25	10	280	199 285 665	199 285 675
1 1/4	32	10	480	199 285 666	199 285 676
1 1/2	40	10	620	199 285 667	199 285 677
2	50	10	1230	199 285 668	199 285 678

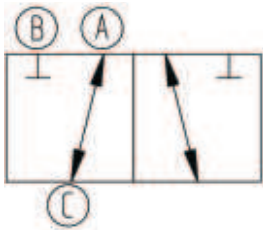
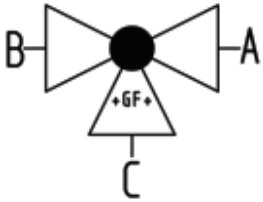
Inch	D [mm]	H [mm]	H1 [mm]	H2 [mm]	H3 [mm]	H4 [mm]	H5 [mm]	H6 [mm]	L [mm]	L1 [mm]	L2 [mm]	L3 [mm]	L4 [mm]	L5 [mm]	L6 [mm]
1/2	50	159	28	62	97	40	77	8	112	194	73	36	25	261	76
3/4	58	168	32	71	97	40	77	8	131	194	86	43	25	261	76
1	68	168	36	71	97	40	77	8	151	194	99	50	25	261	76
1 1/4	84	203	45	84	119	51	99	9	181	224	120	60	45	305	95
1 1/2	97	203	51	84	119	51	99	9	205	224	137	69	45	305	95
2	124	225	65	106	119	51	99	9	261	224	179	89	45	305	95

Inch	L7 [mm]	M	z [mm]	z1 [mm]
1/2	48	6	81	40
3/4	48	6	94	47
1	48	6	107	54
1 1/4	59	8	130	65
1 1/2	59	8	143	72
2	59	8	185	92



PVC-U JIS oil free

3-Way ball valve type 288 PVC-U OF Vertical diverter ball Without manual override With solvent cement sockets JIS

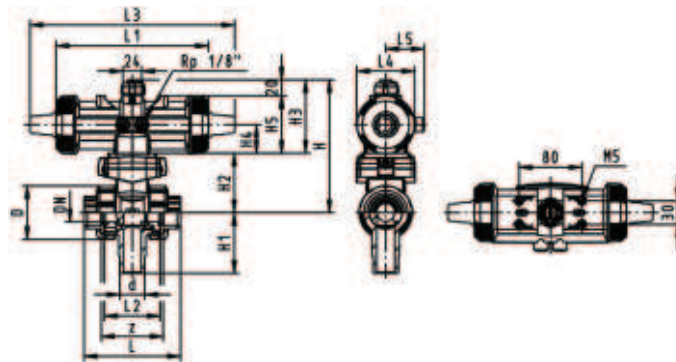


Model:

- Vertical inlet solvent cement spigot metric
- Built on with pneumatic actuator PA11 (DN10/15-25), PA21 (DN32-50)
- Actuator fails safe to the closed position FC
- Basic position A-C opened, activated position B-C opened, see flow scheme
- Control time 90°<) 1-3 s
- Easy installation and removal using union on third outlet
- Oil free

Inch	DN [mm]	PN	kv-value (Δp=1 bar) [l/min]	EPDM Code	FPM Code
1/2	15	10	77	199 288 143	199 288 153
3/4	20	10	146	199 288 144	199 288 154
1	25	10	260	199 288 145	199 288 155
1 1/4	32	10	437	199 288 146	199 288 156
1 1/2	40	10	667	199 288 147	199 288 157
2	50	10	1293	199 288 148	199 288 158

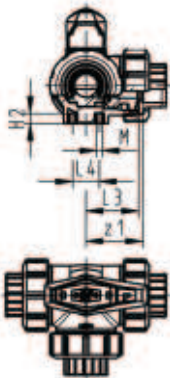
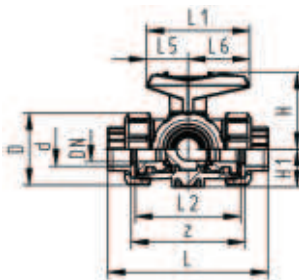
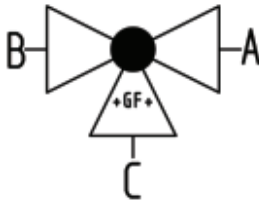
Inch	D [mm]	H [mm]	H1 [mm]	H2 [mm]	H3 [mm]	H4 [mm]	H5 [mm]	L [mm]	L1 [mm]	L2 [mm]	L3 [mm]	L4 [mm]	L5 [mm]	z [mm]
1/2	50	159	62	62	97	40	77	95	194	56	261	76	48	64
3/4	58	168	72	71	97	40	77	111	194	66	261	76	48	74
1	68	168	77	71	97	40	77	123	194	71	261	76	48	79
1 1/4	84	203	87	84	119	51	99	146	224	85	305	95	59	95
1 1/2	97	203	97	84	119	51	99	157	224	89	305	95	59	95
2	124	225	112	106	119	51	99	183	224	101	305	95	59	107



PVC-C metric

Ball valves

3-Way ball valve type 543 PVC-C Horizontal/L-port With solvent cement sockets metric



Model:

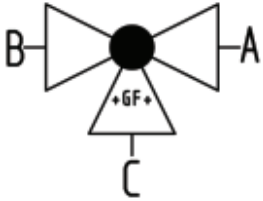
- For easy installation and removal (valve end and union nut are compatible with type 546)
- Ball seals PTFE
- Pneumatic or electric actuator available separately
- Angle of operation 360° without turn limiter
- Turn limiter 90° enclosed, in different positions usable as a clip-on ring
- Integrated stainless steel mounting inserts
- Delivery status A-C opened, see flow scheme

d [mm]	DN [mm]	PN	kv-value (Δp=1 bar) [l/min]	EPDM Code	FPM Code
16	10	10	50	163 543 001	163 543 011
20	15	10	75	163 543 002	163 543 012
25	20	10	150	163 543 003	163 543 013
32	25	10	280	163 543 004	163 543 014
40	32	10	480	163 543 005	163 543 015
50	40	10	620	163 543 006	163 543 016
63	50	10	1230	163 543 007	163 543 017

d [mm]	D [mm]	L [mm]	L1 [mm]	L2 [mm]	L3 [mm]	L4 [mm]	L5 [mm]	L6 [mm]	H [mm]	H1 [mm]	H2 [mm]	M	z [mm]	z1 [mm]	closest inch
16	50	109	77	73	36	25	32	45	57	28	8	6	81	40	3/8
20	50	112	77	73	36	25	32	45	57	28	8	6	81	40	1/2
25	58	131	97	86	43	25	39	58	67	32	8	6	94	47	3/4
32	68	151	97	99	50	25	39	58	73	36	8	6	107	54	1
40	84	181	128	120	60	45	54	74	90	45	9	8	130	65	1 1/4
50	97	205	128	137	69	45	54	74	97	51	9	8	143	72	1 1/2
63	124	261	152	179	89	45	66	87	116	65	9	8	185	92	2

PVC-C metric

3-Way ball valve type 543 PVC-C Horizontal/L-port With threaded sockets Rp

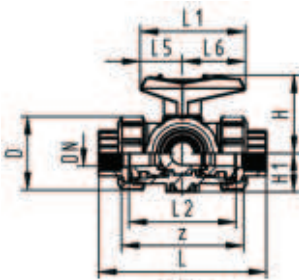


Model:

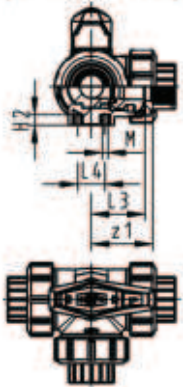
- For easy installation and removal (valve end and union nut are compatible with type 546)
- Ball seals PTFE
- Pneumatic or electric actuator available separately
- Angle of operation 360° without turn limiter
- Turn limiter 90° enclosed, in different positions usable as a clip-on ring
- Integrated stainless steel mounting inserts
- Delivery status A-C opened, see flow scheme



Rp [inch]	DN [mm]	PN	kv-value ($\Delta p=1$ bar) [l/min]	EPDM Code	FPM Code
3/8	10	10	50	163 543 041	163 543 051
1/2	15	10	75	163 543 042	163 543 052
3/4	20	10	150	163 543 043	163 543 053
1	25	10	280	163 543 044	163 543 054
1 1/4	32	10	480	163 543 045	163 543 055
1 1/2	40	10	620	163 543 046	163 543 056
2	50	10	1230	163 543 047	163 543 057



Rp [inch]	D [mm]	L [mm]	L1 [mm]	L2 [mm]	L3 [mm]	L4 [mm]	L5 [mm]	L6 [mm]	H [mm]	H1 [mm]	H2 [mm]	z [mm]	z1 [mm]	M
3/8	50	113	77	73	36	25	32	45	57	28	8	87	43	6
1/2	50	116	77	73	36	25	32	45	57	28	8	85	42	6
3/4	58	135	97	86	43	25	39	58	67	32	8	100	50	6
1	68	155	97	99	50	25	39	58	73	36	8	113	57	6
1 1/4	84	179	128	120	60	45	54	74	90	45	9	134	67	8
1 1/2	97	201	128	137	69	45	54	74	97	51	9	155	78	8
2	124	255	152	179	89	45	66	87	116	65	9	199	99	8



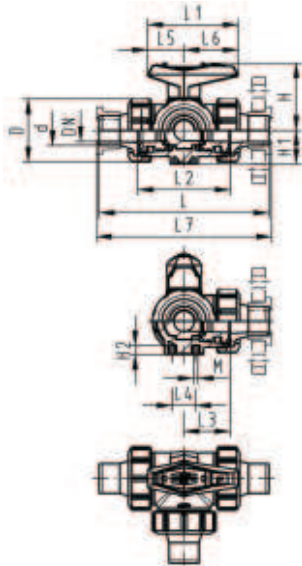
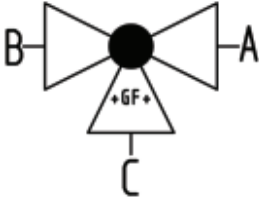
PVC-C metric



3-Way ball valve type 543 PVC-C Horizontal/L-port With solvent cement spigots metric

Model:

- For easy installation and removal (valve end and union nut are compatible with type 546)
- Ball seals PTFE
- Pneumatic or electric actuator available separately
- Angle of operation 360° without turn limiter
- Turn limiter 90° enclosed, in different positions usable as a clip-on ring
- Integrated stainless steel mounting inserts
- Delivery status A-C opened, see flow scheme

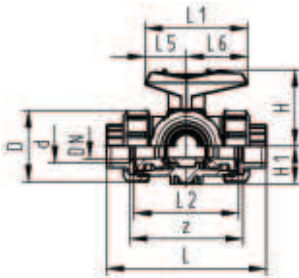
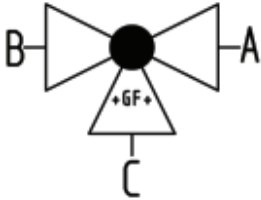


d [mm]	DN [mm]	PN	kv-value (Δp=1 bar) [l/min]	EPDM Code	FPM Code
16	10	10	50	163 543 021	163 543 031
20	15	10	75	163 543 022	163 543 032
25	20	10	150	163 543 023	163 543 033
32	25	10	280	163 543 024	163 543 034
40	32	10	480	163 543 025	163 543 035
50	40	10	620	163 543 026	163 543 036
63	50	10	1230	163 543 027	163 543 037

d [mm]	D [mm]	L [mm]	L1 [mm]	L2 [mm]	L3 [mm]	L4 [mm]	L5 [mm]	L6 [mm]	L7 [mm]	H [mm]	H1 [mm]	H2 [mm]	M	closest inch
16	50	131	77	73	36	25	32	45	137	57	28	8	6	3/8
20	50	141	77	73	36	25	32	45	147	57	28	8	6	1/2
25	58	165	97	86	43	25	39	58	171	67	32	8	6	3/4
32	68	182	97	99	50	25	39	58	188	73	36	8	6	1
40	84	209	128	120	60	45	54	74	215	90	45	9	8	1 1/4
50	97	242	128	137	69	45	54	74	248	97	51	9	8	1 1/2
63	124	302	152	179	89	45	66	87	308	116	65	9	8	2

PVC-C metric

3-Way ball valve type 543 PVC-C Horizontal/T-port With solvent cement sockets metric



Model:

- For easy installation and removal (valve end and union nut are compatible with type 546)
- Ball seals PTFE
- Pneumatic or electric actuator available separately
- Angle of operation 360° without turn limiter
- Turn limiter 90° enclosed, in different positions usable as a clip-on ring
- Integrated stainless steel mounting inserts
- Delivery status A-B-C opened, see flow scheme

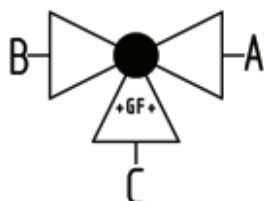
d [mm]	DN [mm]	PN	kv-value ($\Delta p=1$ bar) [l/min]	EPDM Code	FPM Code
16	10	10	140	163 543 201	163 543 211
20	15	10	200	163 543 202	163 543 212
25	20	10	470	163 543 203	163 543 213
32	25	10	793	163 543 204	163 543 214
40	32	10	1290	163 543 205	163 543 215
50	40	10	1910	163 543 206	163 543 216
63	50	10	3100	163 543 207	163 543 217

d [mm]	D [mm]	L [mm]	L1 [mm]	L2 [mm]	L3 [mm]	L4 [mm]	L5 [mm]	L6 [mm]	H [mm]	H1 [mm]	H2 [mm]	M	z [mm]	z1 [mm]	closest inch
16	50	109	77	73	36	25	32	45	57	28	8	6	81	40	3/8
20	50	112	77	73	36	25	32	45	57	28	8	6	81	40	1/2
25	58	131	97	86	43	25	39	58	67	32	8	6	94	47	3/4
32	68	151	97	99	50	25	39	58	73	36	8	6	107	54	1
40	84	181	128	120	60	45	54	74	90	45	9	8	130	65	1 1/4
50	97	205	128	137	69	45	54	74	97	51	9	8	143	72	1 1/2
63	124	261	152	179	89	45	66	87	116	65	9	8	185	92	2

PVC-C metric



3-Way ball valve type 543 PVC-C Horizontal/T-port With threaded sockets Rp

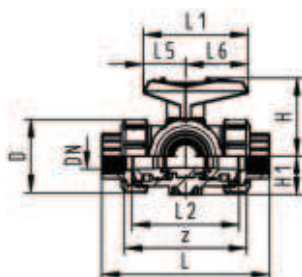


Model:

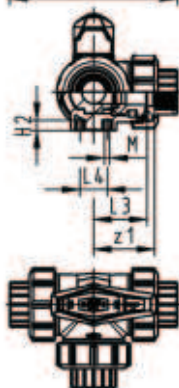
- For easy installation and removal (valve end and union nut are compatible with type 546)
- Ball seals PTFE
- Pneumatic or electric actuator available separately
- Angle of operation 360° without turn limiter
- Turn limiter 90° enclosed, in different positions usable as a clip-on ring
- Integrated stainless steel mounting inserts
- Delivery status A-B-C opened, see flow scheme



Rp [inch]	DN [mm]	PN	kv-value ($\Delta p=1$ bar) [l/min]	EPDM Code	FPM Code
3/8	10	10	140	163 543 241	163 543 251
1/2	15	10	200	163 543 242	163 543 252
3/4	20	10	470	163 543 243	163 543 253
1	25	10	793	163 543 244	163 543 254
1 1/4	32	10	1290	163 543 245	163 543 255
1 1/2	40	10	1910	163 543 246	163 543 256
2	50	10	3100	163 543 247	163 543 257

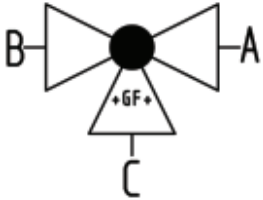


Rp [inch]	D [mm]	L [mm]	L1 [mm]	L2 [mm]	L3 [mm]	L4 [mm]	L5 [mm]	L6 [mm]	H [mm]	H1 [mm]	H2 [mm]	M	z [mm]	z1 [mm]
3/8	50	113	77	73	36	25	32	45	57	28	8	6	87	43
1/2	50	116	77	73	36	25	32	45	57	28	8	6	85	42
3/4	58	135	97	86	43	25	39	58	67	32	8	6	100	50
1	68	155	97	99	50	25	39	58	73	36	8	6	113	57
1 1/4	84	179	128	120	60	45	54	74	90	45	9	8	134	67
1 1/2	97	201	128	137	69	45	54	74	97	51	9	8	155	78
2	124	255	152	179	89	45	66	87	116	65	9	8	199	99



PVC-C metric

3-Way ball valve type 543 PVC-C Horizontal/T-port With solvent cement spigots metric

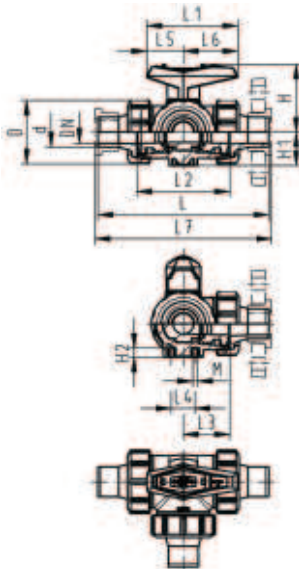


Model:

- For easy installation and removal (valve end and union nut are compatible with type 546)
- Ball seals PTFE
- Pneumatic or electric actuator available separately
- Angle of operation 360° without turn limiter
- Turn limiter 90° enclosed, in different positions usable as a clip-on ring
- Integrated stainless steel mounting inserts
- Delivery status A-B-C opened, see flow scheme



d [mm]	DN [mm]	PN	kv-value ($\Delta p=1$ bar) [l/min]	EPDM Code	FPM Code
16	10	10	140	163 543 221	163 543 231
20	15	10	200	163 543 222	163 543 232
25	20	10	470	163 543 223	163 543 233
32	25	10	793	163 543 224	163 543 234
40	32	10	1290	163 543 225	163 543 235
50	40	10	1910	163 543 226	163 543 236
63	50	10	3100	163 543 227	163 543 237

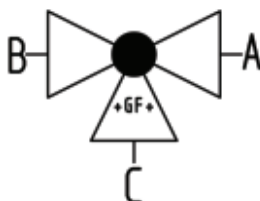


d [mm]	D [mm]	L [mm]	L1 [mm]	L2 [mm]	L3 [mm]	L4 [mm]	L5 [mm]	L6 [mm]	L7 [mm]	H [mm]	H1 [mm]	H2 [mm]	M	closest inch
16	50	131	77	73	36	25	32	45	137	57	28	8	6	3/8
20	50	141	77	73	36	25	32	45	147	57	28	8	6	1/2
25	58	165	97	86	43	25	39	58	171	67	32	8	6	3/4
32	68	182	97	99	50	25	39	58	188	73	36	8	6	1
40	84	209	128	120	60	45	54	74	215	90	45	9	8	1 1/4
50	97	242	128	137	69	45	54	74	248	97	51	9	8	1 1/2
63	124	302	152	179	89	45	66	87	308	116	65	9	8	2

PVC-C metric

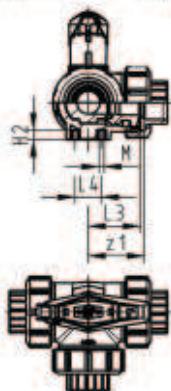
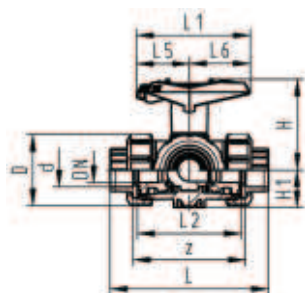


3-Way ball valve type 543 PVC-C Horizontal/L-port With lockable handle With solvent cement sockets metric



Model:

- For easy installation and removal (valve end and union nut are compatible with type 546)
- Ball seals PTFE
- Pneumatic or electric actuator available separately
- Angle of operation 360° without turn limiter
- Turn limiter 90° enclosed, in different positions usable as a clip-on ring
- Integrated stainless steel mounting inserts
- Multifunctional lever red with ratched setting 45°, lockable
- Delivery status A-C opened, see flow scheme



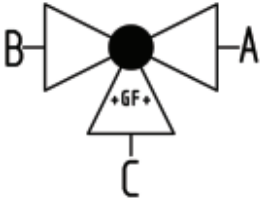
d [mm]	DN [mm]	PN	kv-value (Δp=1 bar) [l/min]	EPDM Code	FPM Code
16	10	10	50	163 543 381	163 543 391
20	15	10	75	163 543 382	163 543 392
25	20	10	150	163 543 383	163 543 393
32	25	10	280	163 543 384	163 543 394
40	32	10	480	163 543 385	163 543 395
50	40	10	620	163 543 386	163 543 396
63	50	10	1230	163 543 387	163 543 397

d [mm]	D [mm]	L [mm]	L1 [mm]	L2 [mm]	L3 [mm]	L4 [mm]	L5 [mm]	L6 [mm]	H [mm]	H1 [mm]	H2 [mm]	M [mm]	z [mm]	z1 [mm]	closest inch
16	50	109	87	73	36	25	42	45	79	28	8	6	81	40	3/8
20	50	112	87	73	36	25	42	45	79	28	8	6	81	40	1/2
25	58	131	108	86	43	25	50	58	88	32	8	6	94	47	3/4
32	68	151	108	99	50	25	50	58	94	36	8	6	107	54	1
40	84	181	141	120	60	45	66	75	113	45	9	8	130	65	1 1/4
50	97	205	141	137	69	45	66	75	119	51	9	8	143	72	1 1/2
63	124	261	165	179	89	45	78	87	141	65	9	8	185	92	2

PVC-C metric

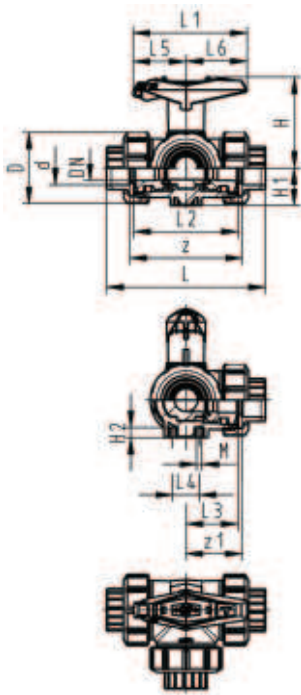


3-Way ball valve type 543 PVC-C Horizontal/T-port With lockable handle With solvent cement sockets metric



Model:

- For easy installation and removal (valve end and union nut are compatible with type 546)
- Ball seals PTFE
- Pneumatic or electric actuator available separately
- Angle of operation 360° without turn limiter
- Turn limiter 90° enclosed, in different positions usable as a clip-on ring
- Integrated stainless steel mounting inserts
- Multifunctional lever red with ratched setting 45°, lockable
- Delivery status A-B-C opened, see flow scheme



d [mm]	DN [mm]	PN	kv-value (Δp=1 bar) [l/min]	EPDM Code	FPM Code
16	10	10	140	163 543 401	163 543 411
20	15	10	200	163 543 402	163 543 412
25	20	10	470	163 543 403	163 543 413
32	25	10	793	163 543 404	163 543 414
40	32	10	1290	163 543 405	163 543 415
50	40	10	1910	163 543 406	163 543 416
63	50	10	3100	163 543 407	163 543 417

d [mm]	D [mm]	L [mm]	L1 [mm]	L2 [mm]	L3 [mm]	L4 [mm]	L5 [mm]	L6 [mm]	H [mm]	H1 [mm]	H2 [mm]	M [mm]	z [mm]	z1 [mm]	closest inch
16	50	109	87	73	36	25	42	45	79	28	8	6	81	40	3/8
20	50	112	87	73	36	25	42	45	79	28	8	6	81	40	1/2
25	58	131	108	86	43	25	50	58	88	32	8	6	94	47	3/4
32	68	151	108	99	50	25	50	58	94	36	8	6	107	54	1
40	84	181	141	120	60	45	66	75	113	45	9	8	130	65	1 1/4
50	97	205	141	137	69	45	66	75	119	51	9	8	143	72	1 1/2
63	124	261	165	179	89	45	78	87	141	65	9	8	185	92	2

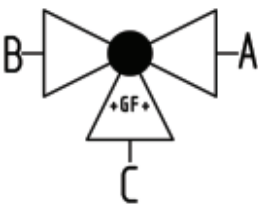
PVC-C metric

Ball valves electric

3-Way ball valve type 185 PVC-C Horizontal/L-port 100-230V

With manual emergency override

With solvent cement sockets metric



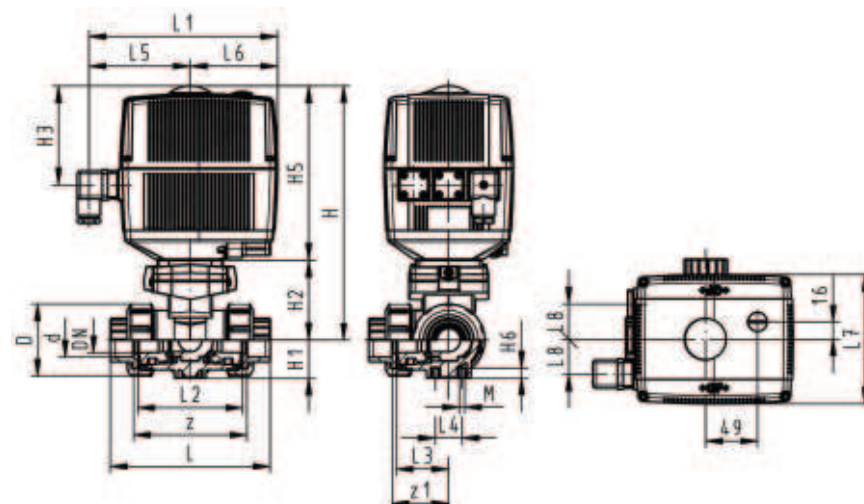
Model:

- Built on with electric actuator EA21
- Voltage 100-230 V, 50-60 Hz
- Control range 90°<
- Basic position A-C opened, activated position B-C opened, see flow scheme
- Other positions possible by adjusting the limit switches
- Control time 5 s/90°<
- For easy installation and removal
- Integrated stainless steel mounting inserts

d [mm]	DN [mm]	PN	kv-value (Δp=1 bar) [l/min]	EPDM Code	FPM Code
16	10	10	50	199 185 102	199 185 112
20	15	10	75	199 185 103	199 185 113
25	20	10	150	199 185 104	199 185 114
32	25	10	280	199 185 105	199 185 115
40	32	10	480	199 185 106	199 185 116
50	40	10	620	199 185 107	199 185 117
63	50	10	1230	199 185 108	199 185 118

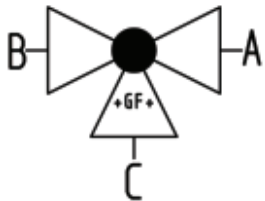
d [mm]	D [mm]	H [mm]	H1 [mm]	H2 [mm]	H3 [mm]	H5 [mm]	H6 [mm]	L [mm]	L1 [mm]	L2 [mm]	L3 [mm]	L4 [mm]	L5 [mm]	L6 [mm]	L7 [mm]
16	50	231	28	64	94	167	8	109	180	73	36	25	97	83	122
20	50	231	28	64	94	167	8	112	180	73	36	25	97	83	122
25	58	240	32	73	94	167	8	131	180	86	43	25	97	83	122
32	68	240	36	73	94	167	8	151	180	99	50	25	97	83	122
40	84	251	45	84	94	167	9	181	180	120	60	45	97	83	122
50	97	251	51	84	94	167	9	205	180	137	69	45	97	83	122
63	124	273	65	106	94	167	9	261	180	179	89	45	97	83	122

d [mm]	L8 [mm]	M	z [mm]	z1 [mm]	closest inch
16	33	6	81	40	3/8
20	33	6	81	40	1/2
25	33	6	94	47	3/4
32	33	6	107	54	1
40	33	8	130	65	1 1/4
50	33	8	143	72	1 1/2
63	33	8	185	92	2



PVC-C metric

3-Way ball valve type 185 PVC-C Horizontal/L-port 100-230V With manual emergency override With solvent cement spigots metric



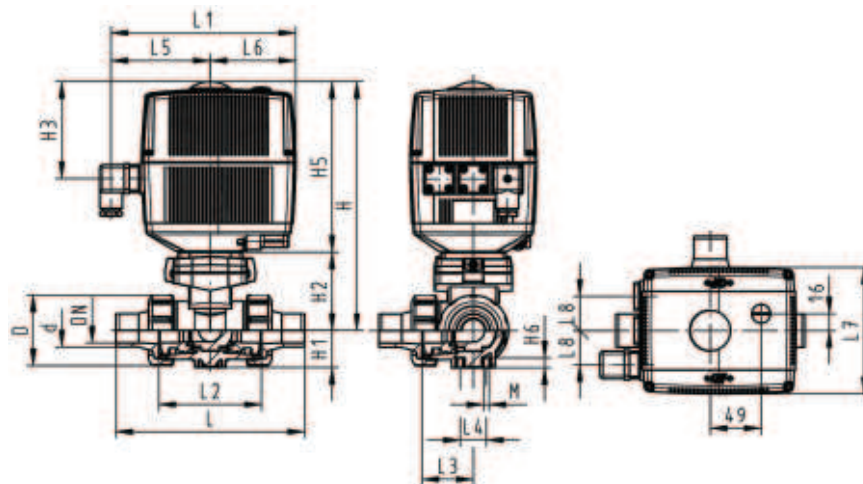
Model:

- Built on with electric actuator EA21
- Voltage 100-230 V, 50-60 Hz
- Control range 90°<
- Basic position A-C opened, activated position B-C opened, see flow scheme
- Other positions possible by adjusting the limit switches
- Control time 5 s/90°<
- For easy installation and removal
- Integrated stainless steel mounting inserts

d [mm]	DN [mm]	PN	kv-value (Δp=1 bar) [l/min]	EPDM Code	FPM Code
16	10	10	50	199 185 082	199 185 092
20	15	10	75	199 185 083	199 185 093
25	20	10	150	199 185 084	199 185 094
32	25	10	280	199 185 085	199 185 095
40	32	10	480	199 185 086	199 185 096
50	40	10	620	199 185 087	199 185 097
63	50	10	1230	199 185 088	199 185 098

d [mm]	D [mm]	H [mm]	H1 [mm]	H2 [mm]	H3 [mm]	H5 [mm]	H6 [mm]	L [mm]	L1 [mm]	L2 [mm]	L3 [mm]	L4 [mm]	L5 [mm]	L6 [mm]	L7 [mm]
16	50	231	28	64	94	167	8	131	180	73	36	25	97	83	122
20	50	231	28	64	94	167	8	141	180	73	36	25	97	83	122
25	58	240	32	73	94	167	8	165	180	86	43	25	97	83	122
32	68	240	36	73	94	167	8	182	180	99	50	25	97	83	122
40	84	251	45	84	94	167	9	209	180	120	60	45	97	83	122
50	97	251	51	84	94	167	9	242	180	137	69	45	97	83	122
63	124	273	65	106	94	167	9	302	180	179	89	45	97	83	122

d [mm]	L8 [mm]	M	closest inch
16	33	6	3/8
20	33	6	1/2
25	33	6	3/4
32	33	6	1
40	33	8	1 1/4
50	33	8	1 1/2
63	33	8	2



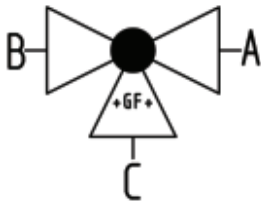
PVC-C metric

3-Way ball valve type 185 PVC-C Horizontal/L-port 24V With manual emergency override With solvent cement sockets metric



Model:

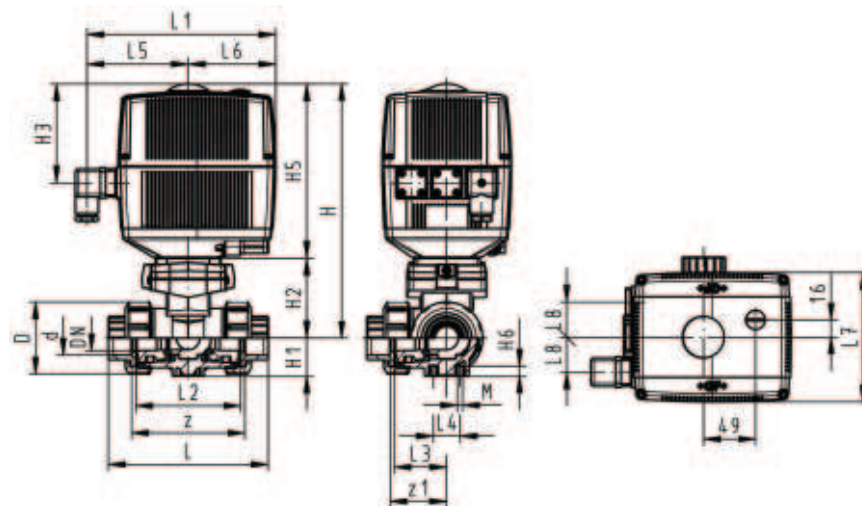
- Built on with electric actuator EA21
- Voltage 24 V AC/DC
- Control range 90°<
- Basic position A-C opened, activated position B-C opened, see flow scheme
- Other positions possible by adjusting the limit switches
- Control time 5 s/90°<
- For easy installation and removal
- Integrated stainless steel mounting inserts



d [mm]	DN [mm]	PN	kv-value (Δp=1 bar) [l/min]	EPDM Code	FPM Code
16	10	10	50	199 185 262	199 185 272
20	15	10	75	199 185 263	199 185 273
25	20	10	150	199 185 264	199 185 274
32	25	10	280	199 185 265	199 185 275
40	32	10	480	199 185 266	199 185 276
50	40	10	620	199 185 267	199 185 277
63	50	10	1230	199 185 268	199 185 278

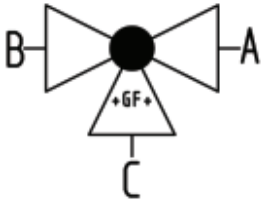
d [mm]	D [mm]	H [mm]	H1 [mm]	H2 [mm]	H3 [mm]	H5 [mm]	H6 [mm]	L [mm]	L1 [mm]	L2 [mm]	L3 [mm]	L4 [mm]	L5 [mm]	L6 [mm]	L7 [mm]
16	50	231	28	64	94	167	8	109	180	73	36	25	97	83	122
20	50	231	28	64	94	167	8	112	180	73	36	25	97	83	122
25	58	240	32	73	94	167	8	131	180	86	43	25	97	83	122
32	68	240	36	73	94	167	8	151	180	99	50	25	97	83	122
40	84	251	45	84	94	167	9	181	180	120	60	45	97	83	122
50	97	251	51	84	94	167	9	205	180	137	69	45	97	83	122
63	124	273	65	106	94	167	9	261	180	179	89	45	97	83	122

d [mm]	L8 [mm]	M	z [mm]	z1 [mm]	closest inch
16	33	6	81	40	3/8
20	33	6	81	40	1/2
25	33	6	94	47	3/4
32	33	6	107	54	1
40	33	8	130	65	1 1/4
50	33	8	143	72	1 1/2
63	33	8	185	92	2



PVC-C metric

3-Way ball valve type 185 PVC-C Horizontal/L-port 24V With manual emergency override With solvent cement spigots metric



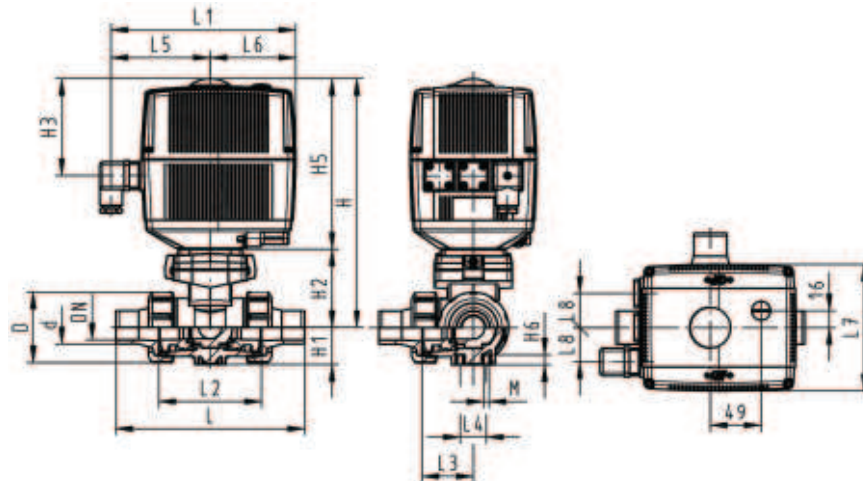
Model:

- Built on with electric actuator EA21
- Voltage 24 V AC/DC
- Control range 90°<
- Basic position A-C opened, activated position B-C opened, see flow scheme
- Other positions possible by adjusting the limit switches
- Control time 5 s/90°<
- For easy installation and removal
- Integrated stainless steel mounting inserts

d [mm]	DN [mm]	PN	kv-value (Δp=1 bar) [l/min]	EPDM Code	FPM Code
16	10	10	50	199 185 282	199 185 292
20	15	10	75	199 185 283	199 185 293
25	20	10	150	199 185 284	199 185 294
32	25	10	280	199 185 285	199 185 295
40	32	10	480	199 185 286	199 185 296
50	40	10	620	199 185 287	199 185 297
63	50	10	1230	199 185 288	199 185 298

d [mm]	D [mm]	H [mm]	H1 [mm]	H2 [mm]	H3 [mm]	H5 [mm]	H6 [mm]	L [mm]	L1 [mm]	L2 [mm]	L3 [mm]	L4 [mm]	L5 [mm]	L6 [mm]	L7 [mm]
16	50	231	28	64	94	167	8	131	180	73	36	25	97	83	122
20	50	231	28	64	94	167	8	141	180	73	36	25	97	83	122
25	58	240	32	73	94	167	8	165	180	86	43	25	97	83	122
32	68	240	36	73	94	167	8	182	180	99	50	25	97	83	122
40	84	251	45	84	94	167	9	209	180	120	60	45	97	83	122
50	97	251	51	84	94	167	9	242	180	137	69	45	97	83	122
63	124	273	65	106	94	167	9	302	180	179	89	45	97	83	122

d [mm]	L8 [mm]	M	closest inch
16	33	6	3/8
20	33	6	1/2
25	33	6	3/4
32	33	6	1
40	33	8	1 1/4
50	33	8	1 1/2
63	33	8	2



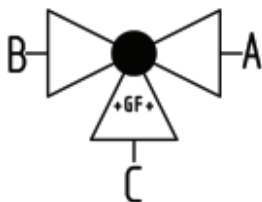
PVC-C metric

3-Way ball valve type 185 PVC-C Horizontal/T-port 100-230V With manual emergency override With solvent cement sockets metric



Model:

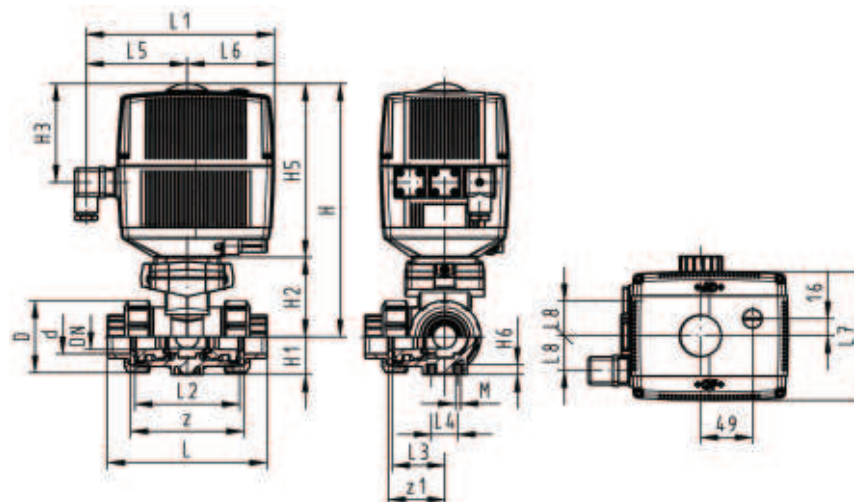
- Built on with electric actuator EA21
- Voltage 100-230 V, 50-60 Hz
- Control range 90°<
- Basic position A-B-C opened, activated position B-C opened, see flow scheme
- Other positions possible by adjusting the limit switches
- Control time 5 s/90°<
- For easy installation and removal
- Integrated stainless steel mounting inserts



d [mm]	DN [mm]	PN	kv-value (Δp=1 bar) [l/min]	EPDM Code	FPM Code
16	10	10	140	199 185 142	199 185 152
20	15	10	200	199 185 143	199 185 153
25	20	10	470	199 185 144	199 185 154
32	25	10	793	199 185 145	199 185 155
40	32	10	1290	199 185 146	199 185 156
50	40	10	1910	199 185 147	199 185 157
63	50	10	3100	199 185 148	199 185 158

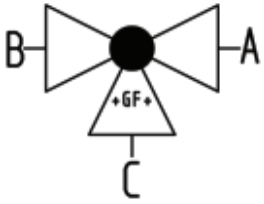
d [mm]	D [mm]	H [mm]	H1 [mm]	H2 [mm]	H3 [mm]	H5 [mm]	H6 [mm]	L [mm]	L1 [mm]	L2 [mm]	L3 [mm]	L4 [mm]	L5 [mm]	L6 [mm]	L7 [mm]
16	50	231	28	64	94	167	8	109	180	73	36	25	97	83	122
20	50	231	28	64	94	167	8	112	180	73	36	25	97	83	122
25	58	240	32	73	94	167	8	131	180	86	43	25	97	83	122
32	68	240	36	73	94	167	8	151	180	99	50	25	97	83	122
40	84	251	45	84	94	167	9	181	180	120	60	45	97	83	122
50	97	251	51	84	94	167	9	205	180	137	69	45	97	83	122
63	124	273	65	106	94	167	9	261	180	179	89	45	97	83	122

d [mm]	L8 [mm]	M [mm]	z [mm]	z1 [mm]	closest inch
16	33	6	81	40	3/8
20	33	6	81	40	1/2
25	33	6	94	47	3/4
32	33	6	107	54	1
40	33	8	130	65	1 1/4
50	33	8	143	72	1 1/2
63	33	8	185	92	2



PVC-C metric

3-Way ball valve type 185 PVC-C Horizontal/T-port 100-230V With manual emergency override With solvent cement spigots metric



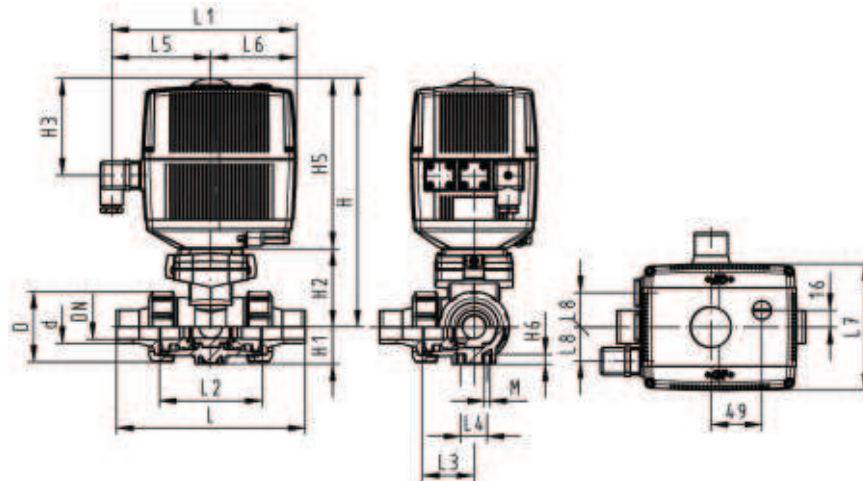
Model:

- Built on with electric actuator EA21
- Voltage 100-230 V, 50-60 Hz
- Control range 90°<
- Basic position A-B-C opened, activated position B-C opened, see flow scheme
- Other positions possible by adjusting the limit switches
- Control time 5 s/90°<
- For easy installation and removal
- Integrated stainless steel mounting inserts

d [mm]	DN [mm]	PN	kv-value (Δp=1 bar) [l/min]	EPDM Code	FPM Code
16	10	10	140	199 185 122	199 185 132
20	15	10	200	199 185 123	199 185 133
25	20	10	470	199 185 124	199 185 134
32	25	10	793	199 185 125	199 185 135
40	32	10	1290	199 185 126	199 185 136
50	40	10	1910	199 185 127	199 185 137
63	50	10	3100	199 185 128	199 185 138

d [mm]	D [mm]	H [mm]	H1 [mm]	H2 [mm]	H3 [mm]	H5 [mm]	H6 [mm]	L [mm]	L1 [mm]	L2 [mm]	L3 [mm]	L4 [mm]	L5 [mm]	L6 [mm]	L7 [mm]
16	50	231	28	64	94	167	8	131	180	73	36	25	97	83	122
20	50	231	28	64	94	167	8	141	180	73	36	25	97	83	122
25	58	240	32	73	94	167	8	165	180	86	43	25	97	83	122
32	68	240	36	73	94	167	8	182	180	99	50	25	97	83	122
40	84	251	45	84	94	167	9	209	180	120	60	45	97	83	122
50	97	251	51	84	94	167	9	242	180	137	69	45	97	83	122
63	124	273	65	106	94	167	9	302	180	179	89	45	97	83	122

d [mm]	L8 [mm]	M	closest inch
16	33	6	3/8
20	33	6	1/2
25	33	6	3/4
32	33	6	1
40	33	8	1 1/4
50	33	8	1 1/2
63	33	8	2



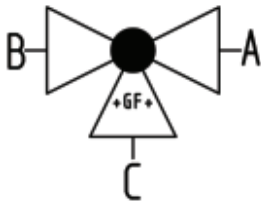
PVC-C metric

3-Way ball valve type 185 PVC-C Horizontal/T-port 24V With manual emergency override With solvent cement sockets metric



Model:

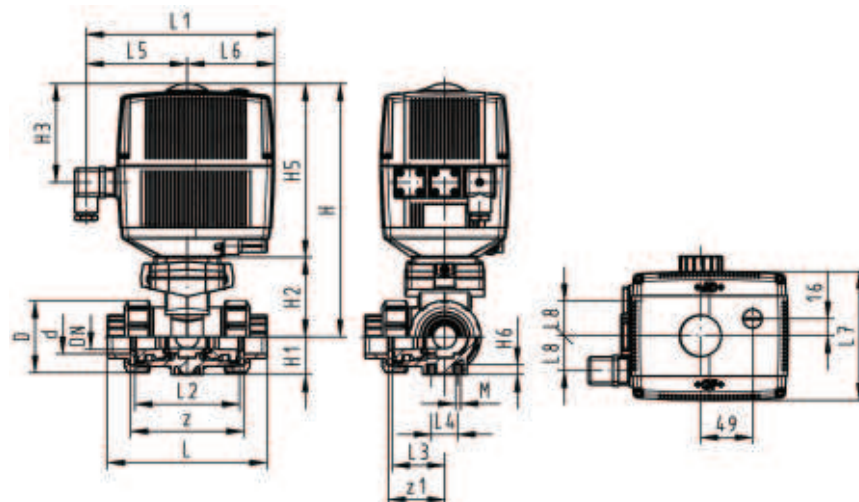
- Built on with electric actuator EA21
- Voltage 24 V AC/DC
- Control range 90°<
- Basic position A-B opened, activated position B-C opened, see flow scheme
- Other positions possible by adjusting the limit switches
- Control time 5 s/90°<
- For easy installation and removal
- Integrated stainless steel mounting inserts



d [mm]	DN [mm]	PN	kv-value (Δp=1 bar) [l/min]	EPDM Code	FPM Code
16	10	10	140	199 185 322	199 185 332
20	15	10	200	199 185 323	199 185 333
25	20	10	470	199 185 324	199 185 334
32	25	10	793	199 185 325	199 185 335
40	32	10	1290	199 185 326	199 185 336
50	40	10	1910	199 185 327	199 185 337
63	50	10	3100	199 185 328	199 185 338

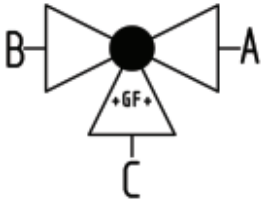
d [mm]	D [mm]	H [mm]	H1 [mm]	H2 [mm]	H3 [mm]	H5 [mm]	H6 [mm]	L [mm]	L1 [mm]	L2 [mm]	L3 [mm]	L4 [mm]	L5 [mm]	L6 [mm]	L7 [mm]
16	50	231	28	64	94	167	8	109	180	73	36	25	97	83	122
20	50	231	28	64	94	167	8	112	180	73	36	25	97	83	122
25	58	240	32	73	94	167	8	131	180	86	43	25	97	83	122
32	68	240	36	73	94	167	8	151	180	99	50	25	97	83	122
40	84	251	45	84	94	167	9	181	180	120	60	45	97	83	122
50	97	251	51	84	94	167	9	205	180	137	69	45	97	83	122
63	124	273	65	106	94	167	9	261	180	179	89	45	97	83	122

d [mm]	L8 [mm]	M [mm]	z [mm]	z1 [mm]	closest inch
16	33	6	81	40	3/8
20	33	6	81	40	1/2
25	33	6	94	47	3/4
32	33	6	107	54	1
40	33	8	130	65	1 1/4
50	33	8	143	72	1 1/2
63	33	8	185	92	2



PVC-C metric

3-Way ball valve type 185 PVC-C Horizontal/T-port 24V With manual emergency override With solvent cement spigots metric



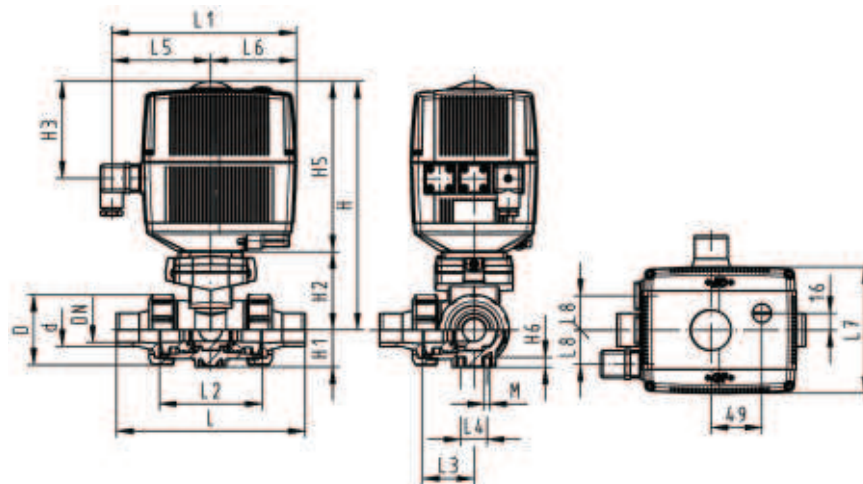
Model:

- Built on with electric actuator EA21
- Voltage 24 V AC/DC
- Control range 90°<
- Basic position A-B-C opened, activated position B-C opened, see flow scheme
- Other positions possible by adjusting the limit switches
- Control time 5 s/90°<
- For easy installation and removal
- Integrated stainless steel mounting inserts

d [mm]	DN [mm]	PN	kv-value (Δp=1 bar) [l/min]	EPDM Code	FPM Code
16	10	10	140	199 185 302	199 185 312
20	15	10	200	199 185 303	199 185 313
25	20	10	470	199 185 304	199 185 314
32	25	10	793	199 185 305	199 185 315
40	32	10	1290	199 185 306	199 185 316
50	40	10	1910	199 185 307	199 185 317
63	50	10	3100	199 185 308	199 185 318

d [mm]	D [mm]	H [mm]	H1 [mm]	H2 [mm]	H3 [mm]	H5 [mm]	H6 [mm]	L [mm]	L1 [mm]	L2 [mm]	L3 [mm]	L4 [mm]	L5 [mm]	L6 [mm]	L7 [mm]
16	50	231	28	64	94	167	8	131	180	73	36	25	97	83	122
20	50	231	28	64	94	167	8	141	180	73	36	25	97	83	122
25	58	240	32	73	94	167	8	165	180	86	43	25	97	83	122
32	68	240	36	73	94	167	8	182	180	99	50	25	97	83	122
40	84	251	45	84	94	167	9	209	180	120	60	45	97	83	122
50	97	251	51	84	94	167	9	242	180	137	69	45	97	83	122
63	124	273	65	106	94	167	9	302	180	179	89	45	97	83	122

d [mm]	L8 [mm]	M	closest inch
16	33	6	3/8
20	33	6	1/2
25	33	6	3/4
32	33	6	1
40	33	8	1 1/4
50	33	8	1 1/2
63	33	8	2



PVC-C metric

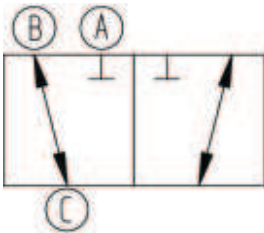
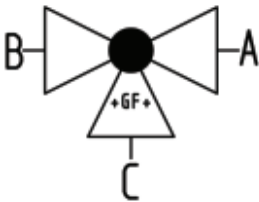
Ball valves pneumatic

3-Way ball valve type 285 PVC-C

Horizontal/L-port

Without manual override

With solvent cement sockets metric



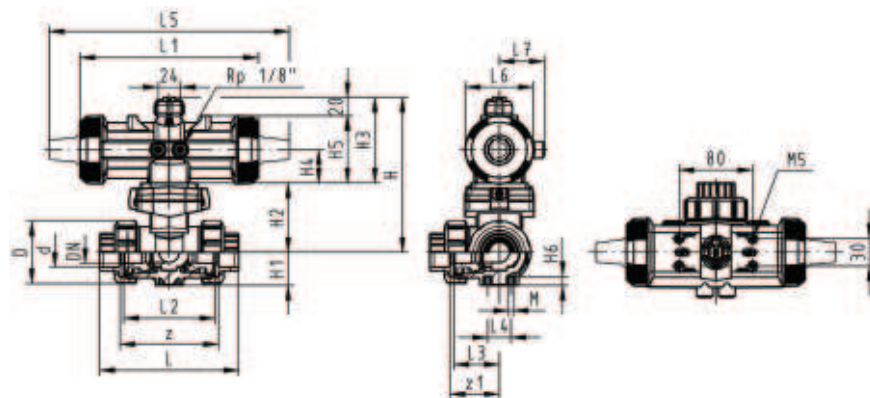
Model:

- Built on with pneumatic actuator PA11 (DN10/15-25), PA21 (DN32-50)
- Actuator fails safe to the closed position FC
- Basic position B-C opened, activated position A-C opened, see flow scheme
- Control time $90^\circ <$ 1-3 s
- For easy installation and removal
- Integrated stainless steel mounting inserts

d [mm]	DN [mm]	PN	kv-value ($\Delta p=1$ bar) [l/min]	EPDM Code	FPM Code
16	10	10	50	199 285 102	199 285 112
20	15	10	75	199 285 103	199 285 113
25	20	10	150	199 285 104	199 285 114
32	25	10	280	199 285 105	199 285 115
40	32	10	480	199 285 106	199 285 116
50	40	10	620	199 285 107	199 285 117
63	50	10	1230	199 285 108	199 285 118

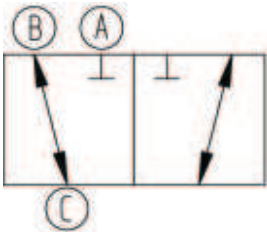
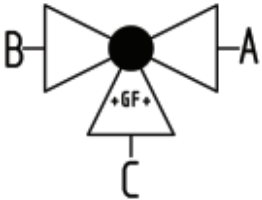
d [mm]	D [mm]	H [mm]	H1 [mm]	H2 [mm]	H3 [mm]	H4 [mm]	H5 [mm]	H6 [mm]	L [mm]	L1 [mm]	L2 [mm]	L3 [mm]	L4 [mm]	L5 [mm]	L6 [mm]
16	50	159	28	62	97	40	77	8	109	194	73	36	25	261	76
20	50	159	28	62	97	40	77	8	112	194	73	36	25	261	76
25	58	168	32	71	97	40	77	8	131	194	86	43	25	261	76
32	68	168	36	71	97	40	77	8	151	194	99	50	25	261	76
40	84	203	45	84	119	51	99	9	181	224	120	60	45	305	95
50	97	203	51	84	119	51	99	9	205	224	137	69	45	305	95
63	124	225	65	106	119	51	99	9	261	224	179	89	45	305	95

d [mm]	L7 [mm]	M	z [mm]	z1 [mm]	closest inch
16	48	6	81	40	$\frac{3}{8}$
20	48	6	81	40	$\frac{1}{2}$
25	48	6	94	47	$\frac{3}{4}$
32	48	6	107	54	1
40	59	8	130	65	$1 \frac{1}{4}$
50	59	8	143	72	$1 \frac{1}{2}$
63	59	8	185	92	2



PVC-C metric

3-Way ball valve type 285 PVC-C Horizontal/L-port Without manual override With solvent cement spigots metric



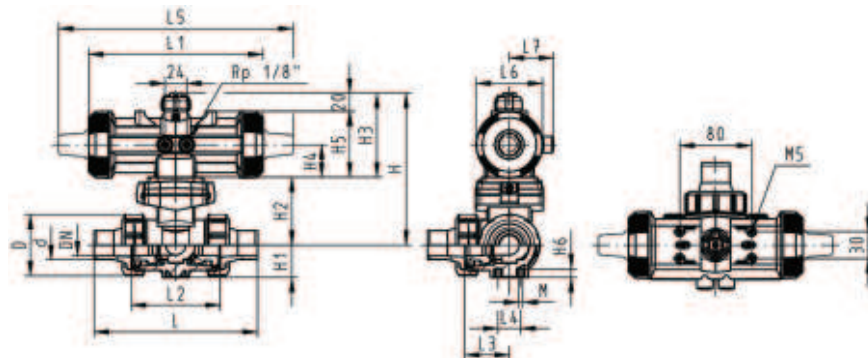
Model:

- Built on with pneumatic actuator PA11 (DN10/15-25), PA21 (DN32-50)
- Actuator fails safe to the closed position FC
- Basic position B-C opened, activated position A-C opened, see flow scheme
- Control time 90°<) 1-3 s
- For easy installation and removal
- Integrated stainless steel mounting inserts

d [mm]	DN [mm]	PN	kv-value (Δp=1 bar) [l/min]	EPDM Code	FPM Code
16	10	10	50	199 285 082	199 285 092
20	15	10	75	199 285 083	199 285 093
25	20	10	150	199 285 084	199 285 094
32	25	10	280	199 285 085	199 285 095
40	32	10	480	199 285 086	199 285 096
50	40	10	620	199 285 087	199 285 097
63	50	10	1230	199 285 088	199 285 098

d [mm]	D [mm]	H [mm]	H1 [mm]	H2 [mm]	H3 [mm]	H4 [mm]	H5 [mm]	H6 [mm]	L [mm]	L1 [mm]	L2 [mm]	L3 [mm]	L4 [mm]	L5 [mm]	L6 [mm]
16	50	159	28	62	97	40	77	8	131	194	73	36	25	261	76
20	50	159	28	62	97	40	77	8	141	194	73	36	25	261	76
25	58	168	32	71	97	40	77	8	165	194	86	43	25	261	76
32	68	168	36	71	97	40	77	8	182	194	99	50	25	261	76
40	84	203	45	84	119	51	99	9	209	224	120	60	45	305	95
50	97	203	51	84	119	51	99	9	242	224	137	69	45	305	95
63	124	225	65	106	119	51	99	9	302	224	179	89	45	305	95

d [mm]	L7 [mm]	M	closest inch
16	48	6	3/8
20	48	6	1/2
25	48	6	3/4
32	48	6	1
40	59	8	1 1/4
50	59	8	1 1/2
63	59	8	2



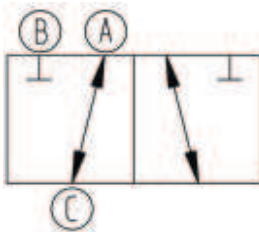
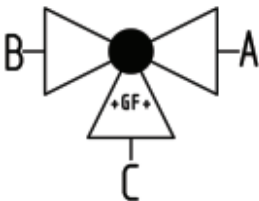
PVC-C metric



3-Way ball valve type 285 PVC-C Horizontal/L-port DA (Double acting) Without manual override With solvent cement sockets metric

Model:

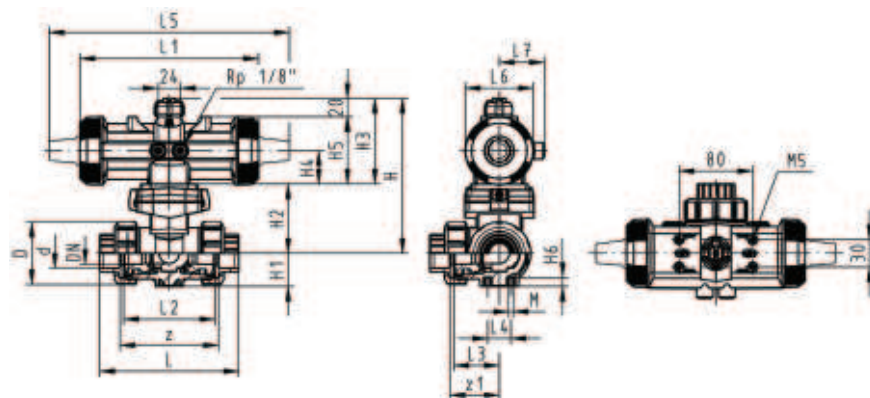
- Built on with pneumatic actuator PA11 (DN10/15-25), PA21 (DN32-50)
- Basic position A-C opened, activated position B-C opened, see flow scheme
- Control time $90^\circ <$ 1-3 s
- For easy installation and removal
- Integrated stainless steel mounting inserts



d [mm]	DN [mm]	PN	kv-value ($\Delta p=1$ bar) [l/min]	EPDM Code	FPM Code
16	10	10	50	199 285 282	199 285 292
20	15	10	75	199 285 283	199 285 293
25	20	10	150	199 285 284	199 285 294
32	25	10	280	199 285 285	199 285 295
40	32	10	480	199 285 286	199 285 296
50	40	10	620	199 285 287	199 285 297
63	50	10	1230	199 285 288	199 285 298

d [mm]	D [mm]	H [mm]	H1 [mm]	H2 [mm]	H3 [mm]	H4 [mm]	H5 [mm]	H6 [mm]	L [mm]	L1 [mm]	L2 [mm]	L3 [mm]	L4 [mm]	L5 [mm]	L6 [mm]
16	50	159	28	62	97	40	77	8	109	194	73	36	25	261	76
20	50	159	28	62	97	40	77	8	112	194	73	36	25	261	76
25	58	168	32	71	97	40	77	8	131	194	86	43	25	261	76
32	68	168	36	71	97	40	77	8	151	194	99	50	25	261	76
40	84	203	45	84	119	51	99	9	181	224	120	60	45	305	95
50	97	203	51	84	119	51	99	9	205	224	137	69	45	305	95
63	124	225	65	106	119	51	99	9	261	224	179	89	45	305	95

d [mm]	L7 [mm]	M	z [mm]	z1 [mm]	closest inch
16	48	6	81	40	$\frac{3}{8}$
20	48	6	81	40	$\frac{1}{2}$
25	48	6	94	47	$\frac{3}{4}$
32	48	6	107	54	1
40	59	8	130	65	$1 \frac{1}{4}$
50	59	8	143	72	$1 \frac{1}{2}$
63	59	8	185	92	2



PVC-C metric

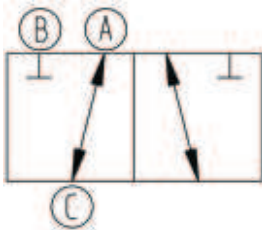
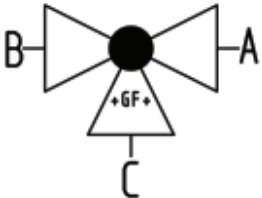


3-Way ball valve type 285 PVC-C Horizontal/L-port DA (Double acting) Without manual override With solvent cement spigots metric



Model:

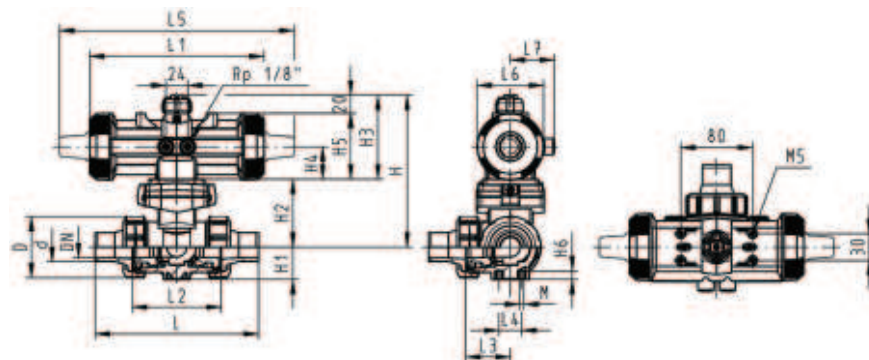
- Built on with pneumatic actuator PA11 (DN10/15-25), PA21 (DN32-50)
- Basic position A-C opened, activated position B-C opened, see flow scheme
- Control time 90°<) 1-3 s
- For easy installation and removal
- Integrated stainless steel mounting inserts



d [mm]	DN [mm]	PN	kv-value (Δp=1 bar) [l/min]	EPDM Code	FPM Code
16	10	10	50	199 285 262	199 285 272
20	15	10	75	199 285 263	199 285 273
25	20	10	150	199 285 264	199 285 274
32	25	10	280	199 285 265	199 285 275
40	32	10	480	199 285 266	199 285 276
50	40	10	620	199 285 267	199 285 277
63	50	10	1230	199 285 268	199 285 278

d [mm]	D [mm]	H [mm]	H1 [mm]	H2 [mm]	H3 [mm]	H4 [mm]	H5 [mm]	H6 [mm]	L [mm]	L1 [mm]	L2 [mm]	L3 [mm]	L4 [mm]	L5 [mm]	L6 [mm]
16	50	159	28	62	97	40	77	8	131	194	73	36	25	261	76
20	50	159	28	62	97	40	77	8	141	194	73	36	25	261	76
25	58	168	32	71	97	40	77	8	165	194	86	43	25	261	76
32	68	168	36	71	97	40	77	8	182	194	99	50	25	261	76
40	84	203	45	84	119	51	99	9	209	224	120	60	45	305	95
50	97	203	51	84	119	51	99	9	242	224	137	69	45	305	95
63	124	225	65	106	119	51	99	9	302	224	179	89	45	305	95

d [mm]	L7 [mm]	M	closest inch
16	48	6	3/8
20	48	6	1/2
25	48	6	3/4
32	48	6	1
40	59	8	1 1/4
50	59	8	1 1/2
63	59	8	2



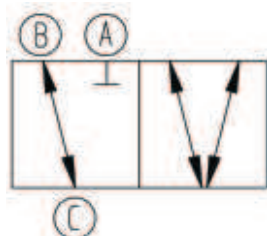
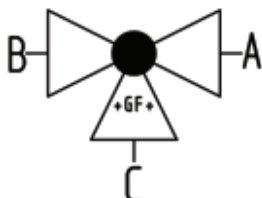
PVC-C metric



3-Way ball valve type 285 PVC-C Horizontal/T-port Without manual override With solvent cement sockets metric

Model:

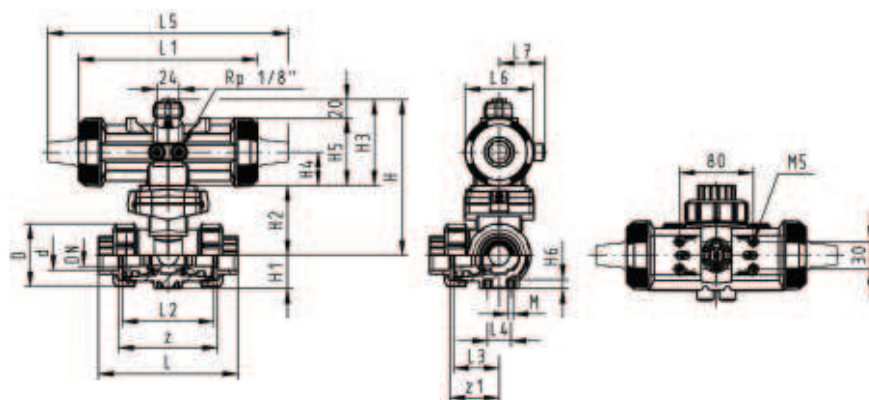
- Built on with pneumatic actuator PA11 (DN10/15-25), PA21 (DN32-50)
- Actuator fails safe to the closed position FC
- Basic position B-C opened, activated position A-B-C opened, see flow scheme
- Control time 90°< 1-3 s
- For easy installation and removal
- Integrated stainless steel mounting inserts



d [mm]	DN [mm]	PN	kv-value (Δp=1 bar) [l/min]	EPDM Code	FPM Code
16	10	10	140	199 285 142	199 285 152
20	15	10	200	199 285 143	199 285 153
25	20	10	470	199 285 144	199 285 154
32	25	10	793	199 285 145	199 285 155
40	32	10	1290	199 285 146	199 285 156
50	40	10	1910	199 285 147	199 285 157
63	50	10	3100	199 285 148	199 285 158

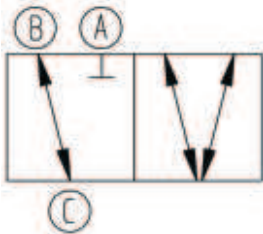
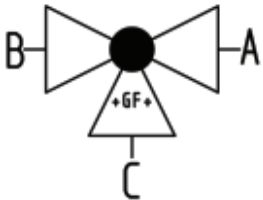
d [mm]	D [mm]	H [mm]	H1 [mm]	H2 [mm]	H3 [mm]	H4 [mm]	H5 [mm]	H6 [mm]	L [mm]	L1 [mm]	L2 [mm]	L3 [mm]	L4 [mm]	L5 [mm]	L6 [mm]
16	50	159	28	62	97	40	77	8	109	194	73	36	25	261	76
20	50	159	28	62	97	40	77	8	112	194	73	36	25	261	76
25	58	168	32	71	97	40	77	8	131	194	86	43	25	261	76
32	68	168	36	71	97	40	77	8	151	194	99	50	25	261	76
40	84	203	45	84	119	51	99	9	181	224	120	60	45	305	95
50	97	203	51	84	119	51	99	9	205	224	137	69	45	305	95
63	124	225	65	106	119	51	99	9	261	224	179	89	45	305	95

d [mm]	L7 [mm]	M	z [mm]	z1 [mm]	closest inch
16	48	6	81	40	3/8
20	48	6	81	40	1/2
25	48	6	94	47	3/4
32	48	6	107	54	1
40	59	8	130	65	1 1/4
50	59	8	143	72	1 1/2
63	59	8	185	92	2



PVC-C metric

3-Way ball valve type 285 PVC-C Horizontal/T-port Without manual override With solvent cement spigots metric



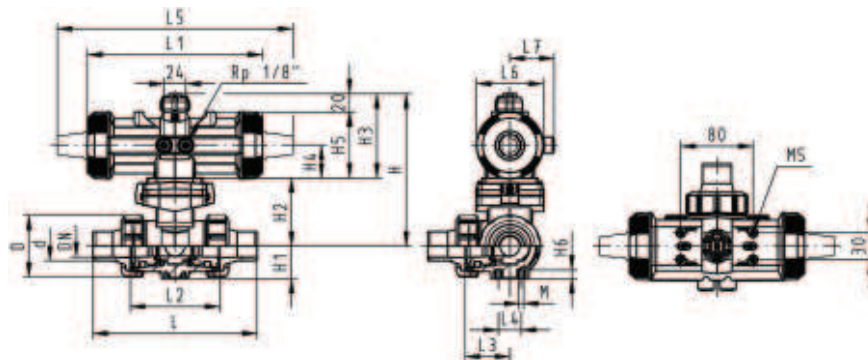
Model:

- Built on with pneumatic actuator PA11 (DN10/15-25), PA21 (DN32-50)
- Actuator fails safe to the closed position FC
- Basic position B-C opened, activated position A-B-C opened, see flow scheme
- Control time 90°<) 1-3 s
- For easy installation and removal
- Integrated stainless steel mounting inserts

d [mm]	DN [mm]	PN	kv-value (Δp=1 bar) [l/min]	EPDM Code	FPM Code
16	10	10	140	199 285 122	199 285 132
20	15	10	200	199 285 123	199 285 133
25	20	10	470	199 285 124	199 285 134
32	25	10	793	199 285 125	199 285 135
40	32	10	1290	199 285 126	199 285 136
50	40	10	1910	199 285 127	199 285 137
63	50	10	3100	199 285 128	199 285 138

d [mm]	D [mm]	H [mm]	H1 [mm]	H2 [mm]	H3 [mm]	H4 [mm]	H5 [mm]	H6 [mm]	L [mm]	L1 [mm]	L2 [mm]	L3 [mm]	L4 [mm]	L5 [mm]	L6 [mm]
16	50	159	28	62	97	40	77	8	131	194	73	36	25	261	76
20	50	159	28	62	97	40	77	8	141	194	73	36	25	261	76
25	58	168	32	71	97	40	77	8	165	194	86	43	25	261	76
32	68	168	36	71	97	40	77	8	182	194	99	50	25	261	76
40	84	203	45	84	119	51	99	9	209	224	120	60	45	305	95
50	97	203	51	84	119	51	99	9	242	224	137	69	45	305	95
63	124	225	65	106	119	51	99	9	302	224	179	89	45	305	95

d [mm]	L7 [mm]	M	closest inch
16	48	6	3/8
20	48	6	1/2
25	48	6	3/4
32	48	6	1
40	59	8	1 1/4
50	59	8	1 1/2
63	59	8	2



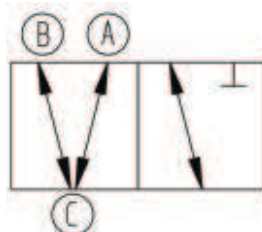
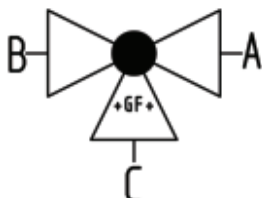
PVC-C metric



3-Way ball valve type 285 PVC-C Horizontal/T-port DA (Double acting) Without manual override With solvent cement sockets metric

Model:

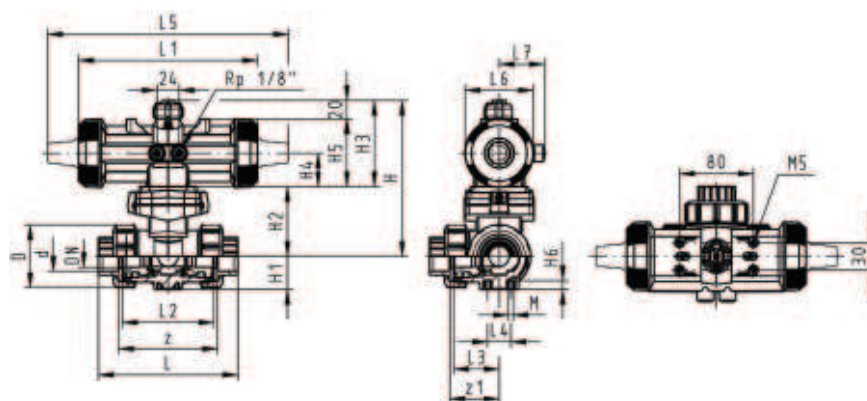
- Built on with pneumatic actuator PA11 (DN10/15-25), PA21 (DN32-50)
- Basic position A-B-C opened, activated position B-C opened, see flow scheme
- Control time 90°<) 1-3 s
- For easy installation and removal
- Integrated stainless steel mounting inserts



d [mm]	DN [mm]	PN	kv-value (Δp=1 bar) [l/min]	EPDM Code	FPM Code
16	10	10	140	199 285 322	199 285 332
20	15	10	200	199 285 323	199 285 333
25	20	10	470	199 285 324	199 285 334
32	25	10	793	199 285 325	199 285 335
40	32	10	1290	199 285 326	199 285 336
50	40	10	1910	199 285 327	199 285 337
63	50	10	3100	199 285 328	199 285 338

d [mm]	D [mm]	H [mm]	H1 [mm]	H2 [mm]	H3 [mm]	H4 [mm]	H5 [mm]	H6 [mm]	L [mm]	L1 [mm]	L2 [mm]	L3 [mm]	L4 [mm]	L5 [mm]	L6 [mm]
16	50	159	28	62	97	40	77	8	109	194	73	36	25	261	76
20	50	159	28	62	97	40	77	8	112	194	73	36	25	261	76
25	58	168	32	71	97	40	77	8	131	194	86	43	25	261	76
32	68	168	36	71	97	40	77	8	151	194	99	50	25	261	76
40	84	203	45	84	119	51	99	9	181	224	120	60	45	305	95
50	97	203	51	84	119	51	99	9	205	224	137	69	45	305	95
63	124	225	65	106	119	51	99	9	261	224	179	89	45	305	95

d [mm]	L7 [mm]	M	z [mm]	z1 [mm]	closest inch
16	48	6	81	40	3/8
20	48	6	81	40	1/2
25	48	6	94	47	3/4
32	48	6	107	54	1
40	59	8	130	65	1 1/4
50	59	8	143	72	1 1/2
63	59	8	185	92	2



PVC-C metric

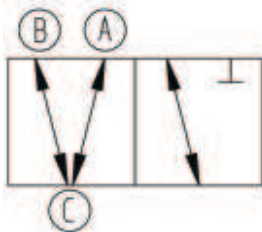
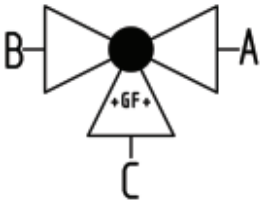


3-Way ball valve type 285 PVC-C Horizontal/T-port DA (Double acting) Without manual override With solvent cement spigots metric



Model:

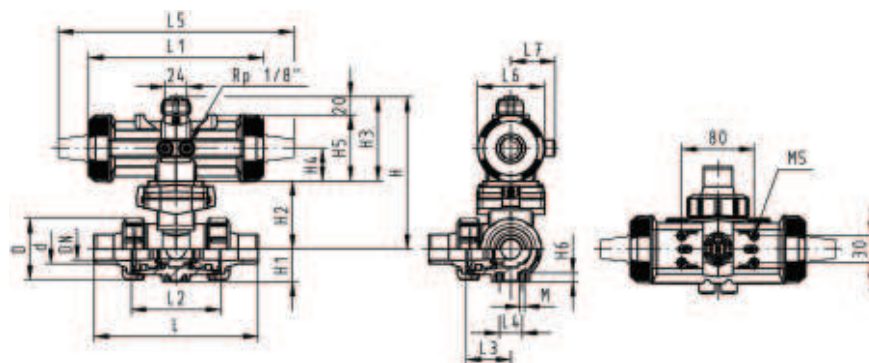
- Built on with pneumatic actuator PA11 (DN10/15-25), PA21 (DN32-50)
- Basic position A-B-C opened, activated position B-C opened, see flow scheme
- Control time $90^\circ <$ 1-3 s
- For easy installation and removal
- Integrated stainless steel mounting inserts



d [mm]	DN [mm]	PN	kv-value ($\Delta p=1$ bar) [l/min]	EPDM Code	FPM Code
16	10	10	140	199 285 302	199 285 312
20	15	10	200	199 285 303	199 285 313
25	20	10	470	199 285 304	199 285 314
32	25	10	793	199 285 305	199 285 315
40	32	10	1290	199 285 306	199 285 316
50	40	10	1910	199 285 307	199 285 317
63	50	10	3100	199 285 308	199 285 318

d [mm]	D [mm]	H [mm]	H1 [mm]	H2 [mm]	H3 [mm]	H4 [mm]	H5 [mm]	H6 [mm]	L [mm]	L1 [mm]	L2 [mm]	L3 [mm]	L4 [mm]	L5 [mm]	L6 [mm]
16	50	159	28	62	97	40	77	8	131	194	73	36	25	261	76
20	50	159	28	62	97	40	77	8	141	194	73	36	25	261	76
25	58	168	32	71	97	40	77	8	165	194	86	43	25	261	76
32	68	168	36	71	97	40	77	8	182	194	99	50	25	261	76
40	84	203	45	84	119	51	99	9	209	224	120	60	45	305	95
50	97	203	51	84	119	51	99	9	242	224	137	69	45	305	95
63	124	225	65	106	119	51	99	9	302	224	179	89	45	305	95

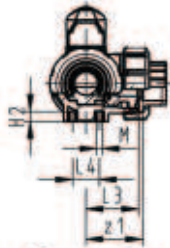
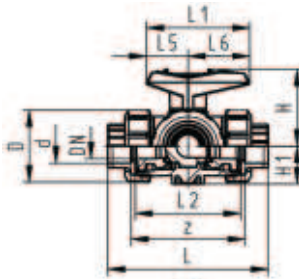
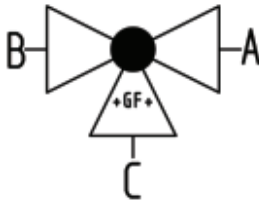
d [mm]	L7 [mm]	M	closest inch
16	48	6	$\frac{3}{8}$
20	48	6	$\frac{1}{2}$
25	48	6	$\frac{3}{4}$
32	48	6	1
40	59	8	$1 \frac{1}{4}$
50	59	8	$1 \frac{1}{2}$
63	59	8	2



PVC-C metric silicone free/paintcompatible

Ball valves

3-Way ball valve type 543 PVC-C SF Horizontal/L-port With solvent cement sockets metric



Model:

- For easy installation and removal (valve end and union nut are compatible with type 546)
- Ball seals PVDF
- Pneumatic or electric actuator available separately
- Angle of operation 360° without turn limiter
- Turn limiter 90° enclosed, in different positions usable as a clip-on ring
- Integrated stainless steel mounting inserts
- Silicone free / paint-compatible
- Delivery status A-C opened, see flow scheme

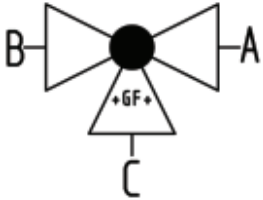
d [mm]	DN [mm]	PN	kv-value (Δp=1 bar) [l/min]	EPDM Code	FPM Code
16	10	10	50	163 543 141	163 543 151
20	15	10	75	163 543 142	163 543 152
25	20	10	150	163 543 143	163 543 153
32	25	10	280	163 543 144	163 543 154
40	32	10	480	163 543 145	163 543 155
50	40	10	620	163 543 146	163 543 156
63	50	10	1230	163 543 147	163 543 157

d [mm]	D [mm]	L [mm]	L1 [mm]	L2 [mm]	L3 [mm]	L4 [mm]	L5 [mm]	L6 [mm]	H [mm]	H1 [mm]	H2 [mm]	M	z [mm]	z1 [mm]	closest inch
16	50	109	77	73	36	25	32	45	57	28	8	6	81	40	3/8
20	50	112	77	73	36	25	32	45	57	28	8	6	81	40	1/2
25	58	131	97	86	43	25	39	58	67	32	8	6	94	47	3/4
32	68	151	97	99	50	25	39	58	73	36	8	6	107	54	1
40	84	181	128	120	60	45	54	74	90	45	9	8	130	65	1 1/4
50	97	205	128	137	69	45	54	74	97	51	9	8	143	72	1 1/2
63	124	261	152	179	89	45	66	87	116	65	9	8	185	92	2

PVC-C metric silicone free/paintcompatible



3-Way ball valve type 543 PVC-C SF Horizontal/T-port With solvent cement sockets metric

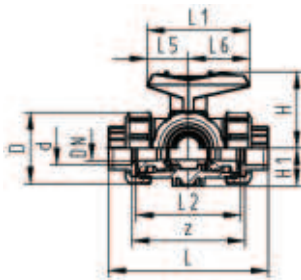


Model:

- For easy installation and removal (valve end and union nut are compatible with type 546)
- Ball seals PVDF
- Pneumatic or electric actuator available separately
- Angle of operation 360° without turn limiter
- Turn limiter 90° enclosed, in different positions usable as a clip-on ring
- Integrated stainless steel mounting inserts
- Silicone free / paint-compatible
- Delivery status A-B-C opened, see flow scheme



d [mm]	DN [mm]	PN	kv-value ($\Delta p=1$ bar) [l/min]	EPDM Code	FPM Code
16	10	10	140	163 543 341	163 543 351
20	15	10	200	163 543 342	163 543 352
25	20	10	470	163 543 343	163 543 353
32	25	10	793	163 543 344	163 543 354
40	32	10	1290	163 543 345	163 543 355
50	40	10	1910	163 543 346	163 543 356
63	50	10	3100	163 543 347	163 543 357



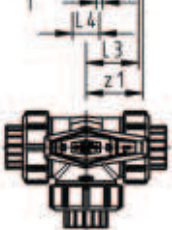
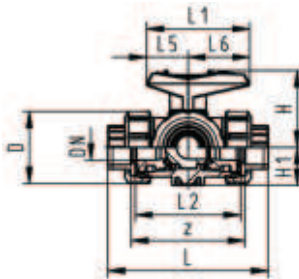
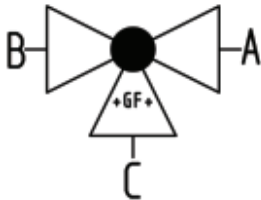
d [mm]	D [mm]	L [mm]	L1 [mm]	L2 [mm]	L3 [mm]	L4 [mm]	L5 [mm]	L6 [mm]	H [mm]	H1 [mm]	H2 [mm]	M	z [mm]	z1 [mm]	closest inch
16	50	109	77	73	36	25	32	45	57	28	8	6	81	40	3/8
20	50	112	77	73	36	25	32	45	57	28	8	6	81	40	1/2
25	58	131	97	86	43	25	39	58	67	32	8	6	94	47	3/4
32	68	151	97	99	50	25	39	58	73	36	8	6	107	54	1
40	84	181	128	120	60	45	54	74	90	45	9	8	130	65	1 1/4
50	97	205	128	137	69	45	54	74	97	51	9	8	143	72	1 1/2
63	124	261	152	179	89	45	66	87	116	65	9	8	185	92	2



PVC-C ASTM/ANSI/BS

Ball valves

3-Way ball valve type 543 PVC-C Horizontal/L-port With solvent cement sockets ASTM



Model:

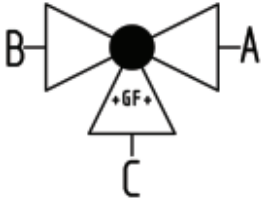
- For easy installation and removal (valve end and union nut are compatible with type 546)
- Ball seals PTFE
- Pneumatic or electric actuator available separately
- Angle of operation 360° without turn limiter
- Turn limiter 90° enclosed, in different positions usable as a clip-on ring
- Integrated stainless steel mounting inserts
- Delivery status A-C opened, see flow scheme

Inch	DN [mm]	PN	kv-value ($\Delta p=1$ bar) [l/min]	EPDM Code	FPM Code
3/8	10	10	50	163 543 081	163 543 091
1/2	15	10	75	163 543 082	163 543 092
3/4	20	10	150	163 543 083	163 543 093
1	25	10	280	163 543 084	163 543 094
1 1/4	32	10	480	163 543 085	163 543 095
1 1/2	40	10	620	163 543 086	163 543 096
2	50	10	1230	163 543 087	163 543 097

Inch	D [mm]	L [mm]	L1 [mm]	L2 [mm]	L3 [mm]	L4 [mm]	L5 [mm]	L6 [mm]	H [mm]	H1 [mm]	H2 [mm]	M	z [mm]	z1 [mm]
3/8	50	123	77	73	36	25	32	45	57	28	8	6	85	42
1/2	50	122	77	73	36	25	32	45	57	28	8	6	77	38
3/4	58	141	97	86	43	25	39	58	67	32	8	6	92	46
1	68	161	97	99	50	25	39	58	73	36	8	6	105	53
1 1/4	84	187	128	120	60	45	54	74	90	45	9	8	126	63
1 1/2	97	213	128	137	69	45	54	74	97	51	9	8	143	72
2	124	261	152	179	89	45	66	87	116	65	9	8	185	92

PVC-C ASTM/ANSI/BS

3-Way ball valve type 543 PVC-C Horizontal/L-port With threaded sockets NPT

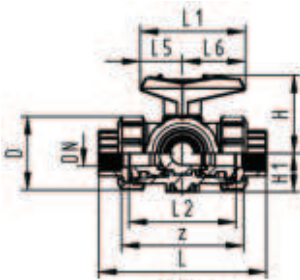


Model:

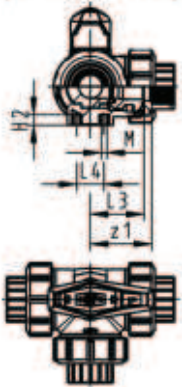
- For easy installation and removal (valve end and union nut are compatible with type 546)
- Ball seals PTFE
- Pneumatic or electric actuator available separately
- Angle of operation 360° without turn limiter
- Turn limiter 90° enclosed, in different positions usable as a clip-on ring
- Integrated stainless steel mounting inserts
- Delivery status A-C opened, see flow scheme



NPT [inch]	DN [mm]	PN	kv-value ($\Delta p=1$ bar) [l/min]	EPDM Code	FPM Code
3/8	10	10	50	163 543 101	163 543 111
1/2	15	10	75	163 543 102	163 543 112
3/4	20	10	150	163 543 103	163 543 113
1	25	10	280	163 543 104	163 543 114
1 1/4	32	10	480	163 543 105	163 543 115
1 1/2	40	10	620	163 543 106	163 543 116
2	50	10	1230	163 543 107	163 543 117



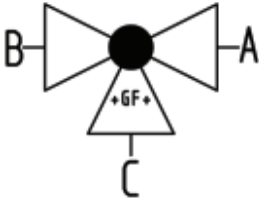
NPT [inch]	D [mm]	L [mm]	L1 [mm]	L2 [mm]	L3 [mm]	L4 [mm]	L5 [mm]	L6 [mm]	H [mm]	H1 [mm]	H2 [mm]	M	z [mm]	z1 [mm]
3/8	50	115	77	73	36	25	32	45	57	28	8	6	87	43
1/2	50	114	77	73	36	25	32	45	57	28	8	6	81	40
3/4	58	131	97	86	43	25	39	58	67	32	8	6	96	48
1	68	155	97	99	50	25	39	58	73	36	8	6	111	56
1 1/4	84	181	128	120	60	45	54	74	90	45	9	8	134	67
1 1/2	97	205	128	137	69	45	54	74	97	51	9	8	159	80
2	124	261	152	179	89	45	66	87	116	65	9	8	213	106



PVC-C ASTM/ANSI/BS



3-Way ball valve type 543 PVC-C Horizontal/T-port With solvent cement sockets ASTM

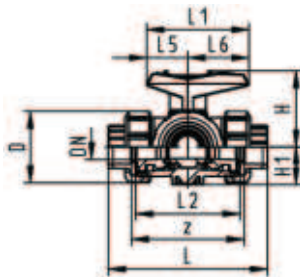


Model:

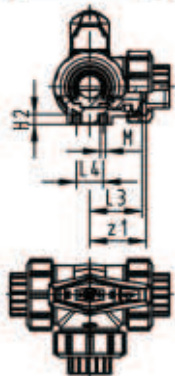
- For easy installation and removal (valve end and union nut are compatible with type 546)
- Ball seals PTFE
- Pneumatic or electric actuator available separately
- Angle of operation 360° without turn limiter
- Turn limiter 90° enclosed, in different positions usable as a clip-on ring
- Integrated stainless steel mounting inserts
- Delivery status A-B-C opened, see flow scheme



Inch	DN [mm]	PN	kv-value ($\Delta p=1$ bar) [l/min]	EPDM Code	FPM Code
3/8	10	10	140	163 543 281	163 543 291
1/2	15	10	200	163 543 282	163 543 292
3/4	20	10	470	163 543 283	163 543 293
1	25	10	793	163 543 284	163 543 294
1 1/4	32	10	1290	163 543 285	163 543 295
1 1/2	40	10	1910	163 543 286	163 543 296
2	50	10	3100	163 543 287	163 543 297

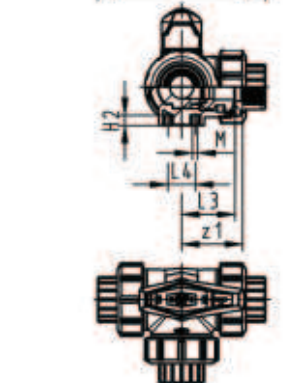
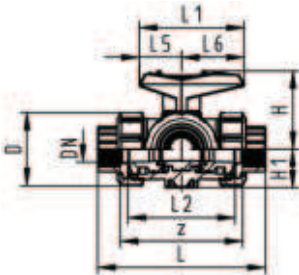
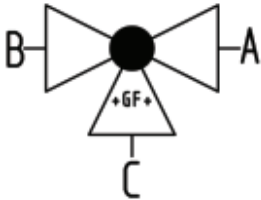


Inch	D [mm]	L [mm]	L1 [mm]	L2 [mm]	L3 [mm]	L4 [mm]	L5 [mm]	L6 [mm]	H [mm]	H1 [mm]	H2 [mm]	M	z [mm]	z1 [mm]
3/8	50	123	77	73	36	25	32	45	57	28	8	6	85	42
1/2	50	122	77	73	36	25	32	45	57	28	8	6	77	38
3/4	58	141	97	86	43	25	39	58	67	32	8	6	92	46
1	68	161	97	99	50	25	39	58	73	36	8	6	105	53
1 1/4	84	187	128	120	60	45	54	74	90	45	9	8	126	63
1 1/2	97	213	128	137	69	45	54	74	97	51	9	8	143	72
2	124	261	152	179	89	45	66	87	116	65	9	8	185	92



PVC-C ASTM/ANSI/BS

3-Way ball valve type 543 PVC-C Horizontal/T-port With threaded sockets NPT



Model:

- For easy installation and removal (valve end and union nut are compatible with type 546)
- Ball seals PTFE
- Pneumatic or electric actuator available separately
- Angle of operation 360° without turn limiter
- Turn limiter 90° enclosed, in different positions usable as a clip-on ring
- Integrated stainless steel mounting inserts
- Delivery status A-B-C opened, see flow scheme

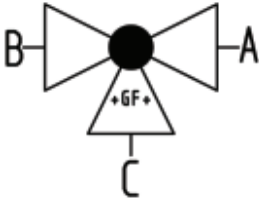
NPT [inch]	DN [mm]	PN	kv-value ($\Delta p=1$ bar) [l/min]	EPDM Code	FPM Code
3/8	10	10	140	163 543 301	163 543 311
1/2	15	10	200	163 543 302	163 543 312
3/4	20	10	470	163 543 303	163 543 313
1	25	10	793	163 543 304	163 543 314
1 1/4	32	10	1290	163 543 305	163 543 315
1 1/2	40	10	1910	163 543 306	163 543 316
2	50	10	3100	163 543 307	163 543 317

NPT [inch]	D [mm]	L [mm]	L1 [mm]	L2 [mm]	L3 [mm]	L4 [mm]	L5 [mm]	L6 [mm]	H [mm]	H1 [mm]	H2 [mm]	M	z [mm]	z1 [mm]
3/8	50	115	77	73	36	25	32	45	57	28	8	6	87	43
1/2	50	114	77	73	36	25	32	45	57	28	8	6	81	40
3/4	58	131	97	86	43	25	39	58	67	32	8	6	96	48
1	68	155	97	99	50	25	39	58	73	36	8	6	111	56
1 1/4	84	181	128	120	60	45	54	74	90	45	9	8	134	67
1 1/2	97	205	128	137	69	45	54	74	97	51	9	8	159	80
2	124	261	152	179	89	45	66	87	116	65	9	8	213	106

PVC-C ASTM/ANSI/BS

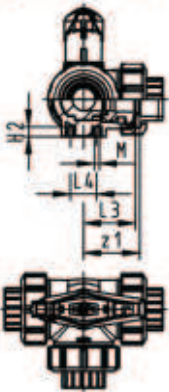
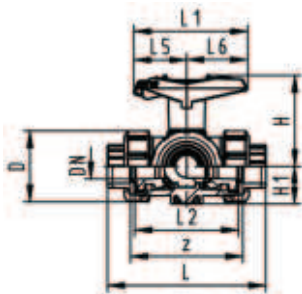


3-Way ball valve type 543 PVC-C Horizontal/L-port With lockable handle With solvent cement sockets ASTM



Model:

- For easy installation and removal (valve end and union nut are compatible with type 546)
- Ball seals PTFE
- Pneumatic or electric actuator available separately
- Angle of operation 360° without turn limiter
- Turn limiter 90° enclosed, in different positions usable as a clip-on ring
- Integrated stainless steel mounting inserts
- Multifunctional lever red with ratched setting 45°, lockable
- Delivery status A-C opened, see flow scheme



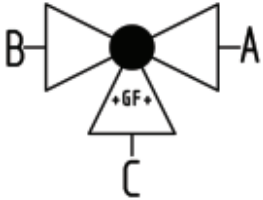
Inch	DN [mm]	PN	kv-value ($\Delta p=1$ bar) [l/min]	EPDM Code	FPM Code
3/8	10	10	50	163 543 421	163 543 431
1/2	15	10	75	163 543 422	163 543 432
3/4	20	10	150	163 543 423	163 543 433
1	25	10	280	163 543 424	163 543 434
1 1/4	32	10	480	163 543 425	163 543 435
1 1/2	40	10	620	163 543 426	163 543 436
2	50	10	1230	163 543 427	163 543 437

Inch	D [mm]	L [mm]	L1 [mm]	L2 [mm]	L3 [mm]	L4 [mm]	L5 [mm]	L6 [mm]	H [mm]	H1 [mm]	H2 [mm]	M	z [mm]	z1 [mm]
3/8	50	123	87	73	36	25	42	45	79	28	8	6	85	42
1/2	50	122	87	73	36	25	42	45	79	28	8	6	77	38
3/4	58	141	108	86	43	25	50	58	88	32	8	6	92	46
1	68	161	108	99	50	25	50	58	94	36	8	6	105	53
1 1/4	84	187	141	120	60	45	66	75	113	45	9	8	126	63
1 1/2	97	213	141	137	69	45	66	75	119	51	9	8	143	72
2	124	261	165	179	89	45	78	87	141	65	9	8	185	92

PVC-C ASTM/ANSI/BS

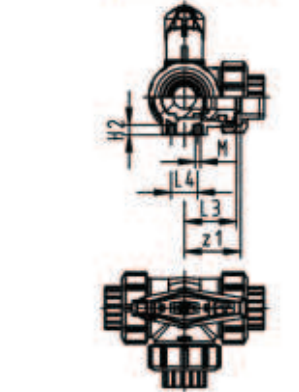
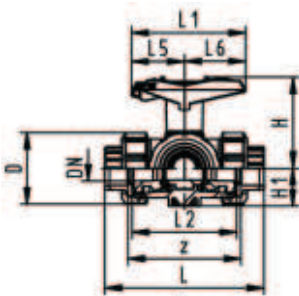


3-Way ball valve type 543 PVC-C Horizontal/T-port With lockable handle With solvent cement sockets ASTM



Model:

- For easy installation and removal (valve end and union nut are compatible with type 546)
- Ball seals PTFE
- Pneumatic or electric actuator available separately
- Angle of operation 360° without turn limiter
- Turn limiter 90° enclosed, in different positions usable as a clip-on ring
- Integrated stainless steel mounting inserts
- Multifunctional lever red with ratched setting 45°, lockable
- Delivery status A-B-C opened, see flow scheme



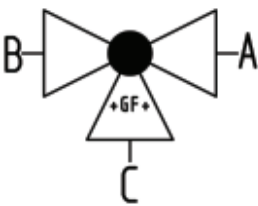
Inch	DN [mm]	PN	kv-value ($\Delta p=1$ bar) [l/min]	EPDM Code	FPM Code
3/8	10	10	140	163 543 441	163 543 451
1/2	15	10	200	163 543 442	163 543 452
3/4	20	10	470	163 543 443	163 543 453
1	25	10	793	163 543 444	163 543 454
1 1/4	32	10	1290	163 543 445	163 543 455
1 1/2	40	10	1910	163 543 446	163 543 456
2	50	10	3100	163 543 447	163 543 457

Inch	D [mm]	L [mm]	L1 [mm]	L2 [mm]	L3 [mm]	L4 [mm]	L5 [mm]	L6 [mm]	H [mm]	H1 [mm]	H2 [mm]	M	z [mm]	z1 [mm]
3/8	50	123	87	73	36	25	42	45	79	28	8	6	85	42
1/2	50	122	87	73	36	25	42	45	79	28	8	6	77	38
3/4	58	141	108	86	43	25	50	58	88	32	8	6	92	46
1	68	161	108	99	50	25	50	58	94	36	8	6	105	53
1 1/4	84	187	141	120	60	45	66	75	113	45	9	8	126	63
1 1/2	97	213	141	137	69	45	66	75	119	51	9	8	143	72
2	124	261	165	179	89	45	78	87	141	65	9	8	185	92

PVC-C ASTM/ANSI/BS

Ball valves electric

**3-Way ball valve type 185 PVC-C
Horizontal/L-port 100-230V
With manual emergency override
With solvent cement sockets ASTM**



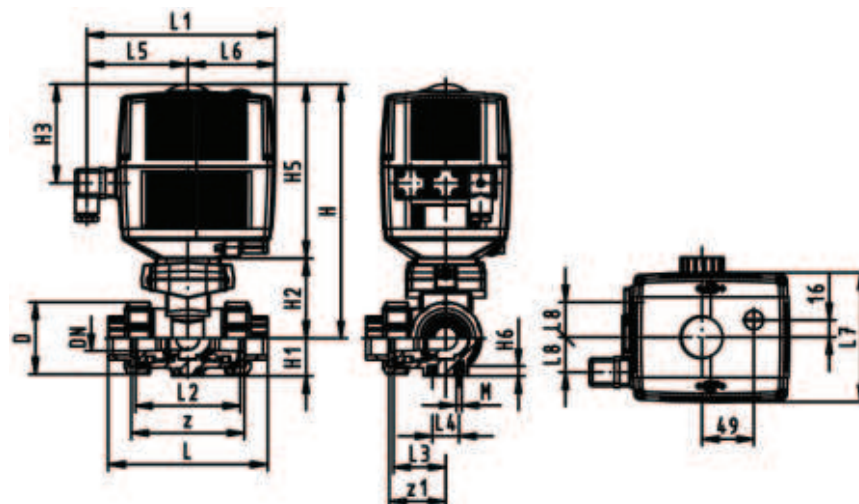
Model:

- Built on with electric actuator EA21
- Voltage 100-230 V, 50-60 Hz
- Control range 90°<
- Basic position A-C opened, activated position B-C opened, see flow scheme
- Other positions possible by adjusting the limit switches
- Control time 5 s/90°<
- For easy installation and removal
- Integrated stainless steel mounting inserts

Inch	DN [mm]	PN	kv-value (Δp=1 bar) [l/min]	EPDM Code	FPM Code
3/8	10	10	50	199 185 462	199 185 472
1/2	15	10	75	199 185 463	199 185 473
3/4	20	10	150	199 185 464	199 185 474
1	25	10	280	199 185 465	199 185 475
1 1/4	32	10	480	199 185 466	199 185 476
1 1/2	40	10	620	199 185 467	199 185 477
2	50	10	1230	199 185 468	199 185 478

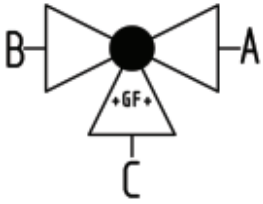
Inch	D [mm]	H [mm]	H1 [mm]	H2 [mm]	H3 [mm]	H5 [mm]	H6 [mm]	L [mm]	L1 [mm]	L2 [mm]	L3 [mm]	L4 [mm]	L5 [mm]	L6 [mm]	L7 [mm]
3/8	50	231	28	64	94	167	8	123	180	73	36	25	97	83	122
1/2	50	231	28	64	94	167	8	122	180	73	36	25	97	83	122
3/4	58	240	32	73	94	167	8	141	180	86	43	25	97	83	122
1	68	240	36	73	94	167	8	161	180	99	50	25	97	83	122
1 1/4	84	251	45	84	94	167	9	187	180	120	60	45	97	83	122
1 1/2	97	251	51	84	94	167	9	213	180	137	69	45	97	83	122
2	124	273	65	106	94	167	9	261	180	179	89	45	97	83	122

Inch	L8 [mm]	M	z [mm]	z1 [mm]
3/8	33	6	85	42
1/2	33	6	77	38
3/4	33	6	92	46
1	33	6	105	53
1 1/4	33	8	126	63
1 1/2	33	8	143	72
2	33	8	185	92



PVC-C ASTM/ANSI/BS

3-Way ball valve type 185 PVC-C Horizontal/L-port 100-230V With manual emergency override With threaded sockets NPT



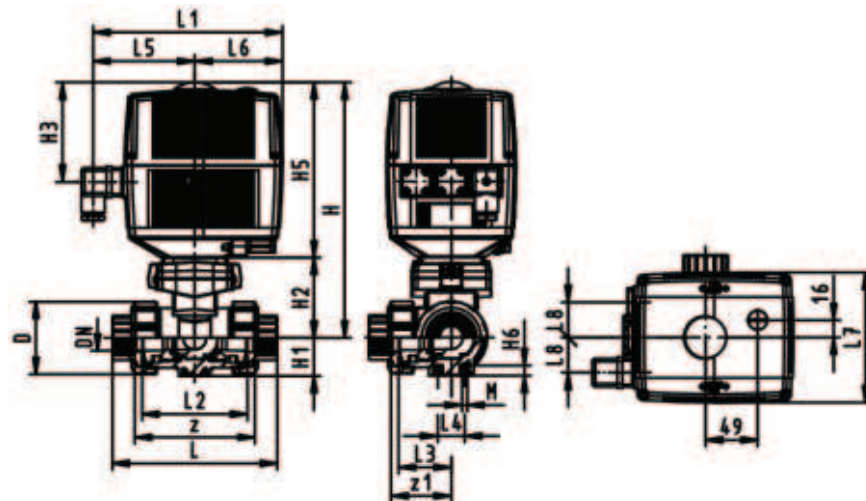
Model:

- Built on with electric actuator EA21
- Voltage 100-230 V, 50-60 Hz
- Control range 90°<
- Basic position A-C opened, activated position B-C opened, see flow scheme
- Other positions possible by adjusting the limit switches
- Control time 5 s/90°<
- For easy installation and removal
- Integrated stainless steel mounting inserts

NPT [inch]	DN [mm]	PN	kv-value ($\Delta p=1$ bar) [l/min]	EPDM Code	FPM Code
3/8	10	10	50	199 185 442	199 185 452
1/2	15	10	75	199 185 443	199 185 453
3/4	20	10	150	199 185 444	199 185 454
1	25	10	280	199 185 445	199 185 455
1 1/4	32	10	480	199 185 446	199 185 456
1 1/2	40	10	620	199 185 447	199 185 457
2	50	10	1230	199 185 448	199 185 458

NPT [inch]	D [mm]	H [mm]	H1 [mm]	H2 [mm]	H3 [mm]	H5 [mm]	H6 [mm]	L [mm]	L1 [mm]	L2 [mm]	L3 [mm]	L4 [mm]	L5 [mm]	L6 [mm]	L7 [mm]
3/8	50	231	28	64	94	167	8	115	180	73	36	25	97	83	122
1/2	50	231	28	64	94	167	8	114	180	73	36	25	97	83	122
3/4	58	240	32	73	94	167	8	131	180	86	43	25	97	83	122
1	68	240	36	73	94	167	8	155	180	99	50	25	97	83	122
1 1/4	84	251	45	84	94	167	9	181	180	120	60	45	97	83	122
1 1/2	97	251	51	84	94	167	9	205	180	137	69	45	97	83	122
2	124	273	65	106	94	167	9	261	180	179	89	45	97	83	122

NPT [inch]	L8 [mm]	M	z [mm]	z1 [mm]
3/8	33	6	87	43
1/2	33	6	81	40
3/4	33	6	96	48
1	33	6	111	56
1 1/4	33	8	134	67
1 1/2	33	8	159	80
2	33	8	213	106



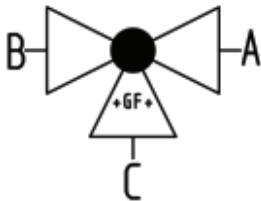
PVC-C ASTM/ANSI/BS

3-Way ball valve type 185 PVC-C Horizontal/L-port 24V With manual emergency override With solvent cement sockets ASTM



Model:

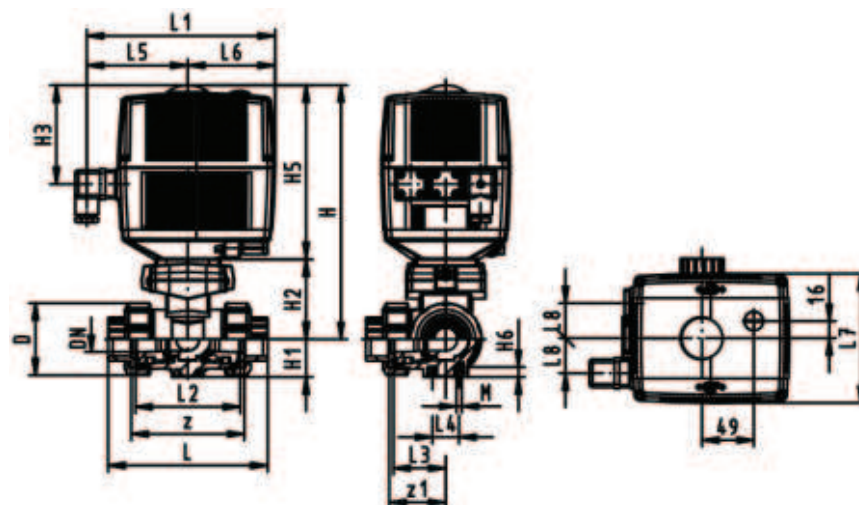
- Built on with electric actuator EA21
- Voltage 24 V AC/DC
- Control range 90°<
- Basic position A-C opened, activated position B-C opened, see flow scheme
- Other positions possible by adjusting the limit switches
- Control time 5 s/90°<
- For easy installation and removal
- Integrated stainless steel mounting inserts



Inch	DN [mm]	PN	kv-value (Δp=1 bar) [l/min]	EPDM Code	FPM Code
3/8	10	10	50	199 185 622	199 185 632
1/2	15	10	75	199 185 623	199 185 633
3/4	20	10	150	199 185 624	199 185 634
1	25	10	280	199 185 625	199 185 635
1 1/4	32	10	480	199 185 626	199 185 636
1 1/2	40	10	620	199 185 627	199 185 637
2	50	10	1230	199 185 628	199 185 638

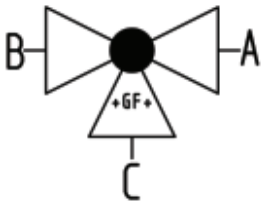
Inch	D [mm]	H [mm]	H1 [mm]	H2 [mm]	H3 [mm]	H5 [mm]	H6 [mm]	L [mm]	L1 [mm]	L2 [mm]	L3 [mm]	L4 [mm]	L5 [mm]	L6 [mm]	L7 [mm]
3/8	50	231	28	64	94	167	8	123	180	73	36	25	97	83	122
1/2	50	231	28	64	94	167	8	122	180	73	36	25	97	83	122
3/4	58	240	32	73	94	167	8	141	180	86	43	25	97	83	122
1	68	240	36	73	94	167	8	161	180	99	50	25	97	83	122
1 1/4	84	251	45	84	94	167	9	187	180	120	60	45	97	83	122
1 1/2	97	251	51	84	94	167	9	213	180	137	69	45	97	83	122
2	124	273	65	106	94	167	9	261	180	179	89	45	97	83	122

Inch	L8 [mm]	M	z [mm]	z1 [mm]
3/8	33	6	85	42
1/2	33	6	77	38
3/4	33	6	92	46
1	33	6	105	53
1 1/4	33	8	126	63
1 1/2	33	8	143	72
2	33	8	185	92



PVC-C ASTM/ANSI/BS

3-Way ball valve type 185 PVC-C Horizontal/L-port 24V With manual emergency override With threaded sockets NPT



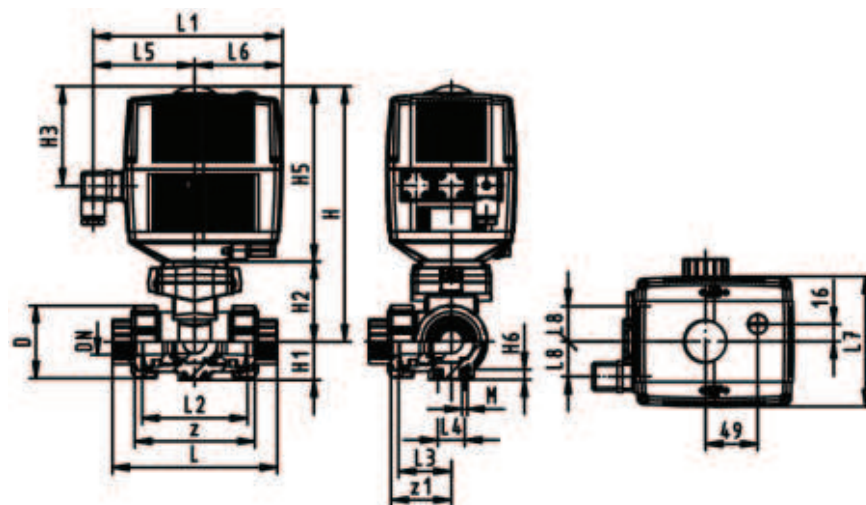
Model:

- Built on with electric actuator EA21
- Voltage 24 V AC/DC
- Control range 90°<
- Basic position A-C opened, activated position B-C opened, see flow scheme
- Other positions possible by adjusting the limit switches
- Control time 5 s/90°<
- For easy installation and removal
- Integrated stainless steel mounting inserts

NPT [inch]	DN [mm]	PN	kv-value ($\Delta p=1 \text{ bar}$) [l/min]	EPDM Code	FPM Code
3/8	10	10	50	199 185 602	199 185 612
1/2	15	10	75	199 185 603	199 185 613
3/4	20	10	150	199 185 604	199 185 614
1	25	10	280	199 185 605	199 185 615
1 1/4	32	10	480	199 185 606	199 185 616
1 1/2	40	10	620	199 185 607	199 185 617
2	50	10	1230	199 185 608	199 185 618

NPT [inch]	D [mm]	H [mm]	H1 [mm]	H2 [mm]	H3 [mm]	H5 [mm]	H6 [mm]	L [mm]	L1 [mm]	L2 [mm]	L3 [mm]	L4 [mm]	L5 [mm]	L6 [mm]	L7 [mm]
3/8	50	231	28	64	94	167	8	115	180	73	36	25	97	83	122
1/2	50	231	28	64	94	167	8	114	180	73	36	25	97	83	122
3/4	58	240	32	73	94	167	8	131	180	86	43	25	97	83	122
1	68	240	36	73	94	167	8	155	180	99	50	25	97	83	122
1 1/4	84	251	45	84	94	167	9	181	180	120	60	45	97	83	122
1 1/2	97	251	51	84	94	167	9	205	180	137	69	45	97	83	122
2	124	273	65	106	94	167	9	261	180	179	89	45	97	83	122

NPT [inch]	L8 [mm]	M	z [mm]	z1 [mm]
3/8	33	6	87	43
1/2	33	6	81	40
3/4	33	6	96	48
1	33	6	111	56
1 1/4	33	8	134	67
1 1/2	33	8	159	80
2	33	8	213	106



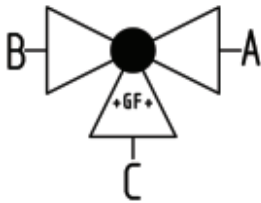
PVC-C ASTM/ANSI/BS

3-Way ball valve type 185 PVC-C Horizontal/T-port 100-230V With manual emergency override With solvent cement sockets ASTM



Model:

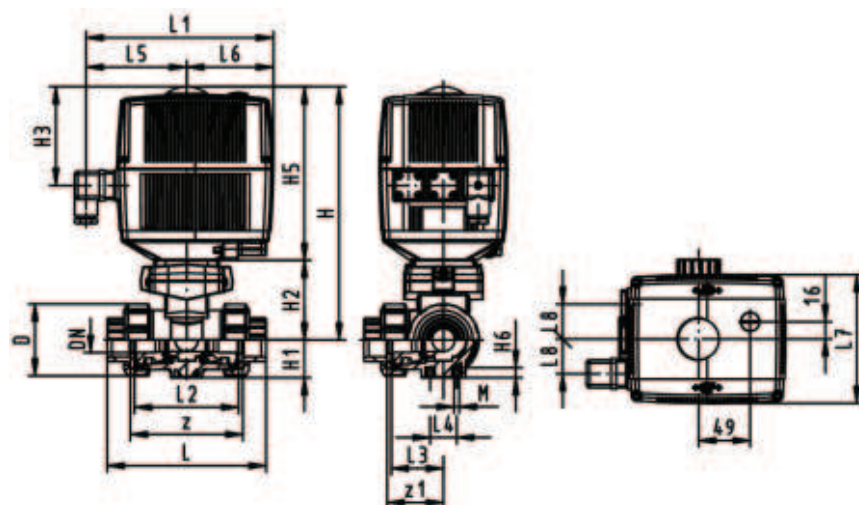
- Built on with electric actuator EA21
- Voltage 100-230 V, 50-60 Hz
- Control range 90°<
- Basic position A-B-C opened, activated position B-C opened, see flow scheme
- Other positions possible by adjusting the limit switches
- Control time 5 s/90°<
- For easy installation and removal
- Integrated stainless steel mounting inserts



Inch	DN [mm]	PN	kv-value (Δp=1 bar) [l/min]	EPDM Code	FPM Code
3/8	10	10	140	199 185 502	199 185 512
1/2	15	10	200	199 185 503	199 185 513
3/4	20	10	470	199 185 504	199 185 514
1	25	10	793	199 185 505	199 185 515
1 1/4	32	10	1290	199 185 506	199 185 516
1 1/2	40	10	1910	199 185 507	199 185 517
2	50	10	3100	199 185 508	199 185 518

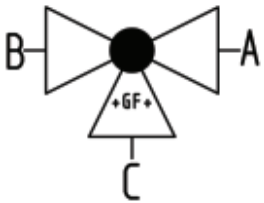
Inch	D [mm]	H [mm]	H1 [mm]	H2 [mm]	H3 [mm]	H5 [mm]	H6 [mm]	L [mm]	L1 [mm]	L2 [mm]	L3 [mm]	L4 [mm]	L5 [mm]	L6 [mm]	L7 [mm]
3/8	50	231	28	64	94	167	8	123	180	73	36	25	97	83	122
1/2	50	231	28	64	94	167	8	122	180	73	36	25	97	83	122
3/4	58	240	32	73	94	167	8	141	180	86	43	25	97	83	122
1	68	240	36	73	94	167	8	161	180	99	50	25	97	83	122
1 1/4	84	251	45	84	94	167	9	187	180	120	60	45	97	83	122
1 1/2	97	251	51	84	94	167	9	213	180	137	69	45	97	83	122
2	124	273	65	106	94	167	9	261	180	179	89	45	97	83	122

Inch	L8 [mm]	M	z [mm]	z1 [mm]
3/8	33	6	85	42
1/2	33	6	77	38
3/4	33	6	92	46
1	33	6	105	53
1 1/4	33	8	126	63
1 1/2	33	8	143	72
2	33	8	185	92



PVC-C ASTM/ANSI/BS

3-Way ball valve type 185 PVC-C Horizontal/T-port 100-230V With manual emergency override With threaded sockets NPT



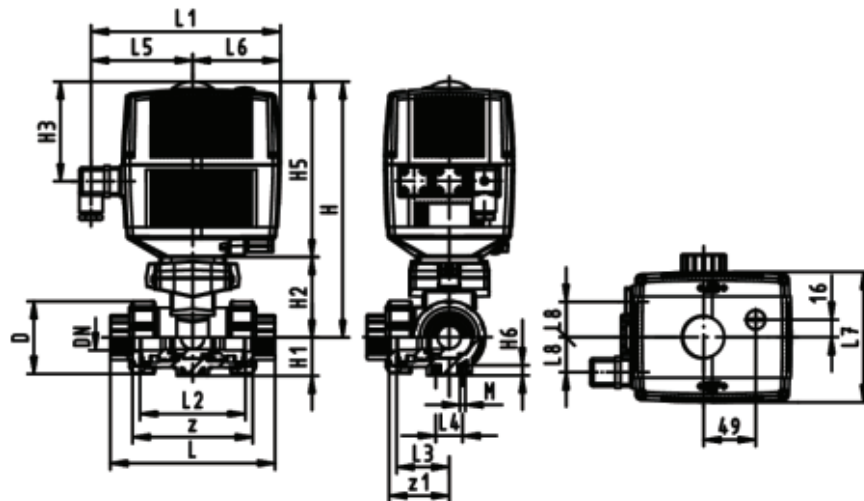
Model:

- Built on with electric actuator EA21
- Voltage 100-230 V, 50-60 Hz
- Control range 90°<
- Basic position A-B-C opened, activated position B-C opened, see flow scheme
- Other positions possible by adjusting the limit switches
- Control time 5 s/90°<
- For easy installation and removal
- Integrated stainless steel mounting inserts

NPT [inch]	DN [mm]	PN	kv-value ($\Delta p=1 \text{ bar}$) [l/min]	EPDM Code	FPM Code
3/8	10	10	140	199 185 482	199 185 492
1/2	15	10	200	199 185 483	199 185 493
3/4	20	10	470	199 185 484	199 185 494
1	25	10	793	199 185 485	199 185 495
1 1/4	32	10	1290	199 185 486	199 185 496
1 1/2	40	10	1910	199 185 487	199 185 497
2	50	10	3100	199 185 488	199 185 498

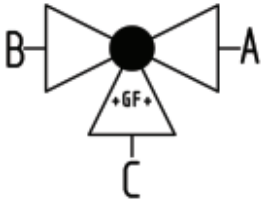
NPT [inch]	D [mm]	H [mm]	H1 [mm]	H2 [mm]	H3 [mm]	H5 [mm]	H6 [mm]	L [mm]	L1 [mm]	L2 [mm]	L3 [mm]	L4 [mm]	L5 [mm]	L6 [mm]	L7 [mm]
3/8	50	231	28	64	94	167	8	115	180	73	36	25	97	83	122
1/2	50	231	28	64	94	167	8	114	180	73	36	25	97	83	122
3/4	58	240	32	73	94	167	8	131	180	86	43	25	97	83	122
1	68	240	36	73	94	167	8	155	180	99	50	25	97	83	122
1 1/4	84	251	45	84	94	167	9	181	180	120	60	45	97	83	122
1 1/2	97	251	51	84	94	167	9	205	180	137	69	45	97	83	122
2	124	273	65	106	94	167	9	261	180	179	89	45	97	83	122

NPT [inch]	L8 [mm]	M	z [mm]	z1 [mm]
3/8	33	6	87	43
1/2	33	6	81	40
3/4	33	6	96	48
1	33	6	111	56
1 1/4	33	8	134	67
1 1/2	33	8	159	80
2	33	8	213	106



PVC-C ASTM/ANSI/BS

3-Way ball valve type 185 PVC-C Horizontal/T-port 24V With manual emergency override With threaded sockets NPT



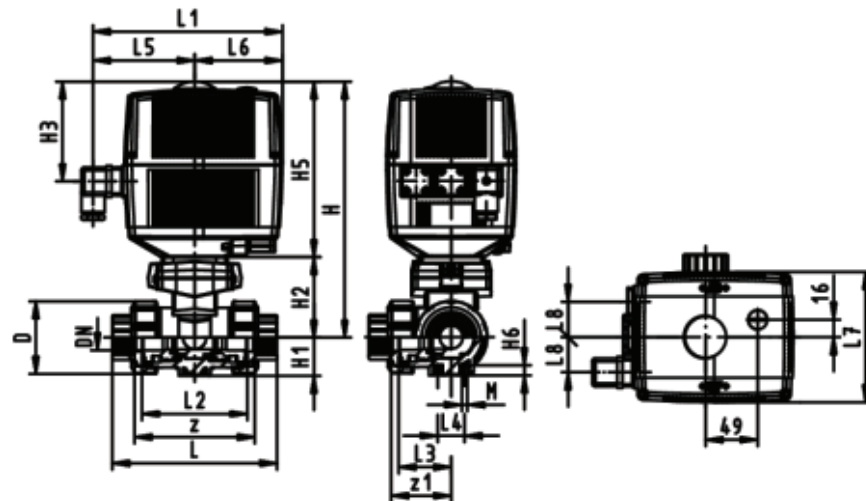
Model:

- Built on with electric actuator EA21
- Voltage 24 V AC/DC
- Control range 90°<
- Basic position A-B-C opened, activated position B-C opened, see flow scheme
- Other positions possible by adjusting the limit switches
- Control time 5 s/90°<
- For easy installation and removal
- Integrated stainless steel mounting inserts

NPT [inch]	DN [mm]	PN	kv-value ($\Delta p=1 \text{ bar}$) [l/min]	EPDM Code	FPM Code
3/8	10	10	140	199 185 642	199 185 652
1/2	15	10	200	199 185 643	199 185 653
3/4	20	10	470	199 185 644	199 185 654
1	25	10	793	199 185 645	199 185 655
1 1/4	32	10	1290	199 185 646	199 185 656
1 1/2	40	10	1910	199 185 647	199 185 657
2	50	10	3100	199 185 648	199 185 658

NPT [inch]	D [mm]	H [mm]	H1 [mm]	H2 [mm]	H3 [mm]	H5 [mm]	H6 [mm]	L [mm]	L1 [mm]	L2 [mm]	L3 [mm]	L4 [mm]	L5 [mm]	L6 [mm]	L7 [mm]
3/8	50	231	28	64	94	167	8	115	180	73	36	25	97	83	122
1/2	50	231	28	64	94	167	8	114	180	73	36	25	97	83	122
3/4	58	240	32	73	94	167	8	131	180	86	43	25	97	83	122
1	68	240	36	73	94	167	8	155	180	99	50	25	97	83	122
1 1/4	84	251	45	84	94	167	9	181	180	120	60	45	97	83	122
1 1/2	97	251	51	84	94	167	9	205	180	137	69	45	97	83	122
2	124	273	65	106	94	167	9	261	180	179	89	45	97	83	122

NPT [inch]	L8 [mm]	M	z [mm]	z1 [mm]
3/8	33	6	87	43
1/2	33	6	81	40
3/4	33	6	96	48
1	33	6	111	56
1 1/4	33	8	134	67
1 1/2	33	8	159	80
2	33	8	213	106



PVC-C ASTM/ANSI/BS

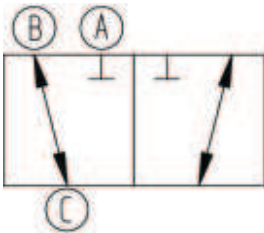
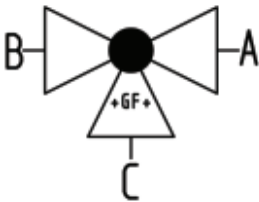
Ball valves pneumatic

3-Way ball valve type 285 PVC-C

Horizontal/L-port

Without manual override

With solvent cement sockets ASTM



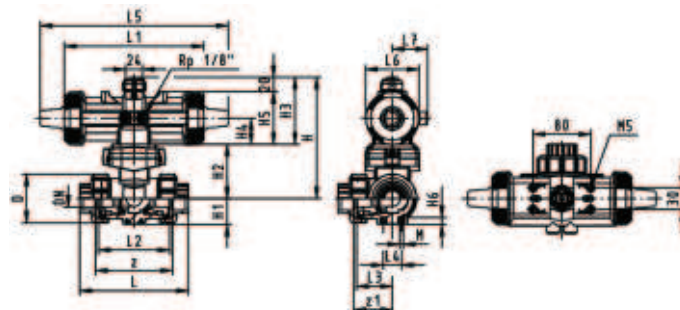
Model:

- Built on with pneumatic actuator PA11 (DN10/15-25), PA21 (DN32-50)
- Actuator fails safe to the closed position FC
- Basic position B-C opened, activated position A-C opened, see flow scheme
- Control time 90°<) 1-3 s
- For easy installation and removal
- Integrated stainless steel mounting inserts

Inch	DN [mm]	PN	kv-value (Δp=1 bar) [l/min]	EPDM Code	FPM Code
3/8	10	10	50	199 285 462	199 285 472
1/2	15	10	75	199 285 463	199 285 473
3/4	20	10	150	199 285 464	199 285 474
1	25	10	280	199 285 465	199 285 475
1 1/4	32	10	480	199 285 466	199 285 476
1 1/2	40	10	620	199 285 467	199 285 477
2	50	10	1230	199 285 468	199 285 478

Inch	D [mm]	H [mm]	H1 [mm]	H2 [mm]	H3 [mm]	H4 [mm]	H5 [mm]	H6 [mm]	L [mm]	L1 [mm]	L2 [mm]	L3 [mm]	L4 [mm]	L5 [mm]	L6 [mm]
3/8	50	159	28	62	97	40	77	8	123	194	73	36	25	261	76
1/2	50	159	28	62	97	40	77	8	122	194	73	36	25	261	76
3/4	58	168	32	71	97	40	77	8	141	194	86	43	25	261	76
1	68	168	36	71	97	40	77	8	161	194	99	50	25	261	76
1 1/4	84	203	45	84	119	51	99	9	187	224	120	60	45	305	95
1 1/2	97	203	51	84	119	51	99	9	213	224	137	69	45	305	95
2	124	225	65	106	119	51	99	9	261	224	179	89	45	305	95

Inch	L7 [mm]	M	z [mm]	z1 [mm]
3/8	48	6	85	42
1/2	48	6	77	38
3/4	48	6	92	46
1	48	6	105	53
1 1/4	59	8	126	63
1 1/2	59	8	143	72
2	59	8	185	92



PVC-C ASTM/ANSI/BS

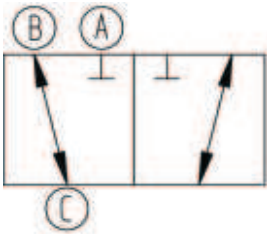
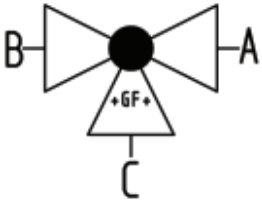


3-Way ball valve type 285 PVC-C Horizontal/L-port Without manual override With threaded sockets NPT



Model:

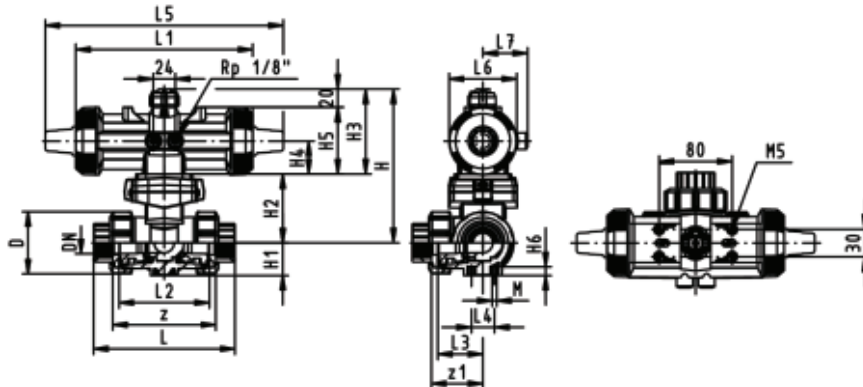
- Built on with pneumatic actuator PA11 (DN10/15-25), PA21 (DN32-50)
- Actuator fails safe to the closed position FC
- Basic position B-C opened, activated position A-C opened, see flow scheme
- Control time 90°<) 1-3 s
- For easy installation and removal
- Integrated stainless steel mounting inserts



NPT [inch]	DN [mm]	PN	kv-value ($\Delta p=1$ bar) [l/min]	EPDM Code	FPM Code
3/8	10	10	50	199 285 442	199 285 452
1/2	15	10	75	199 285 443	199 285 453
3/4	20	10	150	199 285 444	199 285 454
1	25	10	280	199 285 445	199 285 455
1 1/4	32	10	480	199 285 446	199 285 456
1 1/2	40	10	620	199 285 447	199 285 457
2	50	10	1230	199 285 448	199 285 458

NPT [inch]	D [mm]	H [mm]	H1 [mm]	H2 [mm]	H3 [mm]	H4 [mm]	H5 [mm]	H6 [mm]	L [mm]	L1 [mm]	L2 [mm]	L3 [mm]	L4 [mm]	L5 [mm]	L6 [mm]
3/8	50	159	28	62	97	40	77	8	115	194	73	36	25	261	76
1/2	50	159	28	62	97	40	77	8	114	194	73	36	25	261	76
3/4	58	168	32	71	97	40	77	8	131	194	86	43	25	261	76
1	68	168	36	71	97	40	77	8	155	194	99	50	25	261	76
1 1/4	84	203	45	84	119	51	99	9	181	224	120	60	45	305	95
1 1/2	97	203	51	84	119	51	99	9	205	224	137	69	45	305	95
2	124	225	65	106	119	51	99	9	261	224	179	89	45	305	95

NPT [inch]	L7 [mm]	M	z [mm]	z1 [mm]
3/8	48	6	87	43
1/2	48	6	81	40
3/4	48	6	96	48
1	48	6	111	56
1 1/4	59	8	134	67
1 1/2	59	8	159	80
2	59	8	213	106



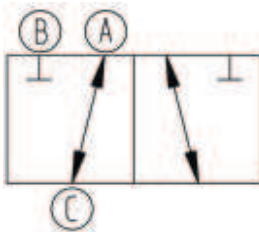
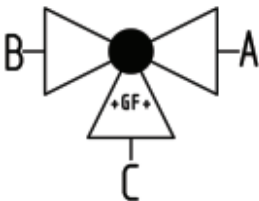
PVC-C ASTM/ANSI/BS



3-Way ball valve type 285 PVC-C Horizontal/L-port DA (Double acting) Without manual override With solvent cement sockets ASTM

Model:

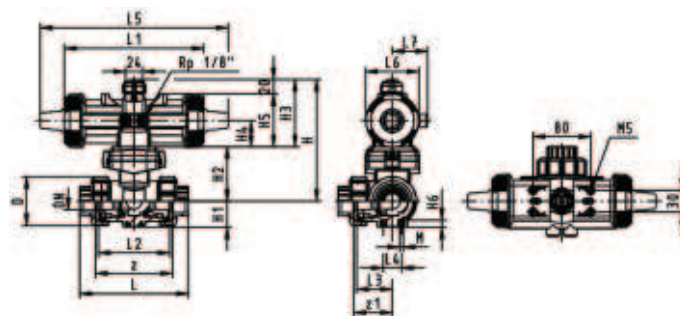
- Built on with pneumatic actuator PA11 (DN10/15-25), PA21 (DN32-50)
- Basic position A-C opened, activated position B-C opened, see flow scheme
- Control time 90°<) 1-3 s
- For easy installation and removal
- Integrated stainless steel mounting inserts



Inch	DN [mm]	PN	kv-value (Δp=1 bar) [l/min]	EPDM Code	FPM Code
3/8	10	10	50	199 285 942	199 285 952
1/2	15	10	75	199 285 943	199 285 953
3/4	20	10	150	199 285 944	199 285 954
1	25	10	280	199 285 945	199 285 955
1 1/4	32	10	480	199 285 946	199 285 956
1 1/2	40	10	620	199 285 947	199 285 957
2	50	10	1230	199 285 948	199 285 958

Inch	D [mm]	H [mm]	H1 [mm]	H2 [mm]	H3 [mm]	H4 [mm]	H5 [mm]	H6 [mm]	L [mm]	L1 [mm]	L2 [mm]	L3 [mm]	L4 [mm]	L5 [mm]	L6 [mm]
3/8	50	159	28	62	97	40	77	8	123	194	73	36	25	261	76
1/2	50	159	28	62	97	40	77	8	122	194	73	36	25	261	76
3/4	58	168	32	71	97	40	77	8	141	194	86	43	25	261	76
1	68	168	36	71	97	40	77	8	161	194	99	50	25	261	76
1 1/4	84	203	45	84	119	51	99	9	187	224	120	60	45	305	95
1 1/2	97	203	51	84	119	51	99	9	213	224	137	69	45	305	95
2	124	225	65	106	119	51	99	9	261	224	179	89	45	305	95

Inch	L7 [mm]	M	z [mm]	z1 [mm]
3/8	48	6	85	42
1/2	48	6	77	38
3/4	48	6	92	46
1	48	6	105	53
1 1/4	59	8	126	63
1 1/2	59	8	143	72
2	59	8	185	92



PVC-C ASTM/ANSI/BS

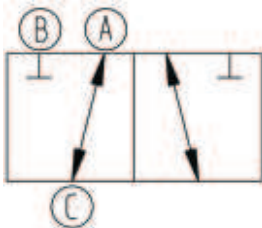
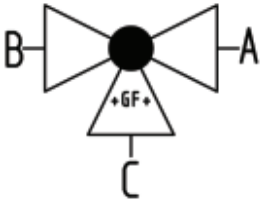


3-Way ball valve type 285 PVC-C Horizontal/L-port DA (Double acting) Without manual override With threaded sockets NPT



Model:

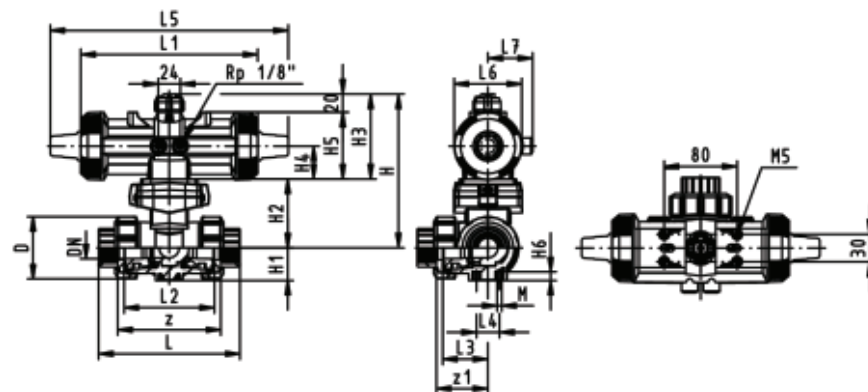
- Built on with pneumatic actuator PA11 (DN10/15-25), PA21 (DN32-50)
- Basic position A-C opened, activated position B-C opened, see flow scheme
- Control time 90°<) 1-3 s
- For easy installation and removal
- Integrated stainless steel mounting inserts



NPT [inch]	DN [mm]	PN	kv-value ($\Delta p=1$ bar) [l/min]	EPDM Code	FPM Code
3/8	10	10	50	199 285 922	199 285 932
1/2	15	10	75	199 285 923	199 285 933
3/4	20	10	150	199 285 924	199 285 934
1	25	10	280	199 285 925	199 285 935
1 1/4	32	10	480	199 285 926	199 285 936
1 1/2	40	10	620	199 285 927	199 285 937
2	50	10	1230	199 285 928	199 285 938

NPT [inch]	D [mm]	H [mm]	H1 [mm]	H2 [mm]	H3 [mm]	H4 [mm]	H5 [mm]	H6 [mm]	L [mm]	L1 [mm]	L2 [mm]	L3 [mm]	L4 [mm]	L5 [mm]	L6 [mm]
3/8	50	159	28	62	97	40	77	8	115	194	73	36	25	261	76
1/2	50	159	28	62	97	40	77	8	114	194	73	36	25	261	76
3/4	58	168	32	71	97	40	77	8	131	194	86	43	25	261	76
1	68	168	36	71	97	40	77	8	155	194	99	50	25	261	76
1 1/4	84	203	45	84	119	51	99	9	181	224	120	60	45	305	95
1 1/2	97	203	51	84	119	51	99	9	205	224	137	69	45	305	95
2	124	225	65	106	119	51	99	9	261	224	179	89	45	305	95

NPT [inch]	L7 [mm]	M	z [mm]	z1 [mm]
3/8	48	6	87	43
1/2	48	6	81	40
3/4	48	6	96	48
1	48	6	111	56
1 1/4	59	8	134	67
1 1/2	59	8	159	80
2	59	8	213	106



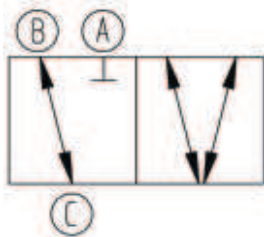
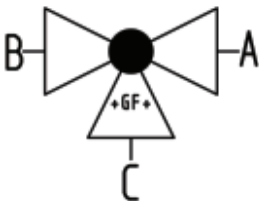
PVC-C ASTM/ANSI/BS



3-Way ball valve type 285 PVC-C Horizontal/T-port Without manual override With solvent cement sockets ASTM

Model:

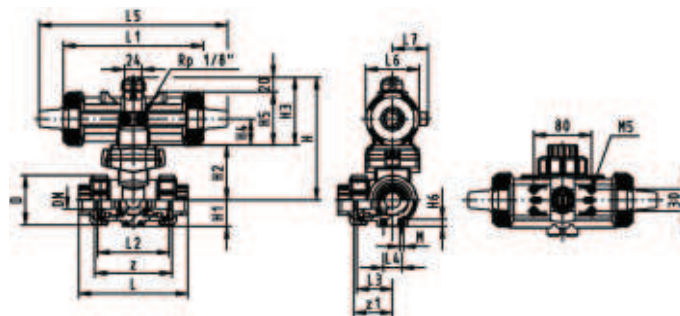
- Built on with pneumatic actuator PA11 (DN10/15-25), PA21 (DN32-50)
- Actuator fails safe to the closed position FC
- Basic position B-C opened, activated position A-B-C opened, see flow scheme
- Control time 90° < 1-3 s
- For easy installation and removal
- Integrated stainless steel mounting inserts



Inch	DN [mm]	PN	kv-value (Δp=1 bar) [l/min]	EPDM Code	FPM Code
3/8	10	10	140	199 285 502	199 285 512
1/2	15	10	200	199 285 503	199 285 513
3/4	20	10	470	199 285 504	199 285 514
1	25	10	793	199 285 505	199 285 515
1 1/4	32	10	1290	199 285 506	199 285 516
1 1/2	40	10	1910	199 285 507	199 285 517
2	50	10	3100	199 285 508	199 285 518

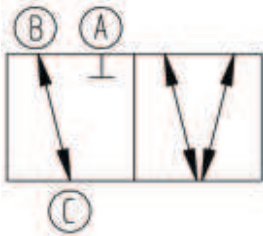
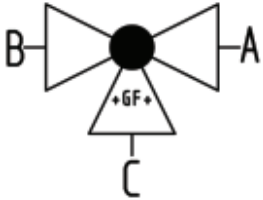
Inch	D [mm]	H [mm]	H1 [mm]	H2 [mm]	H3 [mm]	H4 [mm]	H5 [mm]	H6 [mm]	L [mm]	L1 [mm]	L2 [mm]	L3 [mm]	L4 [mm]	L5 [mm]	L6 [mm]
3/8	50	159	28	62	97	40	77	8	123	194	73	36	25	261	76
1/2	50	159	28	62	97	40	77	8	122	194	73	36	25	261	76
3/4	58	168	32	71	97	40	77	8	141	194	86	43	25	261	76
1	68	168	36	71	97	40	77	8	161	194	99	50	25	261	76
1 1/4	84	203	45	84	119	51	99	9	187	224	120	60	45	305	95
1 1/2	97	203	51	84	119	51	99	9	213	224	137	69	45	305	95
2	124	225	65	106	119	51	99	9	261	224	179	89	45	305	95

Inch	L7 [mm]	M	z [mm]	z1 [mm]
3/8	48	6	85	42
1/2	48	6	77	38
3/4	48	6	92	46
1	48	6	105	53
1 1/4	59	8	126	63
1 1/2	59	8	143	72
2	59	8	185	92



PVC-C ASTM/ANSI/BS

3-Way ball valve type 285 PVC-C Horizontal/T-port Without manual override With threaded sockets NPT



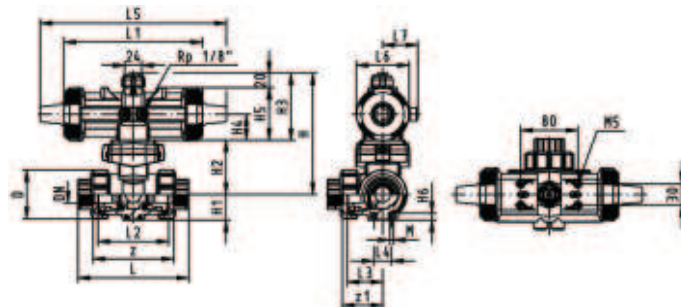
Model:

- Built on with pneumatic actuator PA11 (DN10/15-25), PA21 (DN32-50)
- Actuator fails safe to the closed position FC
- Basic position B-C opened, activated position A-B-C opened, see flow scheme
- Control time $90^\circ <$ 1-3 s
- For easy installation and removal
- Integrated stainless steel mounting inserts

NPT [inch]	DN [mm]	PN	kv-value ($\Delta p=1$ bar) [l/min]	EPDM Code	FPM Code
3/8	10	10	140	199 285 482	199 285 492
1/2	15	10	200	199 285 483	199 285 493
3/4	20	10	470	199 285 484	199 285 494
1	25	10	793	199 285 485	199 285 495
1 1/4	32	10	1290	199 285 486	199 285 496
1 1/2	40	10	1910	199 285 487	199 285 497
2	50	10	3100	199 285 488	199 285 498

NPT [inch]	D [mm]	H [mm]	H1 [mm]	H2 [mm]	H3 [mm]	H4 [mm]	H5 [mm]	H6 [mm]	L [mm]	L1 [mm]	L2 [mm]	L3 [mm]	L4 [mm]	L5 [mm]	L6 [mm]
3/8	50	159	28	62	97	40	77	8	115	194	73	36	25	261	76
1/2	50	159	28	62	97	40	77	8	114	194	73	36	25	261	76
3/4	58	168	32	71	97	40	77	8	131	194	86	43	25	261	76
1	68	168	36	71	97	40	77	8	155	194	99	50	25	261	76
1 1/4	84	203	45	84	119	51	99	9	181	224	120	60	45	305	95
1 1/2	97	203	51	84	119	51	99	9	205	224	137	69	45	305	95
2	124	225	65	106	119	51	99	9	261	224	179	89	45	305	95

NPT [inch]	L7 [mm]	M	z [mm]	z1 [mm]
3/8	48	6	87	43
1/2	48	6	81	40
3/4	48	6	96	48
1	48	6	111	56
1 1/4	59	8	134	67
1 1/2	59	8	159	80
2	59	8	213	106



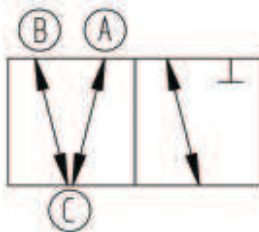
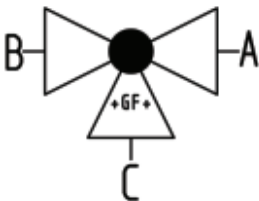
PVC-C ASTM/ANSI/BS



3-Way ball valve type 285 PVC-C Horizontal/T-port DA (Double acting) Without manual override With solvent cement sockets ASTM

Model:

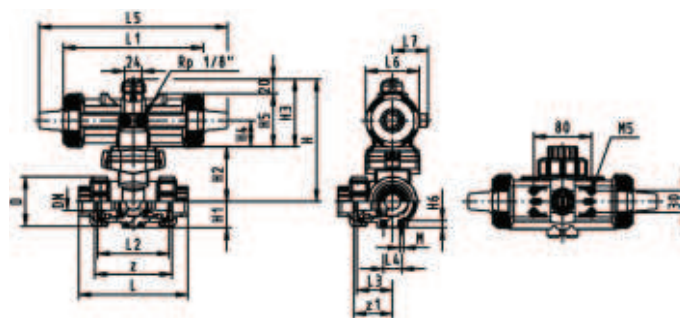
- Built on with pneumatic actuator PA11 (DN10/15-25), PA21 (DN32-50)
- Basic position A-B-C opened, activated position B-C opened, see flow scheme
- Control time 90°<) 1-3 s
- For easy installation and removal
- Integrated stainless steel mounting inserts



Inch	DN [mm]	PN	kv-value (Δp=1 bar) [l/min]	EPDM Code	FPM Code
3/8	10	10	140	199 285 982	199 285 992
1/2	15	10	200	199 285 983	199 285 993
3/4	20	10	470	199 285 984	199 285 994
1	25	10	793	199 285 985	199 285 995
1 1/4	32	10	1290	199 285 986	199 285 996
1 1/2	40	10	1910	199 285 987	199 285 997
2	50	10	3100	199 285 988	199 285 998

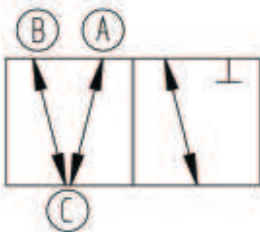
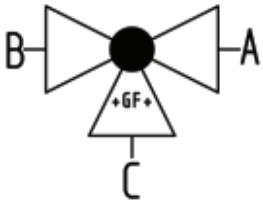
Inch	D [mm]	H [mm]	H1 [mm]	H2 [mm]	H3 [mm]	H4 [mm]	H5 [mm]	H6 [mm]	L [mm]	L1 [mm]	L2 [mm]	L3 [mm]	L4 [mm]	L5 [mm]	L6 [mm]
3/8	50	159	28	62	97	40	77	8	123	194	73	36	25	261	76
1/2	50	159	28	62	97	40	77	8	122	194	73	36	25	261	76
3/4	58	168	32	71	97	40	77	8	141	194	86	43	25	261	76
1	68	168	36	71	97	40	77	8	161	194	99	50	25	261	76
1 1/4	84	203	45	84	119	51	99	9	187	224	120	60	45	305	95
1 1/2	97	203	51	84	119	51	99	9	213	224	137	69	45	305	95
2	124	225	65	106	119	51	99	9	261	224	179	89	45	305	95

Inch	L7 [mm]	M	z [mm]	z1 [mm]
3/8	48	6	85	42
1/2	48	6	77	38
3/4	48	6	92	46
1	48	6	105	53
1 1/4	59	8	126	63
1 1/2	59	8	143	72
2	59	8	185	92



PVC-C ASTM/ANSI/BS

3-Way ball valve type 285 PVC-C Horizontal/T-port DA (Double acting) Without manual override With threaded sockets NPT



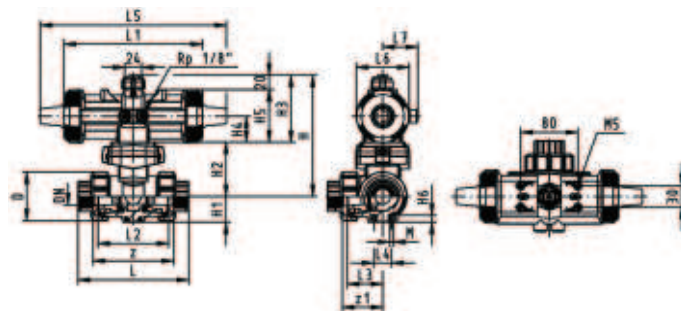
Model:

- Built on with pneumatic actuator PA11 (DN10/15-25), PA21 (DN32-50)
- Basic position A-B-C opened, activated position B-C opened, see flow scheme
- Control time 90°<) 1-3 s
- For easy installation and removal
- Integrated stainless steel mounting inserts

NPT [inch]	DN [mm]	PN	kv-value ($\Delta p=1$ bar) [l/min]	EPDM Code	FPM Code
3/8	10	10	140	199 285 962	199 285 972
1/2	15	10	200	199 285 963	199 285 973
3/4	20	10	470	199 285 964	199 285 974
1	25	10	793	199 285 965	199 285 975
1 1/4	32	10	1290	199 285 966	199 285 976
1 1/2	40	10	1910	199 285 967	199 285 977
2	50	10	3100	199 285 968	199 285 978

NPT [inch]	D [mm]	H [mm]	H1 [mm]	H2 [mm]	H3 [mm]	H4 [mm]	H5 [mm]	H6 [mm]	L [mm]	L1 [mm]	L2 [mm]	L3 [mm]	L4 [mm]	L5 [mm]	L6 [mm]
3/8	50	159	28	62	97	40	77	8	115	194	73	36	25	261	76
1/2	50	159	28	62	97	40	77	8	114	194	73	36	25	261	76
3/4	58	168	32	71	97	40	77	8	131	194	86	43	25	261	76
1	68	168	36	71	97	40	77	8	155	194	99	50	25	261	76
1 1/4	84	203	45	84	119	51	99	9	181	224	120	60	45	305	95
1 1/2	97	203	51	84	119	51	99	9	205	224	137	69	45	305	95
2	124	225	65	106	119	51	99	9	261	224	179	89	45	305	95

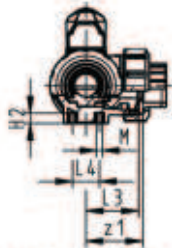
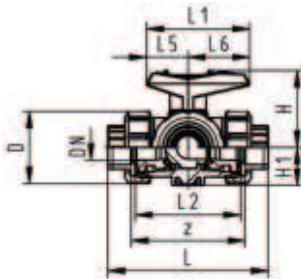
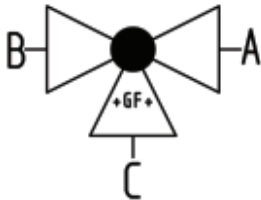
NPT [inch]	L7 [mm]	M	z [mm]	z1 [mm]
3/8	48	6	87	43
1/2	48	6	81	40
3/4	48	6	96	48
1	48	6	111	56
1 1/4	59	8	134	67
1 1/2	59	8	159	80
2	59	8	213	106



PVC-C ASTM/ANSI silicone free/paint compatible

Ball valves

3-Way ball valve type 543 PVC-C SF Horizontal/L-port With solvent cement sockets ASTM



Model:

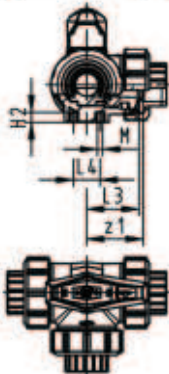
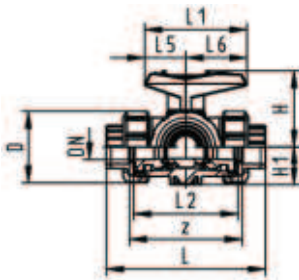
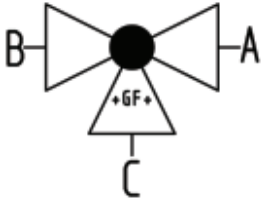
- For easy installation and removal (valve end and union nut are compatible with type 546)
- Ball seals PTFE
- Pneumatic or electric actuator available separately
- Angle of operation 360° without turn limiter
- Turn limiter 90° enclosed, in different positions usable as a clip-on ring
- Integrated stainless steel mounting inserts
- Silicone free / paint-compatible
- Delivery status A-C opened, see flow scheme

Inch	DN [mm]	PN	kv-value (Δp=1 bar) [l/min]	EPDM Code	FPM Code
3/8	10	10	50	163 543 161	163 543 171
1/2	15	10	75	163 543 162	163 543 172
3/4	20	10	150	163 543 163	163 543 173
1	25	10	280	163 543 164	163 543 174
1 1/4	32	10	480	163 543 165	163 543 175
1 1/2	40	10	620	163 543 166	163 543 176
2	50	10	1230	163 543 167	163 543 177

Inch	D [mm]	L [mm]	L1 [mm]	L2 [mm]	L3 [mm]	L4 [mm]	L5 [mm]	L6 [mm]	H [mm]	H1 [mm]	H2 [mm]	M	z [mm]	z1 [mm]
3/8	50	123	77	73	36	25	32	45	57	28	8	6	85	42
1/2	50	122	77	73	36	25	32	45	57	28	8	6	77	38
3/4	58	141	97	86	43	25	39	58	67	32	8	6	92	46
1	68	161	97	99	50	25	39	58	73	36	8	6	105	53
1 1/4	84	187	128	120	60	45	54	74	90	45	9	8	126	63
1 1/2	97	213	128	137	69	45	54	74	97	51	9	8	143	72
2	124	261	152	179	89	45	66	87	116	65	9	8	185	92

PVC-C ASTM/ANSI silicone free/paint compatible

3-Way ball valve type 543 PVC-C SF Horizontal/T-port With solvent cement sockets ASTM



Model:

- For easy installation and removal (valve end and union nut are compatible with type 546)
- Ball seals PTFE
- Pneumatic or electric actuator available separately
- Angle of operation 360° without turn limiter
- Turn limiter 90° enclosed, in different positions usable as a clip-on ring
- Integrated stainless steel mounting inserts
- Silicone free / paint-compatible
- Delivery status A-B-C opened, see flow scheme

Inch	DN [mm]	PN	kv-value ($\Delta p=1$ bar) [l/min]	EPDM Code	FPM Code
3/8	10	10	140	163 543 361	163 543 371
1/2	15	10	200	163 543 362	163 543 372
3/4	20	10	470	163 543 363	163 543 373
1	25	10	793	163 543 364	163 543 374
1 1/4	32	10	1290	163 543 365	163 543 375
1 1/2	40	10	1910	163 543 366	163 543 376
2	50	10	3100	163 543 367	163 543 377

Inch	D [mm]	L [mm]	L1 [mm]	L2 [mm]	L3 [mm]	L4 [mm]	L5 [mm]	L6 [mm]	H [mm]	H1 [mm]	H2 [mm]	M	z [mm]	z1 [mm]
3/8	50	123	77	73	36	25	32	45	57	28	8	6	85	42
1/2	50	122	77	73	36	25	32	45	57	28	8	6	77	38
3/4	58	141	97	86	43	25	39	58	67	32	8	6	92	46
1	68	161	97	99	50	25	39	58	73	36	8	6	105	53
1 1/4	84	187	128	120	60	45	54	74	90	45	9	8	126	63
1 1/2	97	213	128	137	69	45	54	74	97	51	9	8	143	72
2	124	261	152	179	89	45	66	87	116	65	9	8	185	92

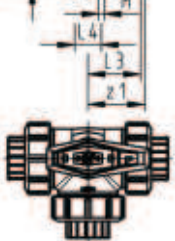
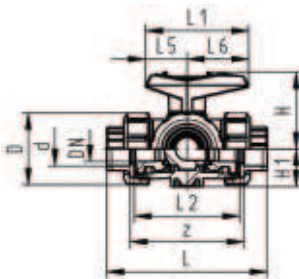
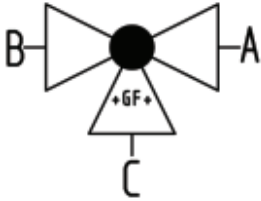
PVC-C JIS

Ball valves

ABS metric

Ball valves

3-Way ball valve type 543 ABS Horizontal/L-port With solvent cement sockets metric



Model:

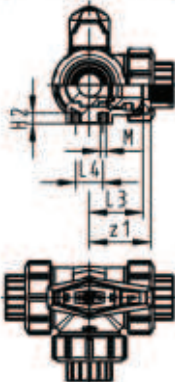
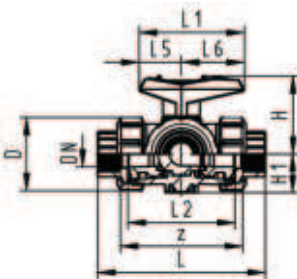
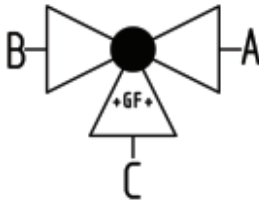
- For easy installation and removal (valve end and union nut are compatible with type 546)
- Ball seals PTFE
- Pneumatic or electric actuator available separately
- Angle of operation 360° without turn limiter
- Turn limiter 90° enclosed, in different positions usable as a clip-on ring
- Integrated stainless steel mounting inserts
- Delivery status A-C opened, see flow scheme

d [mm]	DN [mm]	PN	kv-value ($\Delta p=1$ bar) [l/min]	EPDM Code
16	10	10	50	169 543 001
20	15	10	75	169 543 002
25	20	10	150	169 543 003
32	25	10	280	169 543 004
40	32	10	480	169 543 005
50	40	10	620	169 543 006
63	50	10	1230	169 543 007

d [mm]	D [mm]	L [mm]	L1 [mm]	L2 [mm]	L3 [mm]	L4 [mm]	L5 [mm]	L6 [mm]	H [mm]	H1 [mm]	H2 [mm]	M	z [mm]	z1 [mm]	closest inch
16	50	109	77	73	36	25	32	45	57	28	8	6	81	40	3/8
20	50	112	77	73	36	25	32	45	57	28	8	6	81	40	1/2
25	58	131	97	86	43	25	39	58	67	32	8	6	94	47	3/4
32	68	151	97	99	50	25	39	58	73	36	8	6	107	54	1
40	84	181	128	120	60	45	54	74	90	45	9	8	130	65	1 1/4
50	97	205	128	137	69	45	54	74	97	51	9	8	143	72	1 1/2
63	124	261	152	179	89	45	66	87	116	65	9	8	185	92	2

ABS metric

3-Way ball valve type 543 ABS Horizontal/L-port With threaded sockets Rp



Model:

- For easy installation and removal (valve end and union nut are compatible with type 546)
- Ball seals PTFE
- Pneumatic or electric actuator available separately
- Angle of operation 360° without turn limiter
- Turn limiter 90° enclosed, in different positions usable as a clip-on ring
- Integrated stainless steel mounting inserts
- Delivery status A-C opened, see flow scheme

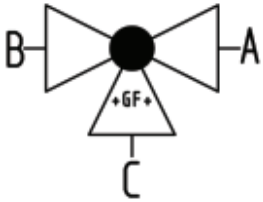
Rp [inch]	DN [mm]	PN	kv-value ($\Delta p=1$ bar) [l/min]	EPDM Code
3/8	10	10	50	169 543 041
1/2	15	10	75	169 543 042
3/4	20	10	150	169 543 043
1	25	10	280	169 543 044
1 1/4	32	10	480	169 543 045
1 1/2	40	10	620	169 543 046
2	50	10	1230	169 543 047

Rp [inch]	D [mm]	L [mm]	L1 [mm]	L2 [mm]	L3 [mm]	L4 [mm]	L5 [mm]	L6 [mm]	H [mm]	H1 [mm]	H2 [mm]	M	z [mm]	z1 [mm]
3/8	50	113	77	73	36	25	32	45	57	28	8	6	87	43
1/2	50	117	77	73	36	25	32	45	57	28	8	6	85	42
3/4	58	135	97	86	43	25	39	58	67	32	8	6	100	50
1	68	155	97	99	50	25	39	58	73	36	8	6	113	57
1 1/4	84	179	128	120	60	45	54	74	90	45	9	8	134	67
1 1/2	97	201	128	137	69	45	54	74	97	51	9	8	155	78
2	124	255	152	179	89	45	66	87	116	65	9	8	199	99

ABS metric

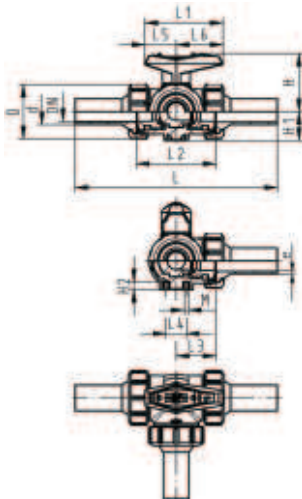


3-Way ball valve type 543 ABS Horizontal/L-port With butt fusion spigots long PE100 SDR11 metric



Model:

- For easy installation and removal (valve end and union nut are compatible with type 546)
- Ball seals PTFE
- Pneumatic or electric actuator available separately
- Angle of operation 360° without turn limiter
- Turn limiter 90° enclosed, in different positions usable as a clip-on ring
- Integrated stainless steel mounting inserts
- Delivery status A-C opened, see flow scheme

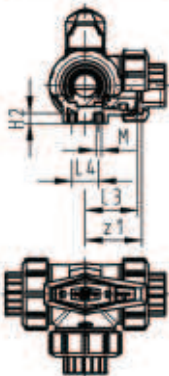
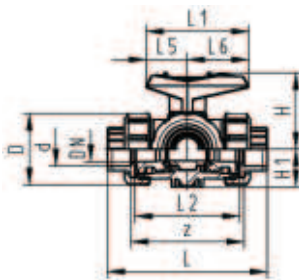
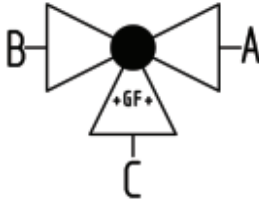


d [mm]	DN [mm]	PN	kv-value ($\Delta p=1$ bar) [l/min]	EPDM Code
20	15	10	75	169 543 302
25	20	10	150	169 543 303
32	25	10	280	169 543 304
40	32	10	480	169 543 305
50	40	10	620	169 543 306
63	50	10	1230	169 543 307

d [mm]	D [mm]	L [mm]	L1 [mm]	L2 [mm]	L3 [mm]	L4 [mm]	L5 [mm]	L6 [mm]	H [mm]	H1 [mm]	H2 [mm]	M	e [mm]	closest inch
20	50	210	77	73	36	25	32	45	57	28	8	6	2.3	1/2
25	58	237	97	86	43	25	39	58	67	32	8	6	2.3	3/4
32	68	251	97	99	50	25	39	58	73	36	8	6	3.0	1
40	84	283	128	120	60	45	54	74	90	45	9	8	3.7	1 1/4
50	97	319	128	137	69	45	54	74	97	51	9	8	4.6	1 1/2
63	124	399	152	179	89	45	66	87	116	65	9	8	5.8	2

ABS metric

3-Way ball valve type 543 ABS Horizontal/T-port With solvent cement sockets metric



Model:

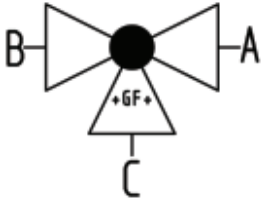
- For easy installation and removal (valve end and union nut are compatible with type 546)
- Ball seals PTFE
- Pneumatic or electric actuator available separately
- Angle of operation 360° without turn limiter
- Turn limiter 90° enclosed, in different positions usable as a clip-on ring
- Integrated stainless steel mounting inserts
- Delivery status A-B-C opened, see flow scheme

d [mm]	DN [mm]	PN	kv-value (Δp=1 bar) [l/min]	EPDM Code
16	10	10	140	169 543 201
20	15	10	200	169 543 202
25	20	10	470	169 543 203
32	25	10	793	169 543 204
40	32	10	1290	169 543 205
50	40	10	1910	169 543 206
63	50	10	3100	169 543 207

d [mm]	D [mm]	L [mm]	L1 [mm]	L2 [mm]	L3 [mm]	L4 [mm]	L5 [mm]	L6 [mm]	H [mm]	H1 [mm]	H2 [mm]	M	z [mm]	z1 [mm]	closest inch
16	50	109	77	73	36	25	32	45	57	28	8	6	81	40	3/8
20	50	112	77	73	36	25	32	45	57	28	8	6	81	40	1/2
25	58	131	97	86	43	25	39	58	67	32	8	6	94	47	3/4
32	68	151	97	99	50	25	39	58	73	36	8	6	107	54	1
40	84	181	128	120	60	45	54	74	90	45	9	8	130	65	1 1/4
50	97	205	128	137	69	45	54	74	97	51	9	8	143	72	1 1/2
63	124	261	152	179	89	45	66	87	116	65	9	8	185	92	2

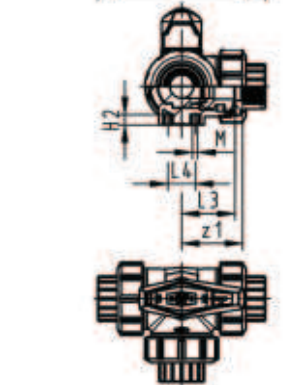
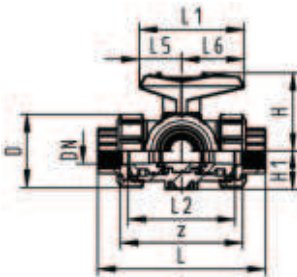
ABS metric

3-Way ball valve type 543 ABS Horizontal/T-port With threaded sockets Rp



Model:

- For easy installation and removal (valve end and union nut are compatible with type 546)
- Ball seals PTFE
- Pneumatic or electric actuator available separately
- Angle of operation 360° without turn limiter
- Turn limiter 90° enclosed, in different positions usable as a clip-on ring
- Integrated stainless steel mounting inserts
- Delivery status A-B-C opened, see flow scheme



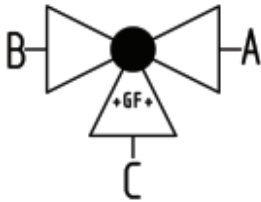
Rp [inch]	DN [mm]	PN	kv-value ($\Delta p=1$ bar) [l/min]	EPDM Code
3/8	10	10	140	169 543 241
1/2	15	10	200	169 543 242
3/4	20	10	470	169 543 243
1	25	10	793	169 543 244
1 1/4	32	10	1290	169 543 245
1 1/2	40	10	1910	169 543 246
2	50	10	3100	169 543 247

Rp [inch]	D [mm]	L [mm]	L1 [mm]	L2 [mm]	L3 [mm]	L4 [mm]	L5 [mm]	L6 [mm]	H [mm]	H1 [mm]	H2 [mm]	M	z [mm]	z1 [mm]
3/8	50	113	77	73	36	25	32	45	57	28	8	6	87	43
1/2	50	117	77	73	36	25	32	45	57	28	8	6	85	42
3/4	58	135	97	86	43	25	39	58	67	32	8	6	100	50
1	68	155	97	99	50	25	39	58	73	36	8	6	113	57
1 1/4	84	179	128	120	60	45	54	74	90	45	9	8	134	67
1 1/2	97	201	128	137	69	45	54	74	97	51	9	8	155	78
2	124	255	152	179	89	45	66	87	116	65	9	8	199	99

ABS metric

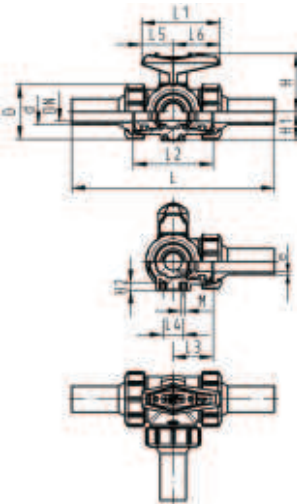


3-Way ball valve type 543 ABS
Horizontal/T-port
With butt fusion spigots long
PE100 SDR11 metric



Model:

- For easy installation and removal (valve end and union nut are compatible with type 546)
- Ball seals PTFE
- Pneumatic or electric actuator available separately
- Angle of operation 360° without turn limiter
- Turn limiter 90° enclosed, in different positions usable as a clip-on ring
- Integrated stainless steel mounting inserts
- Delivery status A-B-C opened, see flow scheme



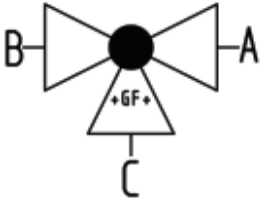
d [mm]	DN [mm]	PN	kv-value (Δp=1 bar) [l/min]	EPDM Code										
20	15	10	200	169 543 322										
25	20	10	470	169 543 323										
32	25	10	793	169 543 324										
40	32	10	1290	169 543 325										
50	40	10	1910	169 543 326										
63	50	10	3100	169 543 327										

d [mm]	D [mm]	L [mm]	L1 [mm]	L2 [mm]	L3 [mm]	L4 [mm]	L5 [mm]	L6 [mm]	H [mm]	H1 [mm]	H2 [mm]	M	e [mm]	closest inch
20	50	210	77	73	36	25	32	45	57	28	8	6	2.3	1/2
25	58	237	97	86	43	25	39	58	67	32	8	6	2.3	3/4
32	68	251	97	99	50	25	39	58	73	36	8	6	3.0	1
40	84	283	128	120	60	45	54	74	90	45	9	8	3.7	1 1/4
50	97	319	128	137	69	45	54	74	97	51	9	8	4.6	1 1/2
63	124	399	152	179	89	45	66	87	116	65	9	8	5.8	2

ABS metric

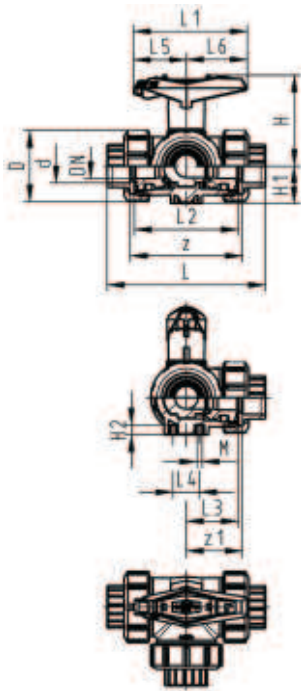


3-Way ball valve type 543 ABS Horizontal/L-port With lockable handle With solvent cement sockets metric



Model:

- For easy installation and removal (valve end and union nut are compatible with type 546)
- Ball seals PTFE
- Pneumatic or electric actuator available separately
- Angle of operation 360° without turn limiter
- Turn limiter 90° enclosed, in different positions usable as a clip-on ring
- Integrated stainless steel mounting inserts
- Multifunctional lever red with ratched setting 45°, lockable
- Delivery status A-C opened, see flow scheme



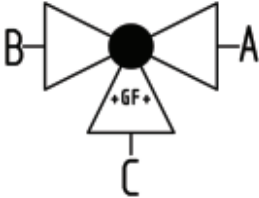
d [mm]	DN [mm]	PN	kv-value (Δp=1 bar) [l/min]	EPDM Code
16	10	10	50	169 543 801
20	15	10	75	169 543 802
25	20	10	150	169 543 803
32	25	10	280	169 543 804
40	32	10	480	169 543 805
50	40	10	620	169 543 806
63	50	10	1230	169 543 807

d [mm]	D [mm]	L [mm]	L1 [mm]	L2 [mm]	L3 [mm]	L4 [mm]	L5 [mm]	L6 [mm]	H [mm]	H1 [mm]	H2 [mm]	M	z [mm]	z1 [mm]	closest inch
16	50	109	87	73	36	25	42	45	79	28	8	6	81	40	3/8
20	50	112	87	73	36	25	42	45	79	28	8	6	81	40	1/2
25	58	131	108	86	43	25	50	58	88	32	8	6	94	47	3/4
32	68	151	108	99	50	25	50	58	94	36	8	6	107	54	1
40	84	181	141	120	60	45	66	75	113	45	9	8	130	65	1 1/4
50	97	205	141	137	69	45	66	75	119	51	9	8	143	72	1 1/2
63	124	261	165	179	89	45	78	87	141	65	9	8	185	92	2

ABS metric

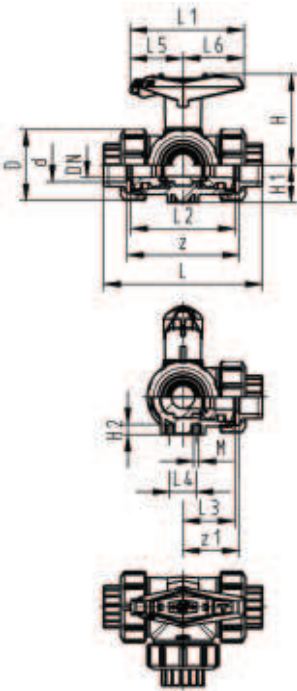


3-Way ball valve type 543 ABS Horizontal/T-port With lockable handle With solvent cement sockets metric



Model:

- For easy installation and removal (valve end and union nut are compatible with type 546)
- Ball seals PTFE
- Pneumatic or electric actuator available separately
- Angle of operation 360° without turn limiter
- Turn limiter 90° enclosed, in different positions usable as a clip-on ring
- Integrated stainless steel mounting inserts
- Multifunctional lever red with ratched setting 45°, lockable
- Delivery status A-B-C opened, see flow scheme

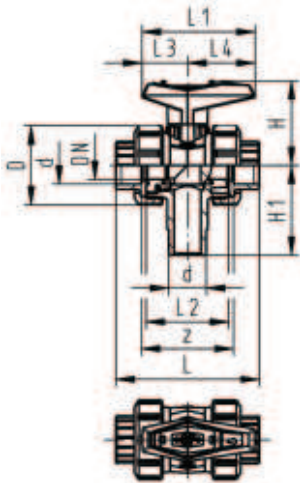
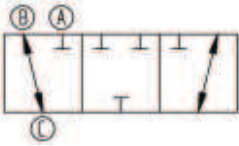
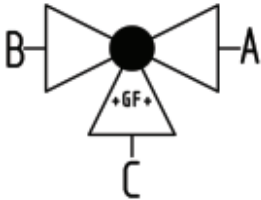


d [mm]	DN [mm]	PN	kv-value ($\Delta p=1$ bar) [l/min]	EPDM Code
16	10	10	140	169 543 811
20	15	10	200	169 543 812
25	20	10	470	169 543 813
32	25	10	793	169 543 814
40	32	10	1290	169 543 815
50	40	10	1910	169 543 816
63	50	10	3100	169 543 817

d [mm]	D [mm]	L [mm]	L1 [mm]	L2 [mm]	L3 [mm]	L4 [mm]	L5 [mm]	L6 [mm]	H [mm]	H1 [mm]	H2 [mm]	M	z [mm]	z1 [mm]	closest inch
16	50	109	87	73	36	25	42	45	79	28	8	6	81	40	3/8
20	50	112	87	73	36	25	42	45	79	28	8	6	81	40	1/2
25	58	131	108	86	43	25	50	58	88	32	8	6	94	47	3/4
32	68	151	108	99	50	25	50	58	94	36	8	6	107	54	1
40	84	181	141	120	60	45	66	75	113	45	9	8	130	65	1 1/4
50	97	205	141	137	69	45	66	75	119	51	9	8	143	72	1 1/2
63	124	261	165	179	89	45	78	87	141	65	9	8	185	92	2

ABS metric

3-Way ball valve type 543 ABS Vertical/L-port With solvent cement sockets metric



Model:

- Vertical inlet solvent cement spigot metric
- Easy installation and removal using union on third outlet
- Ball seals PTFE
- Electric actuator available separately
- Angle of operation 360° without turn limiter
- Delivery status B-C opened, see flow scheme

Mode of action:

- For interconnection of two inputs

d [mm]	DN [mm]	PN	kv-value ($\Delta p=1$ bar) [l/min]	EPDM Code
16	10	10	49	169 543 401
20	15	10	77	169 543 402
25	20	10	146	169 543 403
32	25	10	260	169 543 404
40	32	10	437	169 543 405
50	40	10	667	169 543 406
63	50	10	1293	169 543 407

d [mm]	D [mm]	L [mm]	L1 [mm]	L2 [mm]	L3 [mm]	L4 [mm]	H [mm]	H1 [mm]	z [mm]	closest inch
16	50	92	77	56	32	45	57	62	64	$\frac{3}{8}$
20	50	95	77	56	32	45	57	62	64	$\frac{1}{2}$
25	58	111	97	66	39	58	67	72	74	$\frac{3}{4}$
32	68	123	97	71	39	58	73	77	79	1
40	84	146	128	85	54	74	90	87	95	$1 \frac{1}{4}$
50	97	157	128	89	54	74	97	97	95	$1 \frac{1}{2}$
63	124	183	152	101	66	87	116	112	107	2

ABS metric



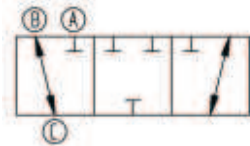
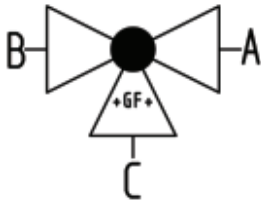
3-Way ball valve type 543 ABS Vertical/L-port With threaded sockets Rp

Model:

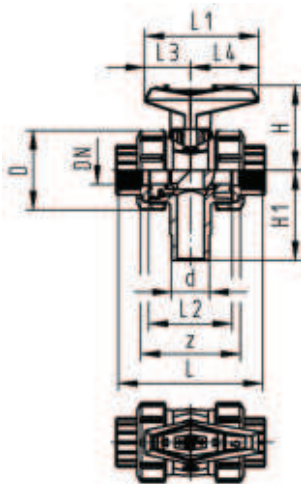
- Vertical inlet solvent cement spigot metric
- Easy installation and removal using union on third outlet
- Ball seals PTFE
- Electric actuator available separately
- Angle of operation 360° without turn limiter
- Delivery status B-C opened, see flow scheme

Mode of action:

- For interconnection of two inputs



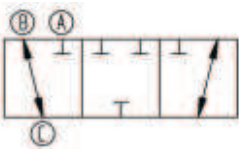
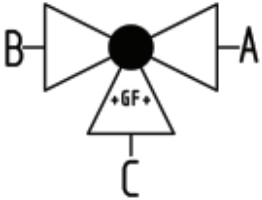
Rp [inch]	DN [mm]	PN	kv-value ($\Delta p=1$ bar) [l/min]	EPDM Code
3/8	10	10	49	169 543 421
1/2	15	10	77	169 543 422
3/4	20	10	146	169 543 423
1	25	10	260	169 543 424
1 1/4	32	10	437	169 543 425
1 1/2	40	10	667	169 543 426
2	50	10	1293	169 543 427



Rp [inch]	D [mm]	L [mm]	L1 [mm]	L2 [mm]	L3 [mm]	L4 [mm]	H [mm]	H1 [mm]	z [mm]
3/8	50	96	77	56	32	45	57	62	69
1/2	50	99	77	56	32	45	57	62	67
3/4	58	115	97	66	39	58	67	72	78
1	68	127	97	71	39	58	73	77	85
1 1/4	84	144	128	85	54	74	90	87	100
1 1/2	97	153	128	89	54	74	97	97	106
2	124	177	152	101	66	87	116	112	121

ABS metric

3-Way ball valve type 543 ABS Vertical/L-port With lockable handle With solvent cement sockets metric



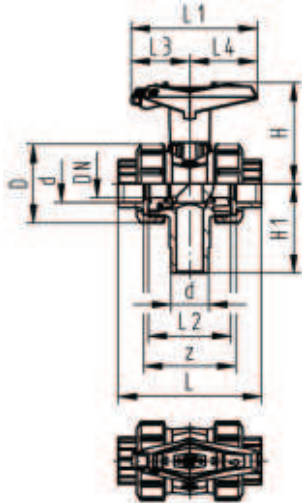
Model:

- Vertical inlet solvent cement spigot metric
- Easy installation and removal using union on third outlet
- Ball seals PTFE
- Electric actuator available separately
- Angle of operation 360° without turn limiter
- Multifunctional lever red with ratched setting 45°, lockable
- Delivery status B-C opened, see flow scheme

Mode of action:

- For interconnection of two inputs

d [mm]	DN [mm]	PN	kv-value (Δp=1 bar) [l/min]	EPDM Code
16	10	10	49	169 543 821
20	15	10	77	169 543 822
25	20	10	146	169 543 823
32	25	10	260	169 543 824
40	32	10	437	169 543 825
50	40	10	667	169 543 826
63	50	10	1293	169 543 827



d [mm]	D [mm]	L [mm]	L1 [mm]	L2 [mm]	L3 [mm]	L4 [mm]	H [mm]	H1 [mm]	z [mm]	closest inch
16	50	92	87	56	42	45	79	62	64	3/8
20	50	95	87	56	42	45	79	62	64	1/2
25	58	111	108	66	50	58	88	72	74	3/4
32	68	123	108	71	50	58	94	77	79	1
40	84	146	140	85	66	74	113	87	95	1 1/4
50	97	157	140	89	66	74	119	97	95	1 1/2
63	124	183	165	101	78	87	141	112	107	2

ABS metric

Ball valves electric

3-Way ball valve type 185 ABS

Horizontal/L-port 100-230V

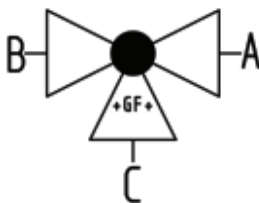
With manual emergency override

With solvent cement sockets metric



Model:

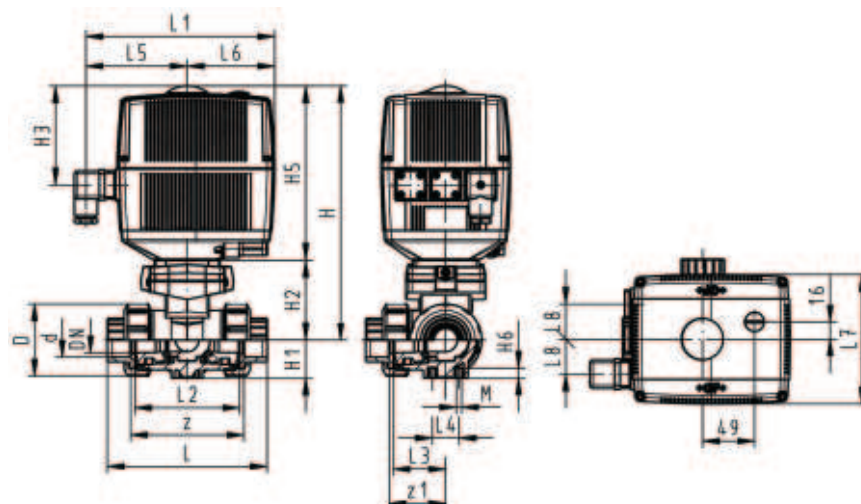
- Built on with electric actuator EA21
- Voltage 100-230 V, 50-60 Hz
- Control range 90°<
- Basic position A-C opened, activated position B-C opened, see flow scheme
- Other positions possible by adjusting the limit switches
- Control time 5 s/90°<
- For easy installation and removal
- Integrated stainless steel mounting inserts



d [mm]	DN [mm]	PN	kv-value (Δp=1 bar) [l/min]	EPDM Code
16	10	10	50	199 185 162
20	15	10	75	199 185 163
25	20	10	150	199 185 164
32	25	10	280	199 185 165
40	32	10	480	199 185 166
50	40	10	620	199 185 167
63	50	10	1230	199 185 168

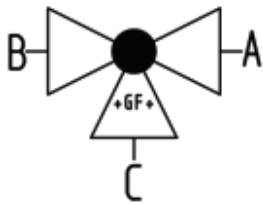
d [mm]	D [mm]	H [mm]	H1 [mm]	H2 [mm]	H3 [mm]	H5 [mm]	H6 [mm]	L [mm]	L1 [mm]	L2 [mm]	L3 [mm]	L4 [mm]	L5 [mm]	L6 [mm]	L7 [mm]
16	50	231	28	64	94	167	8	109	180	73	36	25	97	83	122
20	50	231	28	64	94	167	8	112	180	73	36	25	97	83	122
25	58	240	32	73	94	167	8	131	180	86	43	25	97	83	122
32	68	240	36	73	94	167	8	151	180	99	50	25	97	83	122
40	84	251	45	84	94	167	9	181	180	120	60	45	97	83	122
50	97	251	51	84	94	167	9	205	180	137	69	45	97	83	122
63	124	273	65	106	94	167	9	261	180	179	89	45	97	83	122

d [mm]	L8 [mm]	M	z [mm]	z1 [mm]	closest inch
16	33	6	81	40	3/8
20	33	6	81	40	1/2
25	33	6	94	47	3/4
32	33	6	107	54	1
40	33	8	130	65	1 1/4
50	33	8	143	72	1 1/2
63	33	8	185	92	2



ABS metric

3-Way ball valve type 185 ABS Horizontal/L-port 24V With manual emergency override With solvent cement sockets metric



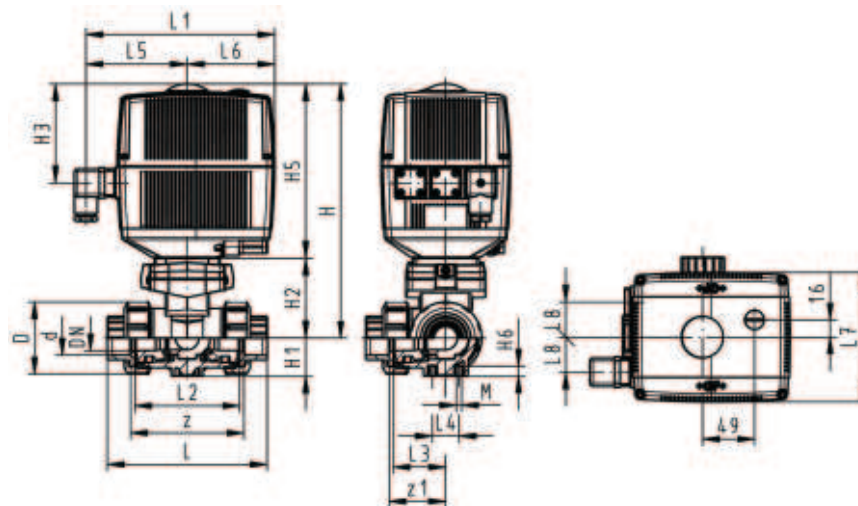
Model:

- Built on with electric actuator EA21
- Voltage 24 V AC/DC
- Control range 90°<
- Basic position A-C opened, activated position B-C opened, see flow scheme
- Other positions possible by adjusting the limit switches
- Control time 5 s/90°<
- For easy installation and removal
- Integrated stainless steel mounting inserts

d [mm]	DN [mm]	PN	kv-value (Δp=1 bar) [l/min]	EPDM Code
16	10	10	50	199 185 342
20	15	10	75	199 185 343
25	20	10	150	199 185 344
32	25	10	280	199 185 345
40	32	10	480	199 185 346
50	40	10	620	199 185 347
63	50	10	1230	199 185 348

d [mm]	D [mm]	H [mm]	H1 [mm]	H2 [mm]	H3 [mm]	H5 [mm]	H6 [mm]	L [mm]	L1 [mm]	L2 [mm]	L3 [mm]	L4 [mm]	L5 [mm]	L6 [mm]	L7 [mm]
16	50	231	28	64	94	167	8	109	180	73	36	25	97	83	122
20	50	231	28	64	94	167	8	112	180	73	36	25	97	83	122
25	58	240	32	73	94	167	8	131	180	86	43	25	97	83	122
32	68	240	36	73	94	167	8	151	180	99	50	25	97	83	122
40	84	251	45	84	94	167	9	181	180	120	60	45	97	83	122
50	97	251	51	84	94	167	9	205	180	137	69	45	97	83	122
63	124	273	65	106	94	167	9	261	180	179	89	45	97	83	122

d [mm]	L8 [mm]	M	z [mm]	z1 [mm]	closest inch
16	33	6	81	40	3/8
20	33	6	81	40	1/2
25	33	6	94	47	3/4
32	33	6	107	54	1
40	33	8	130	65	1 1/4
50	33	8	143	72	1 1/2
63	33	8	185	92	2



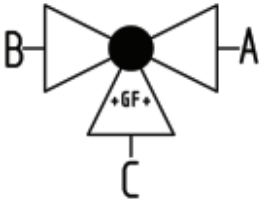
ABS metric



3-Way ball valve type 185 ABS
Horizontal/T-port 100-230V
With manual emergency override
With solvent cement sockets metric

Model:

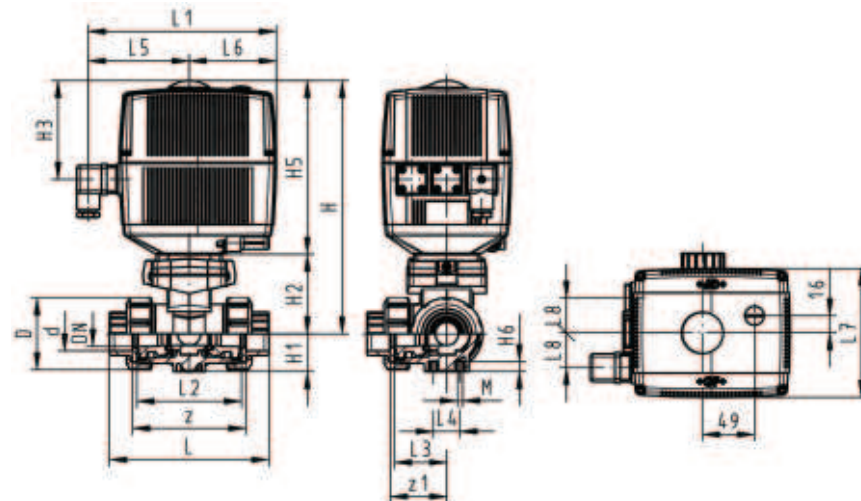
- Built on with electric actuator EA21
- Voltage 100-230 V, 50-60 Hz
- Control range 90°<
- Basic position A-B opened, activated position B-C opened, see flow scheme
- Other positions possible by adjusting the limit switches
- Control time 5 s/90°<
- For easy installation and removal
- Integrated stainless steel mounting inserts



d [mm]	DN [mm]	PN	kv-value (Δp=1 bar) [l/min]	EPDM Code
16	10	10	140	199 185 172
20	15	10	200	199 185 173
25	20	10	470	199 185 174
32	25	10	793	199 185 175
40	32	10	1290	199 185 176
50	40	10	1910	199 185 177
63	50	10	3100	199 185 178

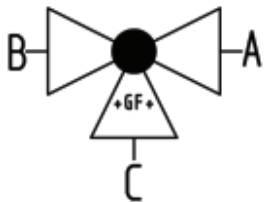
d [mm]	D [mm]	H [mm]	H1 [mm]	H2 [mm]	H3 [mm]	H5 [mm]	H6 [mm]	L [mm]	L1 [mm]	L2 [mm]	L3 [mm]	L4 [mm]	L5 [mm]	L6 [mm]	L7 [mm]
16	50	231	28	64	94	167	8	109	180	73	36	25	97	83	122
20	50	231	28	64	94	167	8	112	180	73	36	25	97	83	122
25	58	240	32	73	94	167	8	131	180	86	43	25	97	83	122
32	68	240	36	73	94	167	8	151	180	99	50	25	97	83	122
40	84	251	45	84	94	167	9	181	180	120	60	45	97	83	122
50	97	251	51	84	94	167	9	205	180	137	69	45	97	83	122
63	124	273	65	106	94	167	9	261	180	179	89	45	97	83	122

d [mm]	L8 [mm]	M [mm]	z [mm]	z1 [mm]	closest inch
16	33	6	81	40	3/8
20	33	6	81	40	1/2
25	33	6	94	47	3/4
32	33	6	107	54	1
40	33	8	130	65	1 1/4
50	33	8	143	72	1 1/2
63	33	8	185	92	2



ABS metric

3-Way ball valve type 185 ABS Horizontal/T-port 24V With manual emergency override With solvent cement sockets metric



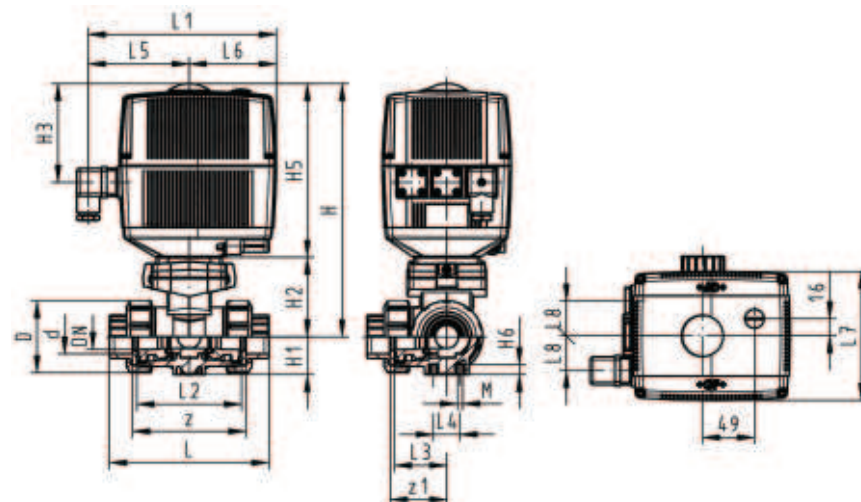
Model:

- Built on with electric actuator EA21
- Voltage 24 V AC/DC
- Control range 90°<
- Basic position A-B-C opened, activated position B-C opened, see flow scheme
- Other positions possible by adjusting the limit switches
- Control time 5 s/90°<
- For easy installation and removal
- Integrated stainless steel mounting inserts

d [mm]	DN [mm]	PN	kv-value (Δp=1 bar) [l/min]	EPDM Code
16	10	10	140	199 185 352
20	15	10	200	199 185 353
25	20	10	470	199 185 354
32	25	10	793	199 185 355
40	32	10	1290	199 185 356
50	40	10	1910	199 185 357
63	50	10	3100	199 185 358

d [mm]	D [mm]	H [mm]	H1 [mm]	H2 [mm]	H3 [mm]	H5 [mm]	H6 [mm]	L [mm]	L1 [mm]	L2 [mm]	L3 [mm]	L4 [mm]	L5 [mm]	L6 [mm]	L7 [mm]
16	50	231	28	64	94	167	8	109	180	73	36	25	97	83	122
20	50	231	28	64	94	167	8	112	180	73	36	25	97	83	122
25	58	240	32	73	94	167	8	131	180	86	43	25	97	83	122
32	68	240	36	73	94	167	8	151	180	99	50	25	97	83	122
40	84	251	45	84	94	167	9	181	180	120	60	45	97	83	122
50	97	251	51	84	94	167	9	205	180	137	69	45	97	83	122
63	124	273	65	106	94	167	9	261	180	179	89	45	97	83	122

d [mm]	L8 [mm]	M	z [mm]	z1 [mm]	closest inch
16	33	6	81	40	3/8
20	33	6	81	40	1/2
25	33	6	94	47	3/4
32	33	6	107	54	1
40	33	8	130	65	1 1/4
50	33	8	143	72	1 1/2
63	33	8	185	92	2



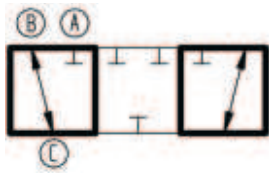
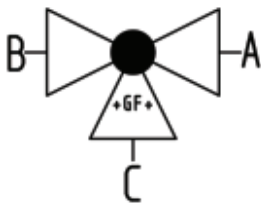
ABS metric

3-Way ball valve type 188 ABS
Vertical/L-port 100-230V
With manual emergency override
With solvent cement sockets metric



Model:

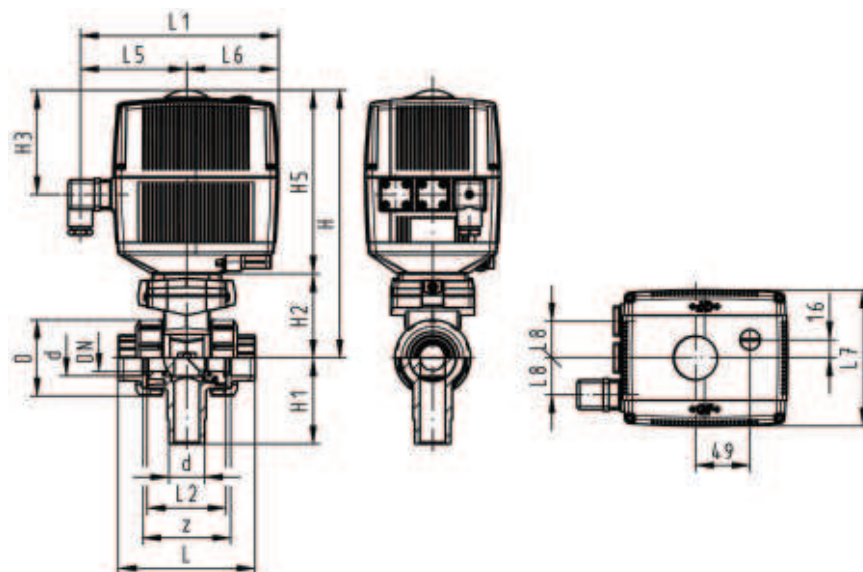
- Vertical inlet solvent cement spigot metric
- Built on with electric actuator EA21
- Voltage 100-230 V, 50-60 Hz
- Control range 180°<
- Basic position B-C opened, activated position A-C opened, see flow scheme
- Control time 10 s/180°<
- Easy installation and removal using union on third outlet



d [mm]	DN [mm]	PN	kv-value (Δp=1 bar) [l/min]	EPDM Code
16	10	10	49	199 188 162
20	15	10	77	199 188 163
25	20	10	146	199 188 164
32	25	10	260	199 188 165
40	32	10	437	199 188 166
50	40	10	667	199 188 167
63	50	10	1293	199 188 168

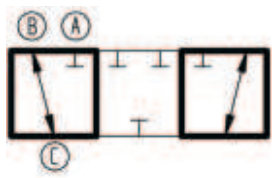
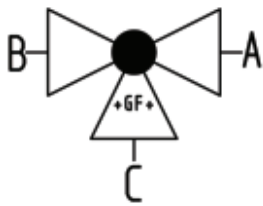
d [mm]	D [mm]	H [mm]	H1 [mm]	H2 [mm]	H3 [mm]	H5 [mm]	L [mm]	L1 [mm]	L2 [mm]	L5 [mm]	L6 [mm]	L7 [mm]	L8 [mm]	z [mm]
16	50	231	62	64	94	167	92	180	56	97	83	122	33	64
20	50	231	62	64	94	167	95	180	56	97	83	122	33	64
25	58	240	72	73	94	167	111	180	66	97	83	122	33	74
32	68	240	77	73	94	167	123	180	71	97	83	122	33	79
40	84	251	87	84	94	167	146	180	85	97	83	122	33	95
50	97	251	97	84	94	167	157	180	89	97	83	122	33	95
63	124	273	112	106	94	167	183	180	101	97	83	122	33	107

d [mm]	closest inch
16	3/8
20	1/2
25	3/4
32	1
40	1 1/4
50	1 1/2
63	2



ABS metric

3-Way ball valve type 188 ABS Vertical/L-port 24V With manual emergency override With solvent cement sockets metric



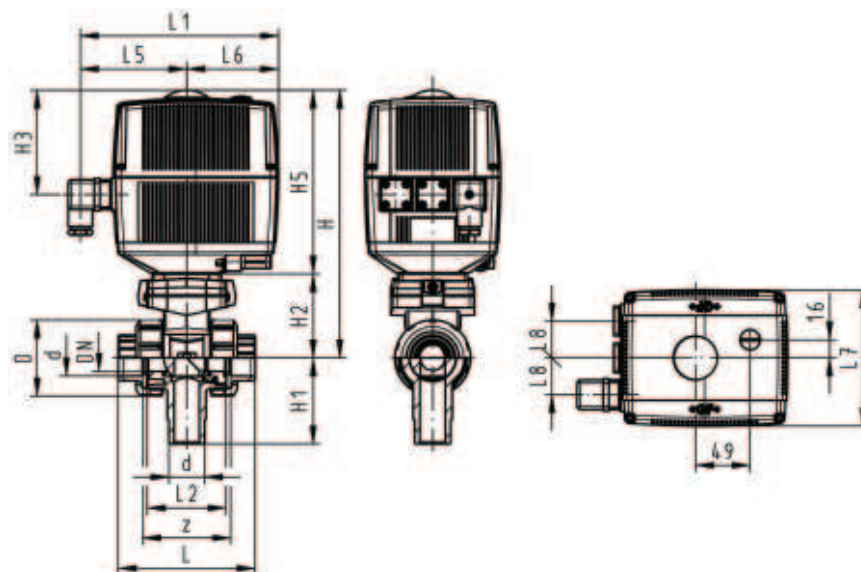
Model:

- Vertical inlet solvent cement spigot metric
- Built on with electric actuator EA21
- Voltage 24 V AC/DC
- Control range 180°<
- Basic position B-C opened, activated position A-C opened, see flow scheme
- Control time 10 s/180°<
- Easy installation and removal using union on third outlet

d [mm]	DN [mm]	PN	kv-value (Δp=1 bar) [l/min]	EPDM Code
16	10	10	49	199 188 452
20	15	10	77	199 188 453
25	20	10	146	199 188 454
32	25	10	260	199 188 455
40	32	10	437	199 188 456
50	40	10	667	199 188 457
63	50	10	1293	199 188 458

d [mm]	D [mm]	H [mm]	H1 [mm]	H2 [mm]	H3 [mm]	H5 [mm]	L [mm]	L1 [mm]	L2 [mm]	L5 [mm]	L6 [mm]	L7 [mm]	L8 [mm]	z [mm]
16	50	231	62	64	94	167	92	180	56	97	83	122	33	64
20	50	231	62	64	94	167	95	180	56	97	83	122	33	64
25	58	240	72	73	94	167	111	180	66	97	83	122	33	74
32	68	240	77	73	94	167	123	180	71	97	83	122	33	79
40	84	251	87	84	94	167	146	180	85	97	83	122	33	95
50	97	251	97	84	94	167	157	180	89	97	83	122	33	95
63	124	273	112	106	94	167	183	180	101	97	83	122	33	107

d [mm]	closest inch
16	3/8
20	1/2
25	3/4
32	1
40	1 1/4
50	1 1/2
63	2



ABS metric

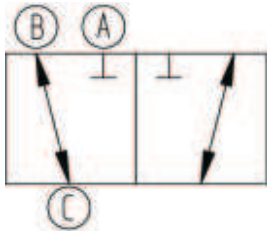
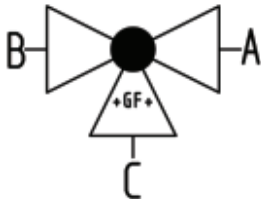
Ball valves pneumatic

3-Way ball valve type 285 ABS

Horizontal/L-port

Without manual override

With solvent cement sockets metric



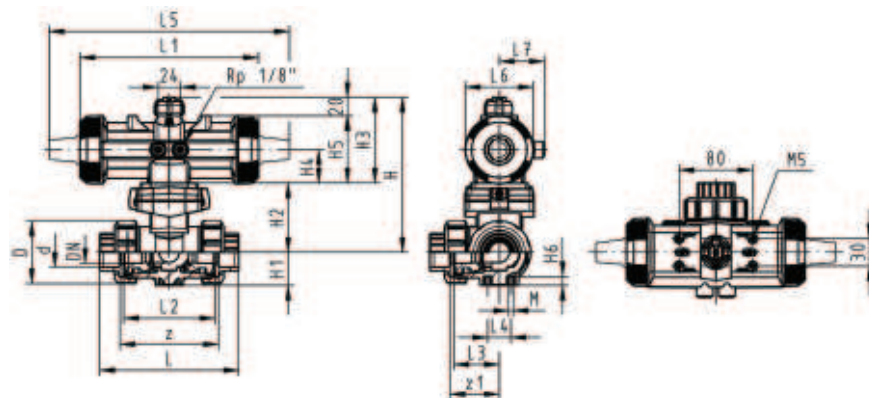
Model:

- Built on with pneumatic actuator PA11 (DN10/15-25), PA21 (DN32-50)
- Actuator fails safe to the closed position FC
- Basic position B-C opened, activated position A-C opened, see flow scheme
- Control time $90^\circ <$ 1-3 s
- For easy installation and removal
- Integrated stainless steel mounting inserts

d [mm]	DN [mm]	PN	kv-value ($\Delta p=1$ bar) [l/min]	EPDM Code
16	10	10	50	199 285 162
20	15	10	75	199 285 163
25	20	10	150	199 285 164
32	25	10	280	199 285 165
40	32	10	480	199 285 166
50	40	10	620	199 285 167
63	50	10	1230	199 285 168

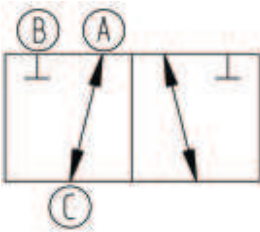
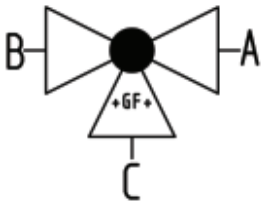
d [mm]	D [mm]	H [mm]	H1 [mm]	H2 [mm]	H3 [mm]	H4 [mm]	H5 [mm]	H6 [mm]	L [mm]	L1 [mm]	L2 [mm]	L3 [mm]	L4 [mm]	L5 [mm]	L6 [mm]
16	50	159	28	62	97	40	77	8	109	194	73	36	25	261	76
20	50	159	28	62	97	40	77	8	112	194	73	36	25	261	76
25	58	168	32	71	97	40	77	8	131	194	86	43	25	261	76
32	68	168	36	71	97	40	77	8	151	194	99	50	25	261	76
40	84	203	45	84	119	51	99	9	181	224	120	60	45	305	95
50	97	203	51	84	119	51	99	9	205	224	137	69	45	305	95
63	124	225	65	106	119	51	99	9	261	224	179	89	45	305	95

d [mm]	L7 [mm]	M	z [mm]	z1 [mm]	closest inch
16	48	6	81	40	$\frac{3}{8}$
20	48	6	81	40	$\frac{1}{2}$
25	48	6	94	47	$\frac{3}{4}$
32	48	6	107	54	1
40	59	8	130	65	$1 \frac{1}{4}$
50	59	8	143	72	$1 \frac{1}{2}$
63	59	8	185	92	2



ABS metric

3-Way ball valve type 285 ABS Horizontal/L-port DA (Double acting) Without manual override With solvent cement sockets metric



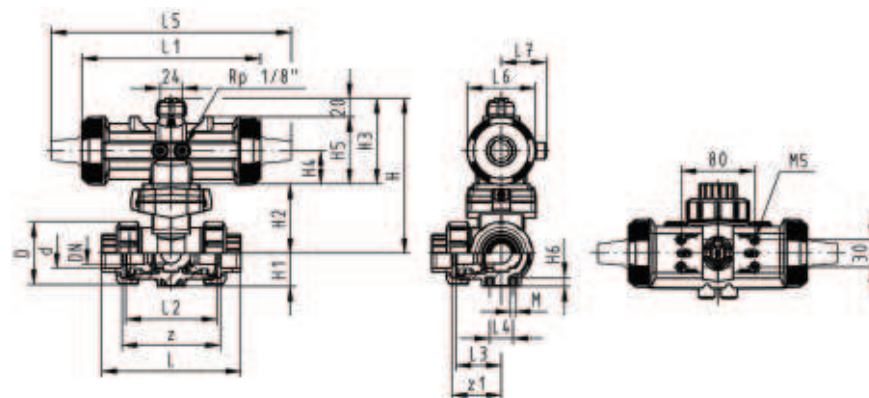
Model:

- Built on with pneumatic actuator PA11 (DN10/15-25), PA21 (DN32-50)
- Basic position A-C opened, activated position B-C opened, see flow scheme
- Control time $90^\circ <$ 1-3 s
- For easy installation and removal
- Integrated stainless steel mounting inserts

d [mm]	DN [mm]	PN	kv-value ($\Delta p=1$ bar) [l/min]	EPDM Code
16	10	10	50	199 285 342
20	15	10	75	199 285 343
25	20	10	150	199 285 344
32	25	10	280	199 285 345
40	32	10	480	199 285 346
50	40	10	620	199 285 347
63	50	10	1230	199 285 348

d [mm]	D [mm]	H [mm]	H1 [mm]	H2 [mm]	H3 [mm]	H4 [mm]	H5 [mm]	H6 [mm]	L [mm]	L1 [mm]	L2 [mm]	L3 [mm]	L4 [mm]	L5 [mm]	L6 [mm]
16	50	159	28	62	97	40	77	8	109	194	73	36	25	261	76
20	50	159	28	62	97	40	77	8	112	194	73	36	25	261	76
25	58	168	32	71	97	40	77	8	131	194	86	43	25	261	76
32	68	168	36	71	97	40	77	8	151	194	99	50	25	261	76
40	84	203	45	84	119	51	99	9	181	224	120	60	45	305	95
50	97	203	51	84	119	51	99	9	205	224	137	69	45	305	95
63	124	225	65	106	119	51	99	9	261	224	179	89	45	305	95

d [mm]	L7 [mm]	M	z [mm]	z1 [mm]	closest inch
16	48	6	81	40	$\frac{3}{8}$
20	48	6	81	40	$\frac{1}{2}$
25	48	6	94	47	$\frac{3}{4}$
32	48	6	107	54	1
40	59	8	130	65	$1 \frac{1}{4}$
50	59	8	143	72	$1 \frac{1}{2}$
63	59	8	185	92	2



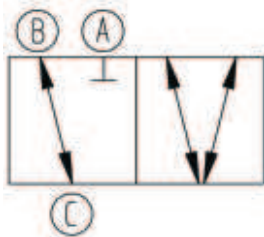
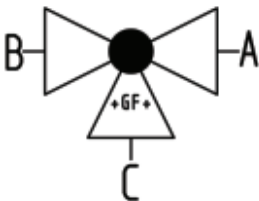
ABS metric



3-Way ball valve type 285 ABS
Horizontal/T-port
Without manual override
With solvent cement sockets metric

Model:

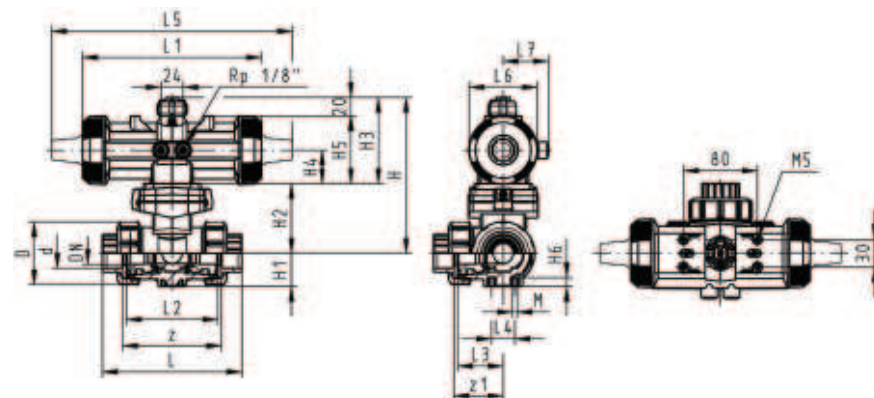
- Built on with pneumatic actuator PA11 (DN10/15-25), PA21 (DN32-50)
- Actuator fails safe to the closed position FC
- Basic position B-C opened, activated position A-B-C opened, see flow scheme
- Control time 90°<) 1-3 s
- For easy installation and removal
- Integrated stainless steel mounting inserts



d [mm]	DN [mm]	PN	kv-value (Δp=1 bar) [l/min]	EPDM Code
16	10	10	140	199 285 172
20	15	10	200	199 285 173
25	20	10	470	199 285 174
32	25	10	793	199 285 175
40	32	10	1290	199 285 176
50	40	10	1910	199 285 177
63	50	10	3100	199 285 178

d [mm]	D [mm]	H [mm]	H1 [mm]	H2 [mm]	H3 [mm]	H4 [mm]	H5 [mm]	H6 [mm]	L [mm]	L1 [mm]	L2 [mm]	L3 [mm]	L4 [mm]	L5 [mm]	L6 [mm]
16	50	159	28	62	97	40	77	8	109	194	73	36	25	261	76
20	50	159	28	62	97	40	77	8	112	194	73	36	25	261	76
25	58	168	32	71	97	40	77	8	131	194	86	43	25	261	76
32	68	168	36	71	97	40	77	8	151	194	99	50	25	261	76
40	84	203	45	84	119	51	99	9	181	224	120	60	45	305	95
50	97	203	51	84	119	51	99	9	205	224	137	69	45	305	95
63	124	225	65	106	119	51	99	9	261	224	179	89	45	305	95

d [mm]	L7 [mm]	M	z [mm]	z1 [mm]	closest inch
16	48	6	81	40	3/8
20	48	6	81	40	1/2
25	48	6	94	47	3/4
32	48	6	107	54	1
40	59	8	130	65	1 1/4
50	59	8	143	72	1 1/2
63	59	8	185	92	2



ABS metric

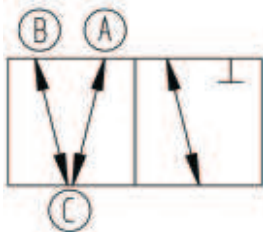
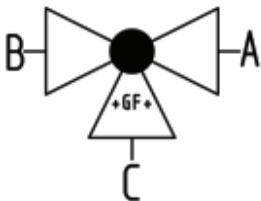


3-Way ball valve type 285 ABS Horizontal/T-port DA (Double acting) Without manual override With solvent cement sockets metric



Model:

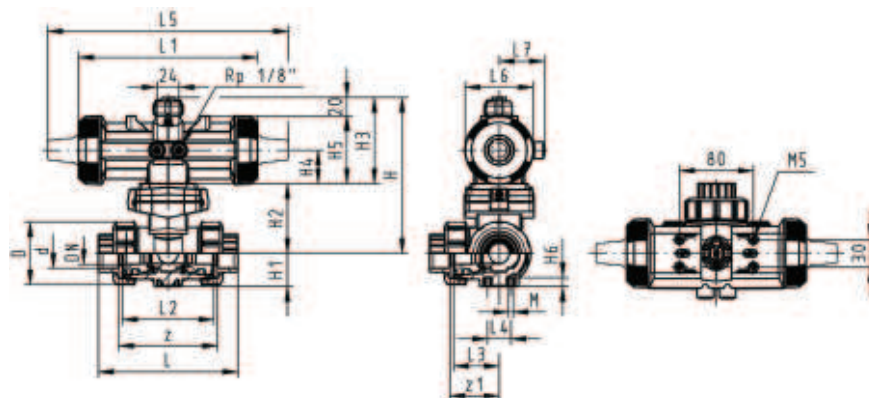
- Built on with pneumatic actuator PA11 (DN10/15-25), PA21 (DN32-50)
- Basic position A-B-C opened, activated position B-C opened, see flow scheme
- Control time $90^\circ <$ 1-3 s
- For easy installation and removal
- Integrated stainless steel mounting inserts



d [mm]	DN [mm]	PN	kv-value ($\Delta p=1$ bar) [l/min]	EPDM Code
16	10	10	140	199 285 352
20	15	10	200	199 285 353
25	20	10	470	199 285 354
32	25	10	793	199 285 355
40	32	10	1290	199 285 356
50	40	10	1910	199 285 357
63	50	10	3100	199 285 358

d [mm]	D [mm]	H [mm]	H1 [mm]	H2 [mm]	H3 [mm]	H4 [mm]	H5 [mm]	H6 [mm]	L [mm]	L1 [mm]	L2 [mm]	L3 [mm]	L4 [mm]	L5 [mm]	L6 [mm]
16	50	159	28	62	97	40	77	8	109	194	73	36	25	261	76
20	50	159	28	62	97	40	77	8	112	194	73	36	25	261	76
25	58	168	32	71	97	40	77	8	131	194	86	43	25	261	76
32	68	168	36	71	97	40	77	8	151	194	99	50	25	261	76
40	84	203	45	84	119	51	99	9	181	224	120	60	45	305	95
50	97	203	51	84	119	51	99	9	205	224	137	69	45	305	95
63	124	225	65	106	119	51	99	9	261	224	179	89	45	305	95

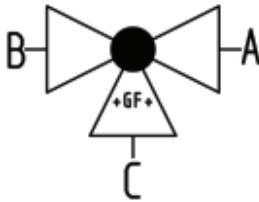
d [mm]	L7 [mm]	M	z [mm]	z1 [mm]	closest inch
16	48	6	81	40	$\frac{3}{8}$
20	48	6	81	40	$\frac{1}{2}$
25	48	6	94	47	$\frac{3}{4}$
32	48	6	107	54	1
40	59	8	130	65	$1 \frac{1}{4}$
50	59	8	143	72	$1 \frac{1}{2}$
63	59	8	185	92	2



ABS Inch BS

Ball valves

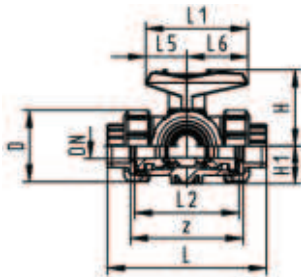
3-Way ball valve type 543 ABS Horizontal/T-port With solvent cement sockets BS



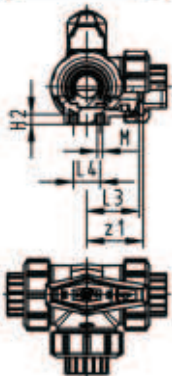
Model:

- For easy installation and removal (valve end and union nut are compatible with type 546)
- Ball seals PTFE
- Pneumatic or electric actuator available separately
- Angle of operation 360° without turn limiter
- Turn limiter 90° enclosed, in different positions usable as a clip-on ring
- Integrated stainless steel mounting inserts
- Delivery status A-B-C opened, see flow scheme

Inch	DN [mm]	PN	kv-value ($\Delta p=1$ bar) [l/min]	EPDM Code
3/8	10	10	140	169 543 261
1/2	15	10	200	169 543 262
3/4	20	10	470	169 543 263
1	25	10	793	169 543 264
1 1/4	32	10	1290	169 543 265
1 1/2	40	10	1910	169 543 266
2	50	10	3100	169 543 267



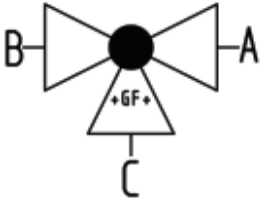
Inch	D [mm]	L [mm]	L1 [mm]	L2 [mm]	L3 [mm]	L4 [mm]	L5 [mm]	L6 [mm]	H [mm]	H1 [mm]	H2 [mm]	M	z [mm]	z1 [mm]
3/8	50	109	77	73	36	25	32	45	57	28	8	6	77	38
1/2	50	112	77	73	36	25	32	45	57	28	8	6	77	38
3/4	58	131	97	86	43	25	39	58	67	32	8	6	90	45
1	68	151	97	99	50	25	39	58	73	36	8	6	103	52
1 1/4	84	181	128	120	60	45	54	74	90	45	9	8	124	62
1 1/2	97	205	128	137	69	45	54	74	97	51	9	8	145	73
2	124	261	152	179	89	45	66	87	116	65	9	8	189	94



ABS Inch BS

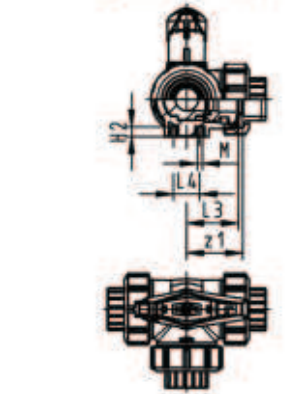
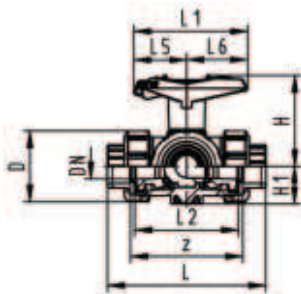


3-Way ball valve type 543 ABS
Horizontal/L-port
With lockable handle
With solvent cement sockets BS



Model:

- For easy installation and removal (valve end and union nut are compatible with type 546)
- Ball seals PTFE
- Pneumatic or electric actuator available separately
- Angle of operation 360° without turn limiter
- Turn limiter 90° enclosed, in different positions usable as a clip-on ring
- Integrated stainless steel mounting inserts
- Multifunctional lever red with ratched setting 45°, lockable
- Delivery status A-C opened, see flow scheme



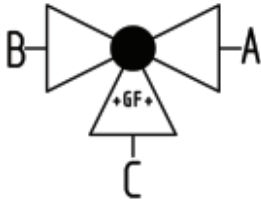
Inch	DN [mm]	PN	kv-value (Δp=1 bar) [l/min]	EPDM Code
3/8	10	10	50	169 543 831
1/2	15	10	75	169 543 832
3/4	20	10	150	169 543 833
1	25	10	280	169 543 834
1 1/4	32	10	480	169 543 835
1 1/2	40	10	620	169 543 836
2	50	10	1230	169 543 837

Inch	D [mm]	L [mm]	L1 [mm]	L2 [mm]	L3 [mm]	L4 [mm]	L5 [mm]	L6 [mm]	H [mm]	H1 [mm]	H2 [mm]	M	z [mm]	z1 [mm]
3/8	50	109	87	73	36	25	42	45	79	28	8	6	77	38
1/2	50	112	87	73	36	25	42	45	79	28	8	6	77	38
3/4	58	131	108	86	43	25	50	58	88	32	8	6	90	45
1	68	151	108	99	50	25	50	58	94	36	8	6	103	52
1 1/4	84	181	141	120	60	45	66	75	113	45	9	8	124	62
1 1/2	97	205	141	137	69	45	66	75	119	51	9	8	145	73
2	124	261	165	179	89	45	78	87	141	65	9	8	189	94

ABS Inch BS

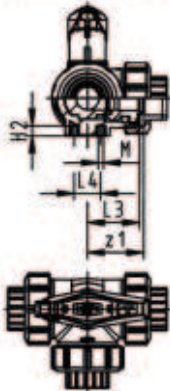
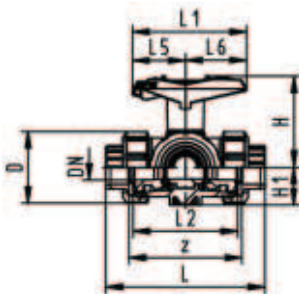


3-Way ball valve type 543 ABS Horizontal/T-port With lockable handle With solvent cement sockets BS



Model:

- For easy installation and removal (valve end and union nut are compatible with type 546)
- Ball seals PTFE
- Pneumatic or electric actuator available separately
- Angle of operation 360° without turn limiter
- Turn limiter 90° enclosed, in different positions usable as a clip-on ring
- Integrated stainless steel mounting inserts
- Multifunctional lever red with ratched setting 45°, lockable
- Delivery status A-B-C opened, see flow scheme

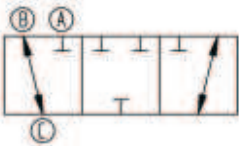
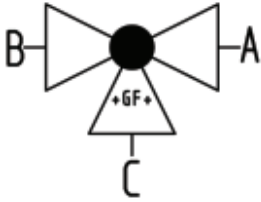


Inch	DN [mm]	PN	kv-value ($\Delta p=1$ bar) [l/min]	EPDM Code
3/8	10	10	140	169 543 841
1/2	15	10	200	169 543 842
3/4	20	10	470	169 543 843
1	25	10	793	169 543 844
1 1/4	32	10	1290	169 543 845
1 1/2	40	10	1910	169 543 846
2	50	10	3100	169 543 847

Inch	D [mm]	L [mm]	L1 [mm]	L2 [mm]	L3 [mm]	L4 [mm]	L5 [mm]	L6 [mm]	H [mm]	H1 [mm]	H2 [mm]	M	z [mm]	z1 [mm]
3/8	50	109	87	73	36	25	42	45	79	28	8	6	77	38
1/2	50	112	87	73	36	25	42	45	79	28	8	6	77	38
3/4	58	131	108	86	43	25	50	58	88	32	8	6	90	45
1	68	151	108	99	50	25	50	58	94	36	8	6	103	52
1 1/4	84	181	141	120	60	45	66	75	113	45	9	8	124	62
1 1/2	97	205	141	137	69	45	66	75	119	51	9	8	145	73
2	124	261	165	179	89	45	78	87	141	65	9	8	189	94

ABS Inch BS

3-Way ball valve type 543 ABS Vertical/L-port With lockable handle With solvent cement sockets BS



Model:

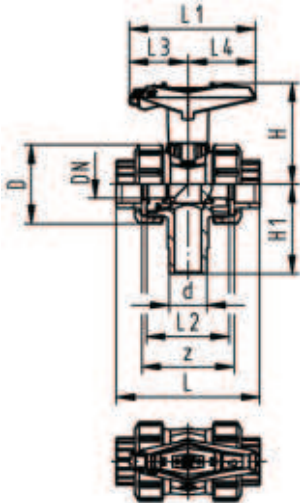
- Vertical inlet solvent cement spigot metric
- Easy installation and removal using union on third outlet
- Ball seals PTFE
- Electric actuator available separately
- Angle of operation 360° without turn limiter
- Multifunctional lever red with ratched setting 45°, lockable
- Delivery status B-C opened, see flow scheme

Mode of action:

- For interconnection of two inputs

Inch	DN [mm]	PN	kv-value (Δp=1 bar) [l/min]	EPDM Code
3/8	10	10	49	169 543 851
1/2	15	10	77	169 543 852
3/4	20	10	146	169 543 853
1	25	10	260	169 543 854
1 1/4	32	10	437	169 543 855
1 1/2	40	10	667	169 543 856
2	50	10	1293	169 543 857

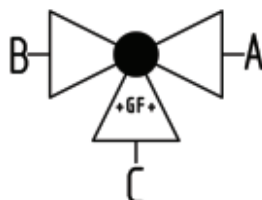
Inch	D [mm]	L [mm]	L1 [mm]	L2 [mm]	L3 [mm]	L4 [mm]	H [mm]	H1 [mm]	z [mm]
3/8	50	92	87	56	42	45	79	62	60
1/2	50	95	87	56	42	45	79	62	60
3/4	58	111	108	66	50	58	88	72	69
1	68	123	108	71	50	58	94	77	75
1 1/4	84	146	140	85	66	74	113	87	89
1 1/2	97	157	140	89	66	74	119	97	97
2	124	183	165	101	78	87	141	112	110



PROGEF Standard metric

Ball valves

PROGEF Standard 3-Way ball valve type 543 Horizontal/L-port With fusion sockets metric

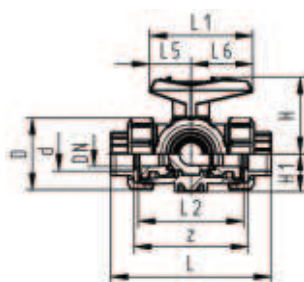


Model:

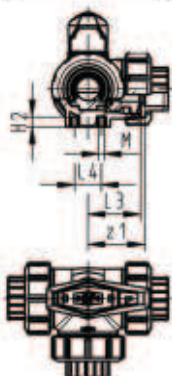
- Material: PP-H
- For easy installation and removal (valve end and union nut are compatible with type 546)
- Ball seals PTFE
- Pneumatic or electric actuator available separately
- Angle of operation 360° without turn limiter
- Turn limiter 90° enclosed, in different positions usable as a clip-on ring
- Integrated stainless steel mounting inserts
- Delivery status A-C opened, see flow scheme



d [mm]	DN [mm]	PN	kv-value ($\Delta p=1$ bar) [l/min]	EPDM Code	FPM Code
16	10	10	50	167 543 001	167 543 011
20	15	10	75	167 543 002	167 543 012
25	20	10	150	167 543 003	167 543 013
32	25	10	280	167 543 004	167 543 014
40	32	10	480	167 543 005	167 543 015
50	40	10	620	167 543 006	167 543 016
63	50	10	1230	167 543 007	167 543 017



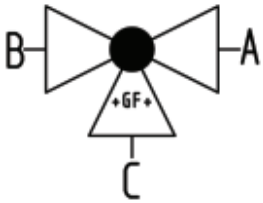
d [mm]	D [mm]	L [mm]	L1 [mm]	L2 [mm]	L3 [mm]	L4 [mm]	L5 [mm]	L6 [mm]	H [mm]	H1 [mm]	H2 [mm]	M	z [mm]	z1 [mm]	closest inch
16	50	110	77	72	36	25	32	45	57	28	8	6	82	41	3/8
20	50	112	77	72	36	25	32	45	57	28	8	6	82	41	1/2
25	58	129	97	85	43	25	39	58	67	32	8	6	97	49	3/4
32	68	146	97	98	49	25	39	58	73	36	8	6	110	55	1
40	84	170	128	118	59	45	54	74	90	45	9	8	132	66	1 1/4
50	97	193	128	135	68	45	54	74	97	51	9	8	151	76	1 1/2
63	124	244	152	176	88	45	66	87	116	65	9	8	188	94	2



PROGEF Standard metric



PROGEF Standard 3-Way ball valve type 543 Horizontal/L-port With threaded sockets Rp reinforced

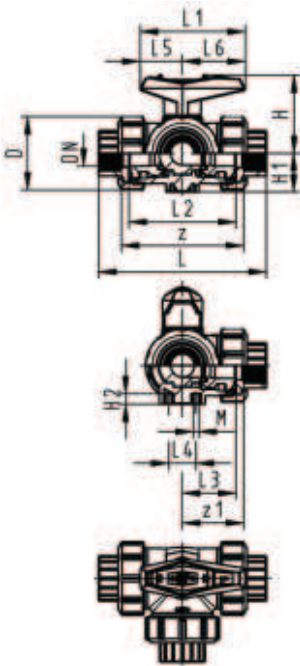


Model:

- Material: PP-H
- For easy installation and removal (valve end and union nut are compatible with type 546)
- Ball seals PTFE
- Pneumatic or electric actuator available separately
- Angle of operation 360° without turn limiter
- Turn limiter 90° enclosed, in different positions usable as a clip-on ring
- Integrated stainless steel mounting inserts
- Delivery status A-C opened, see flow scheme



Rp [inch]	DN [mm]	PN	kv-value ($\Delta p=1$ bar) [l/min]	EPDM Code	FPM Code
3/8	10	10	50	167 543 081	167 543 091
1/2	15	10	75	167 543 082	167 543 092
3/4	20	10	150	167 543 083	167 543 093
1	25	10	280	167 543 084	167 543 094
1 1/4	32	10	480	167 543 085	167 543 095
1 1/2	40	10	620	167 543 086	167 543 096
2	50	10	1230	167 543 087	167 543 097



Rp [inch]	D [mm]	L [mm]	L1 [mm]	L2 [mm]	L3 [mm]	L4 [mm]	L5 [mm]	L6 [mm]	H [mm]	H1 [mm]	H2 [mm]	M	z [mm]	z1 [mm]
3/8	50	112	77	72	36	25	32	45	57	28	8	6	86	43
1/2	50	114	77	72	36	25	32	45	57	28	8	6	84	42
3/4	58	131	97	85	43	25	39	58	67	32	8	6	99	50
1	68	154	97	98	49	25	39	58	73	36	8	6	112	56
1 1/4	84	180	128	118	59	45	54	74	90	45	9	8	132	66
1 1/2	97	203	128	135	68	45	54	74	97	51	9	8	153	77
2	124	258	152	176	88	45	66	87	116	65	9	8	196	98

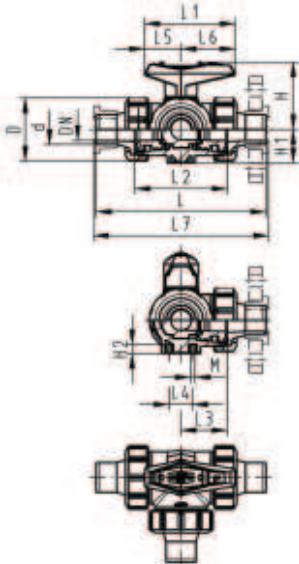
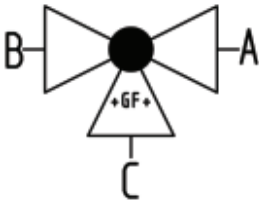
PROGEF Standard metric



PROGEF Standard 3-Way ball valve type 543 Horizontal/L-port With socket fusion spigots metric

Model:

- Material: PP-H
- For easy installation and removal (valve end and union nut are compatible with type 546)
- Ball seals PTFE
- Pneumatic or electric actuator available separately
- Angle of operation 360° without turn limiter
- Turn limiter 90° enclosed, in different positions usable as a clip-on ring
- Integrated stainless steel mounting inserts
- Delivery status A-C opened, see flow scheme



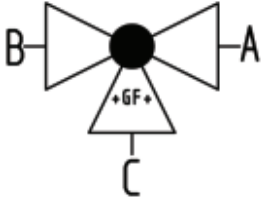
d [mm]	DN [mm]	PN	kv-value ($\Delta p=1$ bar) [l/min]	EPDM Code	FPM Code
16	10	10	50	167 543 021	167 543 031
20	15	10	75	167 543 022	167 543 032
25	20	10	150	167 543 023	167 543 033
32	25	10	280	167 543 024	167 543 034
40	32	10	480	167 543 025	167 543 035
50	40	10	620	167 543 026	167 543 036
63	50	10	1230	167 543 027	167 543 037

d [mm]	D [mm]	L [mm]	L1 [mm]	L2 [mm]	L3 [mm]	L4 [mm]	L5 [mm]	L6 [mm]	L7 [mm]	H [mm]	H1 [mm]	H2 [mm]	M	closest inch
16	50	126	77	72	36	25	32	45	133	57	28	8	6	3/8
20	50	136	77	72	36	25	32	45	144	57	28	8	6	1/2
25	58	159	97	85	43	25	39	58	170	67	32	8	6	3/4
32	68	178	97	98	49	25	39	58	191	73	36	8	6	1
40	84	204	128	118	59	45	54	74	223	90	45	9	8	1 1/4
50	97	237	128	135	68	45	54	74	256	97	51	9	8	1 1/2
63	124	296	152	176	88	45	66	87	319	116	65	9	8	2

PROGEF Standard metric



PROGEF Standard 3-Way ball valve type 543 Horizontal/L-port With butt fusion spigots IR-Plus SDR11 metric

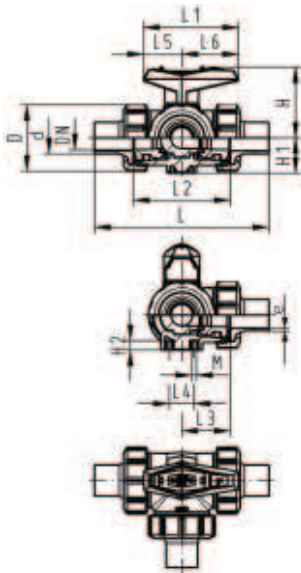


Model:

- Material: PP-H
- For easy installation and removal (valve end and union nut are compatible with type 546)
- Ball seals PTFE
- Pneumatic or electric actuator available separately
- Angle of operation 360° without turn limiter
- Turn limiter 90° enclosed, in different positions usable as a clip-on ring
- Integrated stainless steel mounting inserts
- Delivery status A-C opened, see flow scheme



d [mm]	DN [mm]	PN	kv-value ($\Delta p=1$ bar) [l/min]	EPDM Code	FPM Code
20	15	10	75	167 543 062	167 543 072
25	20	10	150	167 543 063	167 543 073
32	25	10	280	167 543 064	167 543 074
40	32	10	480	167 543 065	167 543 075
50	40	10	620	167 543 066	167 543 076
63	50	10	1230	167 543 067	167 543 077

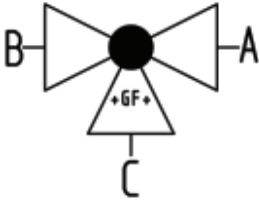


d [mm]	D [mm]	L [mm]	L1 [mm]	L2 [mm]	L3 [mm]	L4 [mm]	L5 [mm]	L6 [mm]	H [mm]	H1 [mm]	H2 [mm]	M [mm]	e [mm]	closest inch
20	50	146	77	72	36	25	32	45	57	28	8	6	1.9	1/2
25	58	163	97	85	43	25	39	58	67	32	8	6	2.3	3/4
32	68	178	97	98	49	25	39	58	73	36	8	6	3.0	1
40	84	204	128	118	59	45	54	74	90	45	9	8	3.7	1 1/4
50	97	237	128	135	68	45	54	74	97	51	9	8	4.6	1 1/2
63	124	296	152	176	88	45	66	87	116	65	9	8	5.8	2

PROGEF Standard metric

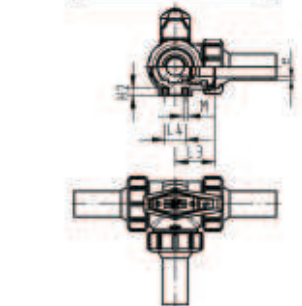
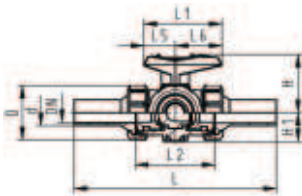


PROGEF Standard 3-Way ball valve type 543 Horizontal/L-port With butt fusion spigots long SDR11 metric



Model:

- Material: PP-H
- For easy installation and removal (valve end and union nut are compatible with type 546)
- Ball seals PTFE
- Pneumatic or electric actuator available separately
- Angle of operation 360° without turn limiter
- Turn limiter 90° enclosed, in different positions usable as a clip-on ring
- Integrated stainless steel mounting inserts
- Delivery status A-C opened, see flow scheme



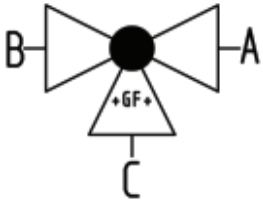
d [mm]	DN [mm]	PN	kv-value ($\Delta p=1$ bar) [l/min]	EPDM Code	FPM Code
20	15	10	75	167 543 102	167 543 112
25	20	10	150	167 543 103	167 543 113
32	25	10	280	167 543 104	167 543 114
40	32	10	480	167 543 105	167 543 115
50	40	10	620	167 543 106	167 543 116
63	50	10	1230	167 543 107	167 543 117

d [mm]	D [mm]	L [mm]	L1 [mm]	L2 [mm]	L3 [mm]	L4 [mm]	L5 [mm]	L6 [mm]	H [mm]	H1 [mm]	H2 [mm]	M	e [mm]	closest inch
20	50	210	77	72	36	25	32	45	57	28	8	6	2.3	1/2
25	58	237	97	85	43	25	39	58	67	32	8	6	2.3	3/4
32	68	250	97	98	49	25	39	58	73	36	8	6	3.0	1
40	84	282	128	118	59	45	54	74	90	45	9	8	3.7	1 1/4
50	97	317	128	135	68	45	54	74	97	51	9	8	4.6	1 1/2
63	124	396	152	176	88	45	66	87	116	65	9	8	5.8	2

PROGEF Standard metric

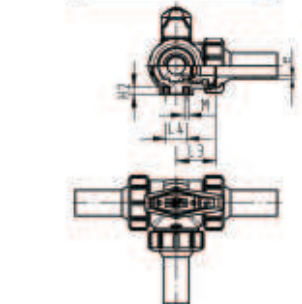
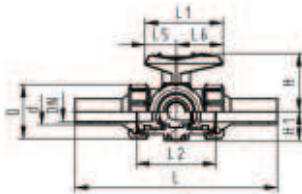


PROGEF Standard
3-Way ball valve type 543
Horizontal/L-port
With butt fusion spigots long
PE100 SDR11 metric



Model:

- Material: PP-H
- For easy installation and removal (valve end and union nut are compatible with type 546)
- Ball seals PTFE
- Pneumatic or electric actuator available separately
- Angle of operation 360° without turn limiter
- Turn limiter 90° enclosed, in different positions usable as a clip-on ring
- Integrated stainless steel mounting inserts
- Delivery status A-C opened, see flow scheme



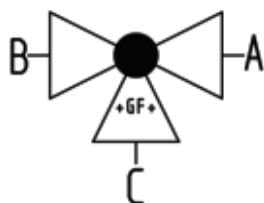
d [mm]	DN [mm]	PN	kv-value ($\Delta p=1$ bar) [l/min]	EPDM Code	FPM Code
20	15	10	75	167 543 122	167 543 132
25	20	10	150	167 543 123	167 543 133
32	25	10	280	167 543 124	167 543 134
40	32	10	480	167 543 125	167 543 135
50	40	10	620	167 543 126	167 543 136
63	50	10	1230	167 543 127	167 543 137

d [mm]	D [mm]	L [mm]	L1 [mm]	L2 [mm]	L3 [mm]	L4 [mm]	L5 [mm]	L6 [mm]	H [mm]	H1 [mm]	H2 [mm]	M	e [mm]	closest inch
20	50	210	77	72	36	25	32	45	57	28	8	6	2.3	1/2
25	58	237	97	85	43	25	39	58	67	32	8	6	2.3	3/4
32	68	250	97	98	49	25	39	58	73	36	8	6	3.0	1
40	84	282	128	118	59	45	54	74	90	45	9	8	3.7	1 1/4
50	97	317	128	135	68	45	54	74	97	51	9	8	4.6	1 1/2
63	124	396	152	176	88	45	66	87	116	65	9	8	5.8	2

PROGEF Standard metric

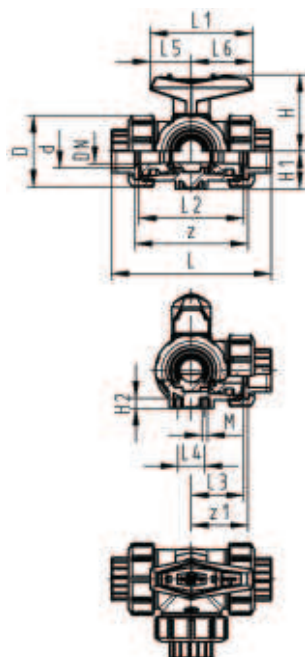


PROGEF Standard 3-Way ball valve type 543 Horizontal/T-port With fusion sockets metric



Model:

- Material: PP-H
- For easy installation and removal (valve end and union nut are compatible with type 546)
- Ball seals PTFE
- Pneumatic or electric actuator available separately
- Angle of operation 360° without turn limiter
- Turn limiter 90° enclosed, in different positions usable as a clip-on ring
- Integrated stainless steel mounting inserts
- Delivery status A-B-C opened, see flow scheme



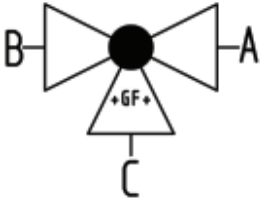
d [mm]	DN [mm]	PN	kv-value ($\Delta p=1$ bar) [l/min]	EPDM Code	FPM Code
16	10	10	140	167 543 201	167 543 211
20	15	10	200	167 543 202	167 543 212
25	20	10	470	167 543 203	167 543 213
32	25	10	793	167 543 204	167 543 214
40	32	10	1290	167 543 205	167 543 215
50	40	10	1910	167 543 206	167 543 216
63	50	10	3100	167 543 207	167 543 217

d [mm]	D [mm]	L [mm]	L1 [mm]	L2 [mm]	L3 [mm]	L4 [mm]	L5 [mm]	L6 [mm]	H [mm]	H1 [mm]	H2 [mm]	M [mm]	z [mm]	z1 [mm]	closest inch
16	50	110	77	72	36	25	32	45	57	28	8	6	82	41	3/8
20	50	112	77	72	36	25	32	45	57	28	8	6	82	41	1/2
25	58	129	97	85	43	25	39	58	67	32	8	6	97	49	3/4
32	68	146	97	98	49	25	39	58	73	36	8	6	110	55	1
40	84	170	128	118	59	45	54	74	90	45	9	8	132	66	1 1/4
50	97	193	128	135	68	45	54	74	97	51	9	8	151	76	1 1/2
63	124	244	152	176	88	45	66	87	116	65	9	8	188	94	2

PROGEF Standard metric

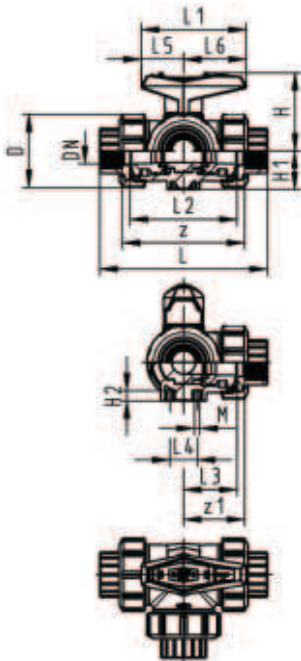


PROGEF Standard 3-Way ball valve type 543 Horizontal/T-port With threaded sockets Rp reinforced



Model:

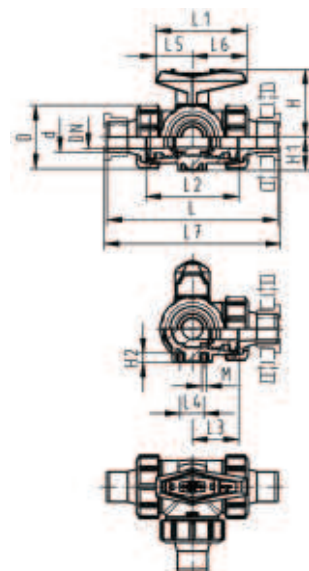
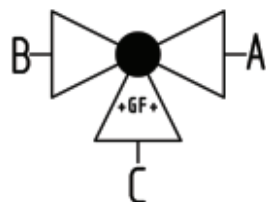
- Material: PP-H
- For easy installation and removal (valve end and union nut are compatible with type 546)
- Ball seals PTFE
- Pneumatic or electric actuator available separately
- Angle of operation 360° without turn limiter
- Turn limiter 90° enclosed, in different positions usable as a clip-on ring
- Integrated stainless steel mounting inserts
- Delivery status A-B-C opened, see flow scheme



Rp [inch]	DN [mm]	PN	kv-value ($\Delta p=1$ bar) [l/min]	EPDM Code	FPM Code
3/8	10	10	140	167 543 281	167 543 291
1/2	15	10	200	167 543 282	167 543 292
3/4	20	10	470	167 543 283	167 543 293
1	25	10	793	167 543 284	167 543 294
1 1/4	32	10	1290	167 543 285	167 543 295
1 1/2	40	10	1910	167 543 286	167 543 296
2	50	10	3100	167 543 287	167 543 297

Rp [inch]	D [mm]	L [mm]	L1 [mm]	L2 [mm]	L3 [mm]	L4 [mm]	L5 [mm]	L6 [mm]	H [mm]	H1 [mm]	H2 [mm]	M	z [mm]	z1 [mm]
3/8	50	112	77	72	36	25	32	45	57	28	8	6	86	43
1/2	50	114	77	72	36	25	32	45	57	28	8	6	84	42
3/4	58	131	97	85	43	25	39	58	67	32	8	6	99	50
1	68	154	97	98	49	25	39	58	73	36	8	6	112	56
1 1/4	84	180	128	118	59	45	54	74	90	45	9	8	132	66
1 1/2	97	203	128	135	68	45	54	74	97	51	9	8	153	77
2	124	258	152	176	88	45	66	87	116	65	9	8	196	98

PROGEF Standard metric



PROGEF Standard 3-Way ball valve type 543 Horizontal/T-port With socket fusion spigots metric

Model:

- Material: PP-H
- For easy installation and removal (valve end and union nut are compatible with type 546)
- Ball seals PTFE
- Pneumatic or electric actuator available separately
- Angle of operation 360° without turn limiter
- Turn limiter 90° enclosed, in different positions usable as a clip-on ring
- Integrated stainless steel mounting inserts
- Delivery status A-B-C opened, see flow scheme

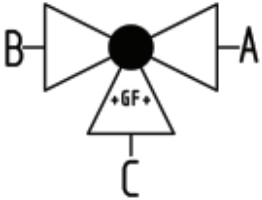
d [mm]	DN [mm]	PN	kv-value ($\Delta p=1$ bar) [l/min]	EPDM Code	FPM Code
16	10	10	140	167 543 221	167 543 231
20	15	10	200	167 543 222	167 543 232
25	20	10	470	167 543 223	167 543 233
32	25	10	793	167 543 224	167 543 234
40	32	10	1290	167 543 225	167 543 235
50	40	10	1910	167 543 226	167 543 236
63	50	10	3100	167 543 227	167 543 237

d [mm]	D [mm]	L [mm]	L1 [mm]	L2 [mm]	L3 [mm]	L4 [mm]	L5 [mm]	L6 [mm]	L7 [mm]	H [mm]	H1 [mm]	H2 [mm]	M	closest inch
16	50	126	77	72	36	25	32	45	133	57	28	8	6	3/8
20	50	136	77	72	36	25	32	45	144	57	28	8	6	1/2
25	58	159	97	85	43	25	39	58	170	67	32	8	6	3/4
32	68	178	97	98	49	25	39	58	191	73	36	8	6	1
40	84	204	128	118	59	45	54	74	223	90	45	9	8	1 1/4
50	97	237	128	135	68	45	54	74	256	97	51	9	8	1 1/2
63	124	296	152	176	88	45	66	87	319	116	65	9	8	2

PROGEF Standard metric



PROGEF Standard
3-Way ball valve type 543
Horizontal/T-port
With butt fusion spigots IR-Plus
SDR11 metric

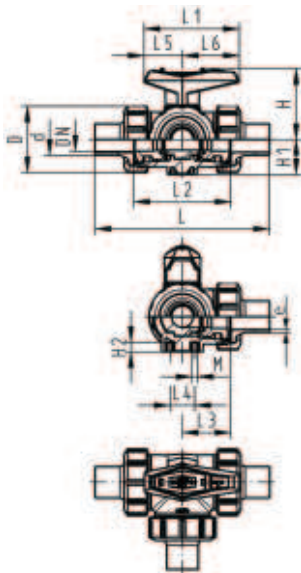


Model:

- Material: PP-H
- For easy installation and removal (valve end and union nut are compatible with type 546)
- Ball seals PTFE
- Pneumatic or electric actuator available separately
- Angle of operation 360° without turn limiter
- Turn limiter 90° enclosed, in different positions usable as a clip-on ring
- Integrated stainless steel mounting inserts
- Delivery status A-B-C opened, see flow scheme



d [mm]	DN [mm]	PN	kv-value ($\Delta p=1$ bar) [l/min]	EPDM Code	FPM Code
20	15	10	200	167 543 262	167 543 272
25	20	10	470	167 543 263	167 543 273
32	25	10	793	167 543 264	167 543 274
40	32	10	1290	167 543 265	167 543 275
50	40	10	1910	167 543 266	167 543 276
63	50	10	3100	167 543 267	167 543 277

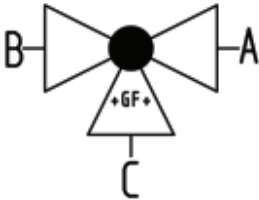


d [mm]	D [mm]	L [mm]	L1 [mm]	L2 [mm]	L3 [mm]	L4 [mm]	L5 [mm]	L6 [mm]	H [mm]	H1 [mm]	H2 [mm]	M [mm]	e [mm]	closest inch
20	50	146	77	72	36	25	32	45	57	28	8	6	1.9	1/2
25	58	163	97	85	43	25	39	58	67	32	8	6	2.3	3/4
32	68	178	97	98	49	25	39	58	73	36	8	6	3.0	1
40	84	204	128	118	59	45	54	74	90	45	9	8	3.7	1 1/4
50	97	237	128	135	68	45	54	74	97	51	9	8	4.6	1 1/2
63	124	296	152	176	88	45	66	87	116	65	9	8	5.8	2

PROGEF Standard metric

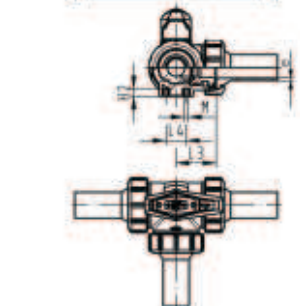
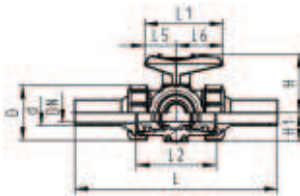


PROGEF Standard 3-Way ball valve type 543 Horizontal/T-port With butt fusion spigots long SDR11 metric



Model:

- Material: PP-H
- For easy installation and removal (valve end and union nut are compatible with type 546)
- Ball seals PTFE
- Pneumatic or electric actuator available separately
- Angle of operation 360° without turn limiter
- Turn limiter 90° enclosed, in different positions usable as a clip-on ring
- Integrated stainless steel mounting inserts
- Delivery status A-B-C opened, see flow scheme



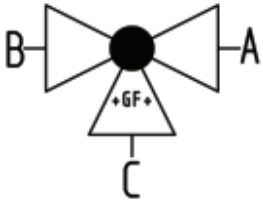
d [mm]	DN [mm]	PN	kv-value ($\Delta p=1$ bar) [l/min]	EPDM Code	FPM Code
20	15	10	200	167 543 302	167 543 312
25	20	10	470	167 543 303	167 543 313
32	25	10	793	167 543 304	167 543 314
40	32	10	1290	167 543 305	167 543 315
50	40	10	1910	167 543 306	167 543 316
63	50	10	3100	167 543 307	167 543 317

d [mm]	D [mm]	L [mm]	L1 [mm]	L2 [mm]	L3 [mm]	L4 [mm]	L5 [mm]	L6 [mm]	H [mm]	H1 [mm]	H2 [mm]	M	e [mm]	closest inch
20	50	210	77	72	36	25	32	45	57	28	8	6	2.3	1/2
25	58	237	97	85	43	25	39	58	67	32	8	6	2.3	3/4
32	68	250	97	98	49	25	39	58	73	36	8	6	3.0	1
40	84	282	128	118	59	45	54	74	90	45	9	8	3.7	1 1/4
50	97	317	128	135	68	45	54	74	97	51	9	8	4.6	1 1/2
63	124	396	152	176	88	45	66	87	116	65	9	8	5.8	2

PROGEF Standard metric

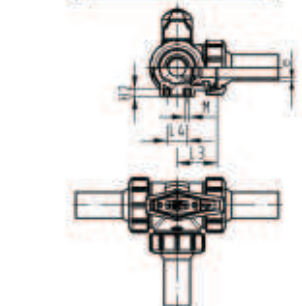
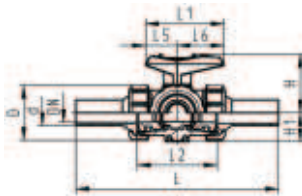


PROGEF Standard
3-Way ball valve type 543
Horizontal/T-port
With butt fusion spigots long
PE100 SDR11 metric



Model:

- Material: PP-H
- For easy installation and removal (valve end and union nut are compatible with type 546)
- Ball seals PTFE
- Pneumatic or electric actuator available separately
- Angle of operation 360° without turn limiter
- Turn limiter 90° enclosed, in different positions usable as a clip-on ring
- Integrated stainless steel mounting inserts
- Delivery status A-B-C opened, see flow scheme



d [mm]	DN [mm]	PN	kv-value (Δp=1 bar) [l/min]	EPDM Code	FPM Code
20	15	10	200	167 543 322	167 543 332
25	20	10	470	167 543 323	167 543 333
32	25	10	793	167 543 324	167 543 334
40	32	10	1290	167 543 325	167 543 335
50	40	10	1910	167 543 326	167 543 336
63	50	10	3100	167 543 327	167 543 337

d [mm]	D [mm]	L [mm]	L1 [mm]	L2 [mm]	L3 [mm]	L4 [mm]	L5 [mm]	L6 [mm]	H [mm]	H1 [mm]	H2 [mm]	M	e [mm]	closest inch
20	50	210	77	72	36	25	32	45	57	28	8	6	2.3	1/2
25	58	237	97	85	43	25	39	58	67	32	8	6	2.3	3/4
32	68	250	97	98	49	25	39	58	73	36	8	6	3.0	1
40	84	282	128	118	59	45	54	74	90	45	9	8	3.7	1 1/4
50	97	317	128	135	68	45	54	74	97	51	9	8	4.6	1 1/2
63	124	396	152	176	88	45	66	87	116	65	9	8	5.8	2

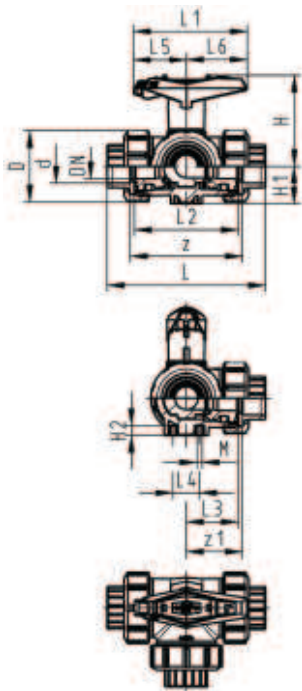
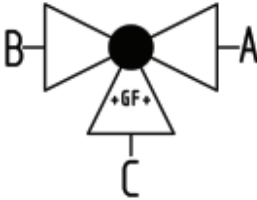
PROGEF Standard metric



PROGEF Standard 3-Way ball valve type 543 Horizontal/L-port With lockable handle With fusion sockets metric

Model:

- Material: PP-H
- For easy installation and removal (valve end and union nut are compatible with type 546)
- Ball seals PTFE
- Pneumatic or electric actuator available separately
- Angle of operation 360° without turn limiter
- Turn limiter 90° enclosed, in different positions usable as a clip-on ring
- Integrated stainless steel mounting inserts
- Multifunctional lever red with ratched setting 45°, lockable
- Delivery status A-C opened, see flow scheme



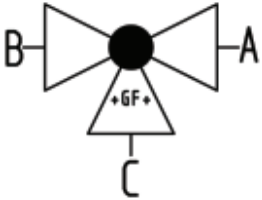
d [mm]	DN [mm]	PN	kv-value (Δp=1 bar) [l/min]	EPDM Code	FPM Code
16	10	10	50	167 543 561	167 543 571
20	15	10	75	167 543 562	167 543 572
25	20	10	150	167 543 563	167 543 573
32	25	10	280	167 543 564	167 543 574
40	32	10	480	167 543 565	167 543 575
50	40	10	620	167 543 566	167 543 576
63	50	10	1230	167 543 567	167 543 577

d [mm]	D [mm]	L [mm]	L1 [mm]	L2 [mm]	L3 [mm]	L4 [mm]	L5 [mm]	L6 [mm]	H [mm]	H1 [mm]	H2 [mm]	M [mm]	z [mm]	z1 [mm]	closest inch
16	50	110	87	72	36	25	42	45	79	28	8	6	82	41	3/8
20	50	112	87	72	36	25	42	45	79	28	8	6	82	41	1/2
25	58	129	108	85	43	25	50	58	88	32	8	6	97	49	3/4
32	68	146	108	98	49	25	50	58	94	36	8	6	110	55	1
40	84	170	141	118	59	45	66	75	113	45	9	8	132	66	1 1/4
50	97	193	141	135	68	45	66	75	119	51	9	8	151	76	1 1/2
63	124	244	165	176	88	45	78	87	141	65	9	8	188	94	2

PROGEF Standard metric

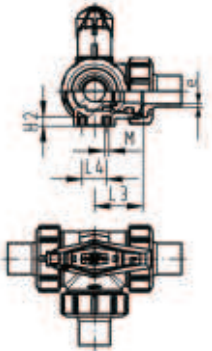
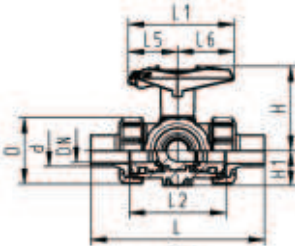


PROGEF Standard
3-Way ball valve type 543
Horizontal/L-port
With lockable handle
With butt fusion spigots IR-Plus
SDR11 metric



Model:

- Material: PP-H
- For easy installation and removal (valve end and union nut are compatible with type 546)
- Ball seals PTFE
- Pneumatic or electric actuator available separately
- Angle of operation 360° without turn limiter
- Turn limiter 90° enclosed, in different positions usable as a clip-on ring
- Integrated stainless steel mounting inserts
- Multifunctional lever red with ratched setting 45°, lockable
- Delivery status A-C opened, see flow scheme



d [mm]	DN [mm]	PN	kv-value ($\Delta p=1$ bar) [l/min]	EPDM Code	FPM Code
20	15	10	75	167 543 602	167 543 612
25	20	10	150	167 543 603	167 543 613
32	25	10	280	167 543 604	167 543 614
40	32	10	480	167 543 605	167 543 615
50	40	10	620	167 543 606	167 543 616
63	50	10	1230	167 543 607	167 543 617

d [mm]	D [mm]	L [mm]	L1 [mm]	L2 [mm]	L3 [mm]	L4 [mm]	L5 [mm]	L6 [mm]	H [mm]	H1 [mm]	H2 [mm]	M	e [mm]	closest inch
20	50	146	87	72	36	25	42	45	79	28	8	6	1.9	1/2
25	58	163	108	85	43	25	50	58	88	32	8	6	2.3	3/4
32	68	178	108	98	49	25	50	58	94	36	8	6	3.0	1
40	84	204	141	118	59	45	66	75	113	45	9	8	3.7	1 1/4
50	97	237	141	135	68	45	66	75	119	51	9	8	4.6	1 1/2
63	124	296	165	176	88	45	78	87	141	65	9	8	5.8	2

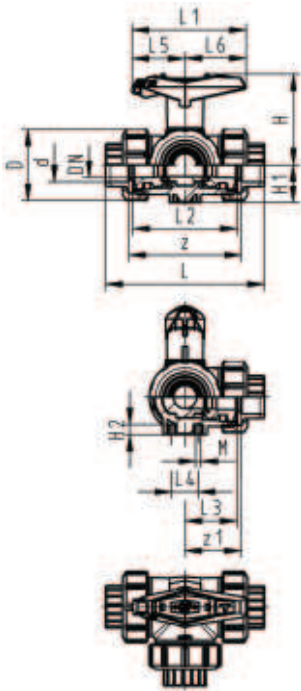
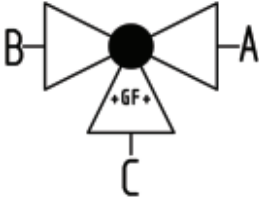
PROGEF Standard metric



PROGEF Standard 3-Way ball valve type 543 Horizontal/T-port With lockable handle With fusion sockets metric

Model:

- Material: PP-H
- For easy installation and removal (valve end and union nut are compatible with type 546)
- Ball seals PTFE
- Pneumatic or electric actuator available separately
- Angle of operation 360° without turn limiter
- Turn limiter 90° enclosed, in different positions usable as a clip-on ring
- Integrated stainless steel mounting inserts
- Multifunctional lever red with ratched setting 45°, lockable
- Delivery status A-B-C opened, see flow scheme



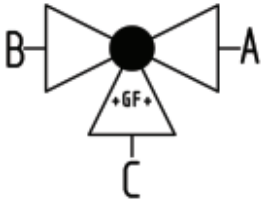
d [mm]	DN [mm]	PN	kv-value (Δp=1 bar) [l/min]	EPDM Code	FPM Code
16	10	10	140	167 543 581	167 543 591
20	15	10	200	167 543 582	167 543 592
25	20	10	470	167 543 583	167 543 593
32	25	10	793	167 543 584	167 543 594
40	32	10	1290	167 543 585	167 543 595
50	40	10	1910	167 543 586	167 543 596
63	50	10	3100	167 543 587	167 543 597

d [mm]	D [mm]	L [mm]	L1 [mm]	L2 [mm]	L3 [mm]	L4 [mm]	L5 [mm]	L6 [mm]	H [mm]	H1 [mm]	H2 [mm]	M	z [mm]	z1 [mm]	closest inch
16	50	110	87	72	36	25	42	45	79	28	8	6	82	41	3/8
20	50	112	87	72	36	25	42	45	79	28	8	6	82	41	1/2
25	58	129	108	85	43	25	50	58	88	32	8	6	97	49	3/4
32	68	146	108	98	49	25	50	58	94	36	8	6	110	55	1
40	84	170	141	118	59	45	66	75	113	45	9	8	132	66	1 1/4
50	97	193	141	135	68	45	66	75	119	51	9	8	151	76	1 1/2
63	124	244	165	176	88	45	78	87	141	65	9	8	188	94	2

PROGEF Standard metric



PROGEF Standard
3-Way ball valve type 543
Horizontal/T-port
With lockable handle
With butt fusion spigots IR-Plus
SDR11 metric

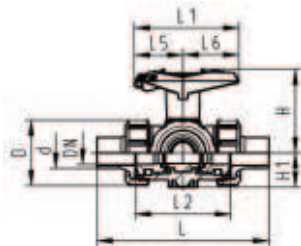


Model:

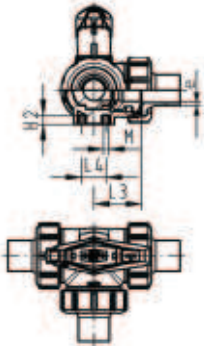
- Material: PP-H
- For easy installation and removal (valve end and union nut are compatible with type 546)
- Ball seals PTFE
- Pneumatic or electric actuator available separately
- Angle of operation 360° without turn limiter
- Turn limiter 90° enclosed, in different positions usable as a clip-on ring
- Integrated stainless steel mounting inserts
- Multifunctional lever red with ratched setting 45°, lockable
- Delivery status A-B-C opened, see flow scheme



d [mm]	DN [mm]	PN	kv-value ($\Delta p=1$ bar) [l/min]	EPDM Code	FPM Code
20	15	10	200	167 543 622	167 543 632
25	20	10	470	167 543 623	167 543 633
32	25	10	793	167 543 624	167 543 634
40	32	10	1290	167 543 625	167 543 635
50	40	10	1910	167 543 626	167 543 636
63	50	10	3100	167 543 627	167 543 637



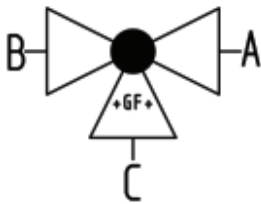
d [mm]	D [mm]	L [mm]	L1 [mm]	L2 [mm]	L3 [mm]	L4 [mm]	L5 [mm]	L6 [mm]	H [mm]	H1 [mm]	H2 [mm]	M	e [mm]	closest inch
20	50	146	87	72	36	25	42	45	79	28	8	6	1.9	1/2
25	58	163	108	85	43	25	50	58	88	32	8	6	2.3	3/4
32	68	178	108	98	49	25	50	58	94	36	8	6	3.0	1
40	84	204	141	118	59	45	66	75	113	45	9	8	3.7	1 1/4
50	97	237	141	135	68	45	66	75	119	51	9	8	4.6	1 1/2
63	124	296	165	176	88	45	78	87	141	65	9	8	5.8	2



PROGEF Standard metric

Ball valves electric

PROGEF Standard
3-Way ball valve type 186
Horizontal/L-port 100-230V
With manual emergency override
With fusion sockets metric



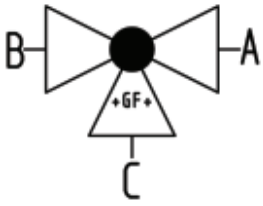
Model:

- Material: PP-H
- Built on with electric actuator EA21
- Voltage 100-230 V, 50-60 Hz
- Control range 90°<
- Basic position A-C opened, activated position B-C opened, see flow scheme
- Other positions possible by adjusting the limit switches
- Control time 5 s/90°<
- For easy installation and removal
- Integrated stainless steel mounting inserts

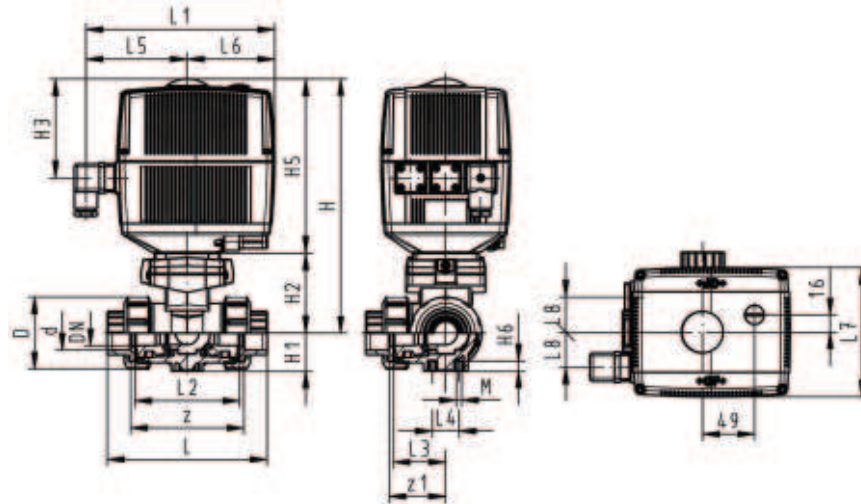
d [mm]	DN [mm]	PN	kv-value (Δp=1 bar) [l/min]	EPDM Code	FPM Code
16	10	10	50	199 186 022	199 186 032
20	15	10	75	199 186 023	199 186 033
25	20	10	150	199 186 024	199 186 034
32	25	10	280	199 186 025	199 186 035
40	32	10	480	199 186 026	199 186 036
50	40	10	620	199 186 027	199 186 037
63	50	10	1230	199 186 028	199 186 038

d [mm]	D [mm]	H [mm]	H1 [mm]	H2 [mm]	H3 [mm]	H5 [mm]	H6 [mm]	L [mm]	L1 [mm]	L2 [mm]	L3 [mm]	L4 [mm]	L5 [mm]	L6 [mm]	L7 [mm]
16	50	231	28	64	94	167	8	110	180	72	36	25	97	83	122
20	50	231	28	64	94	167	8	112	180	72	36	25	97	83	122
25	58	240	32	73	94	167	8	129	180	85	43	25	97	83	122
32	68	240	36	73	94	167	8	146	180	98	49	25	97	83	122
40	84	251	45	84	94	167	9	170	180	118	59	45	97	83	122
50	97	251	51	84	94	167	9	193	180	135	68	45	97	83	122
63	124	273	65	106	94	167	9	244	180	176	88	45	97	83	122

PROGEF Standard metric



d [mm]	L8 [mm]	M	z [mm]	z1 [mm]	closest inch
16	33	6	82	41	3/8
20	33	6	82	41	1/2
25	33	6	97	49	3/4
32	33	6	110	55	1
40	33	8	132	66	1 1/4
50	33	8	151	76	1 1/2
63	33	8	188	94	2

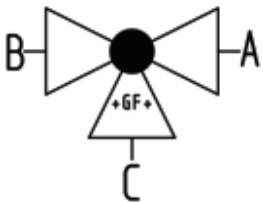


PROGEF Standard 3-Way ball valve type 186 Horizontal/L-port 100-230V With manual emergency override With threaded sockets Rp reinforced



Model:

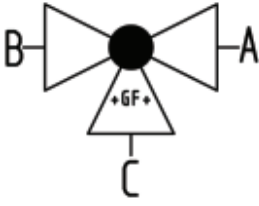
- Material: PP-H
- Built on with electric actuator EA21
- Voltage 100-230 V, 50-60 Hz
- Control range 90°<
- Basic position A-C opened, activated position B-C opened, see flow scheme
- Other positions possible by adjusting the limit switches
- Control time 5 s/90°<
- For easy installation and removal
- Integrated stainless steel mounting inserts



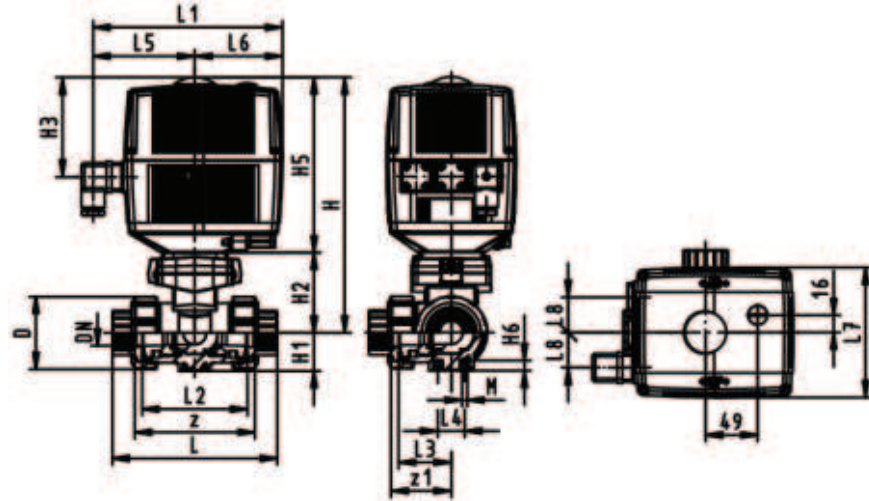
Rp [inch]	DN [mm]	PN	kv-value (Δp=1 bar) [l/min]	EPDM Code	FPM Code
3/8	10	10	50	199 186 122	199 186 132
1/2	15	10	75	199 186 123	199 186 133
3/4	20	10	150	199 186 124	199 186 134
1	25	10	280	199 186 125	199 186 135
1 1/4	32	10	480	199 186 126	199 186 136
1 1/2	40	10	620	199 186 127	199 186 137
2	50	10	1230	199 186 128	199 186 138

Rp [inch]	D [mm]	H [mm]	H1 [mm]	H2 [mm]	H3 [mm]	H5 [mm]	H6 [mm]	L [mm]	L1 [mm]	L2 [mm]	L3 [mm]	L4 [mm]	L5 [mm]	L6 [mm]	L7 [mm]
3/8	50	231	28	64	94	167	8	112	180	72	36	25	97	83	122
1/2	50	231	28	64	94	167	8	114	180	72	36	25	97	83	122
3/4	58	240	32	73	94	167	8	131	180	85	43	25	97	83	122
1	68	240	36	73	94	167	8	154	180	98	49	25	97	83	122
1 1/4	84	251	45	84	94	167	9	180	180	118	59	45	97	83	122
1 1/2	97	251	51	84	94	167	9	203	180	135	68	45	97	83	122
2	124	273	65	106	94	167	9	258	180	176	88	45	97	83	122

PROGEF Standard metric



Rp [inch]	L8 [mm]	M	z [mm]	z1 [mm]
3/8	33	6	86	43
1/2	33	6	84	42
3/4	33	6	99	50
1	33	6	112	56
1 1/4	33	8	132	66
1 1/2	33	8	153	77
2	33	8	196	98

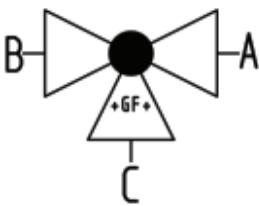


PROGEF Standard 3-Way ball valve type 186 Horizontal/L-port 100-230V With manual emergency override With socket fusion spigots metric



Model:

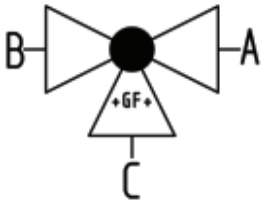
- Material: PP-H
- Built on with electric actuator EA21
- Voltage 100-230 V, 50-60 Hz
- Control range 90°<
- Basic position A-C opened, activated position B-C opened, see flow scheme
- Other positions possible by adjusting the limit switches
- Control time 5 s/90°<
- For easy installation and removal
- Integrated stainless steel mounting inserts



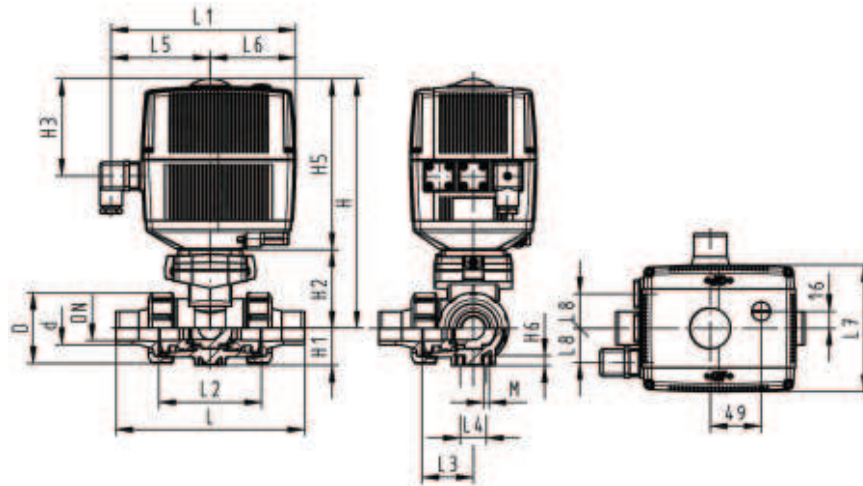
d [mm]	DN [mm]	PN	kv-value (Δp=1 bar) [l/min]	EPDM Code	FPM Code
16	10	10	50	199 186 002	199 186 012
20	15	10	75	199 186 003	199 186 013
25	20	10	150	199 186 004	199 186 014
32	25	10	280	199 186 005	199 186 015
40	32	10	480	199 186 006	199 186 016
50	40	10	620	199 186 007	199 186 017
63	50	10	1230	199 186 008	199 186 018

d [mm]	D [mm]	H [mm]	H1 [mm]	H2 [mm]	H3 [mm]	H5 [mm]	H6 [mm]	L [mm]	L1 [mm]	L2 [mm]	L3 [mm]	L4 [mm]	L5 [mm]	L6 [mm]	L7 [mm]
16	50	231	28	64	94	167	8	126	180	72	36	25	97	83	122
20	50	231	28	64	94	167	8	136	180	72	36	25	97	83	122
25	58	240	32	73	94	167	8	159	180	85	43	25	97	83	122
32	68	240	36	73	94	167	8	178	180	98	49	25	97	83	122
40	84	251	45	84	94	167	9	204	180	118	59	45	97	83	122
50	97	251	51	84	94	167	9	237	180	135	68	45	97	83	122
63	124	273	65	106	94	167	9	296	180	176	88	45	97	83	122

PROGEF Standard metric



d [mm]	L8 [mm]	M	closest inch
16	33	6	3/8
20	33	6	1/2
25	33	6	3/4
32	33	6	1
40	33	8	1 1/4
50	33	8	1 1/2
63	33	8	2

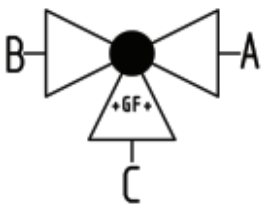


PROGEF Standard 3-Way ball valve type 186 Horizontal/L-port 100-230V With manual emergency override With butt fusion spigots IR-Plus SDR11 metric



Model:

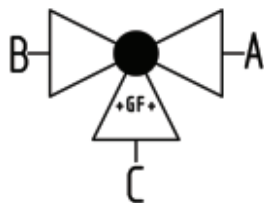
- Material: PP-H
- Built on with electric actuator EA21
- Voltage 100-230 V, 50-60 Hz
- Control range 90°<
- Basic position A-C opened, activated position B-C opened, see flow scheme
- Other positions possible by adjusting the limit switches
- Control time 5 s/90°<
- For easy installation and removal
- Integrated stainless steel mounting inserts



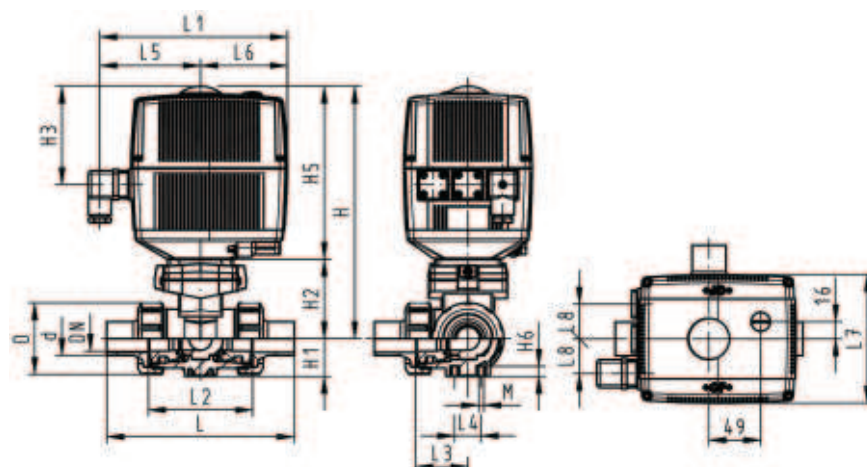
d [mm]	DN [mm]	PN	kv-value (Δp=1 bar) [l/min]	EPDM Code	FPM Code
20	15	10	75	199 186 083	199 186 093
25	20	10	150	199 186 084	199 186 094
32	25	10	280	199 186 085	199 186 095
40	32	10	480	199 186 086	199 186 096
50	40	10	620	199 186 087	199 186 097
63	50	10	1230	199 186 088	199 186 098

d [mm]	D [mm]	H [mm]	H1 [mm]	H2 [mm]	H3 [mm]	H5 [mm]	H6 [mm]	L [mm]	L1 [mm]	L2 [mm]	L3 [mm]	L4 [mm]	L5 [mm]	L6 [mm]	L7 [mm]
20	50	231	28	64	94	167	8	146	180	72	36	25	97	83	122
25	58	240	32	73	94	167	8	163	180	85	43	25	97	83	122
32	68	240	36	73	94	167	8	178	180	98	49	25	97	83	122
40	84	251	45	84	94	167	9	204	180	118	59	45	97	83	122
50	97	251	51	84	94	167	9	237	180	135	68	45	97	83	122
63	124	273	65	106	94	167	9	296	180	176	88	45	97	83	122

PROGEF Standard metric



d [mm]	L8 [mm]	M	closest inch
20	33	6	1/2
25	33	6	3/4
32	33	6	1
40	33	8	1 1/4
50	33	8	1 1/2
63	33	8	2

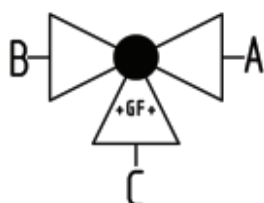


PROGEF Standard 3-Way ball valve type 186 Horizontal/L-port 24V With manual emergency override With fusion sockets metric



Model:

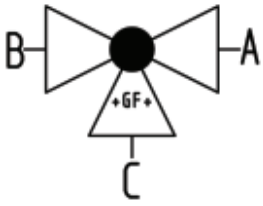
- Material: PP-H
- Built on with electric actuator EA21
- Voltage 24 V AC/DC
- Control range 90°<
- Basic position A-C opened, activated position B-C opened, see flow scheme
- Other positions possible by adjusting the limit switches
- Control time 5 s/90°<
- For easy installation and removal
- Integrated stainless steel mounting inserts



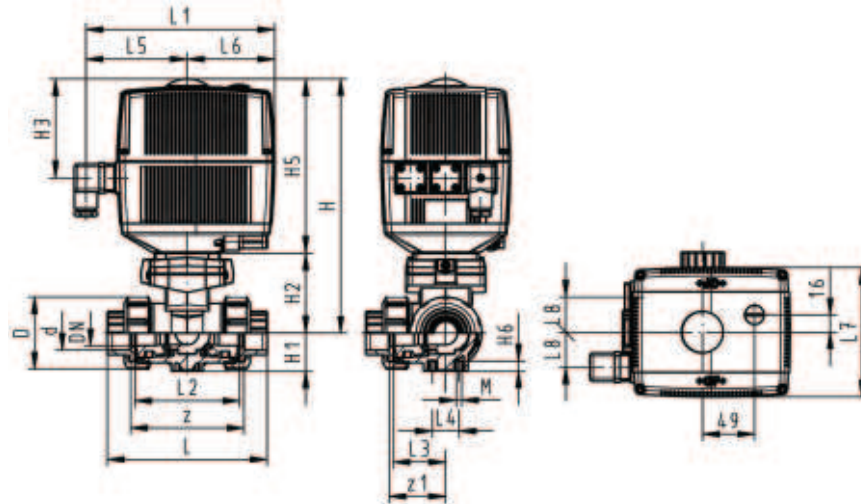
d [mm]	DN [mm]	PN	kv-value (Δp=1 bar) [l/min]	EPDM Code	FPM Code
16	10	10	50	199 186 182	199 186 192
20	15	10	75	199 186 183	199 186 193
25	20	10	150	199 186 184	199 186 194
32	25	10	280	199 186 185	199 186 195
40	32	10	480	199 186 186	199 186 196
50	40	10	620	199 186 187	199 186 197
63	50	10	1230	199 186 188	199 186 198

d [mm]	D [mm]	H [mm]	H1 [mm]	H2 [mm]	H3 [mm]	H5 [mm]	H6 [mm]	L [mm]	L1 [mm]	L2 [mm]	L3 [mm]	L4 [mm]	L5 [mm]	L6 [mm]	L7 [mm]
16	50	231	28	64	94	167	8	110	180	72	36	25	97	83	122
20	50	231	28	64	94	167	8	112	180	72	36	25	97	83	122
25	58	240	32	73	94	167	8	129	180	85	43	25	97	83	122
32	68	240	36	73	94	167	8	146	180	98	49	25	97	83	122
40	84	251	45	84	94	167	9	170	180	118	59	45	97	83	122
50	97	251	51	84	94	167	9	193	180	135	68	45	97	83	122
63	124	273	65	106	94	167	9	244	180	176	88	45	97	83	122

PROGEF Standard metric



d [mm]	L8 [mm]	M	z [mm]	z1 [mm]	closest inch
16	33	6	82	41	3/8
20	33	6	82	41	1/2
25	33	6	97	49	3/4
32	33	6	110	55	1
40	33	8	132	66	1 1/4
50	33	8	151	76	1 1/2
63	33	8	188	94	2

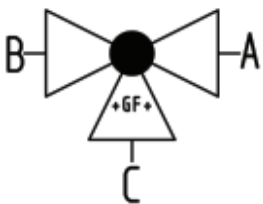


PROGEF Standard 3-Way ball valve type 186 Horizontal/L-port 24V With manual emergency override With threaded sockets Rp reinforced



Model:

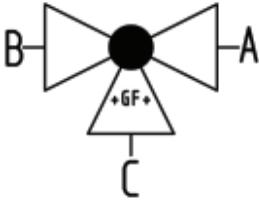
- Material: PP-H
- Built on with electric actuator EA21
- Voltage 24 V AC/DC
- Control range 90°<
- Basic position A-C opened, activated position B-C opened, see flow scheme
- Other positions possible by adjusting the limit switches
- Control time 5 s/90°<
- For easy installation and removal
- Integrated stainless steel mounting inserts



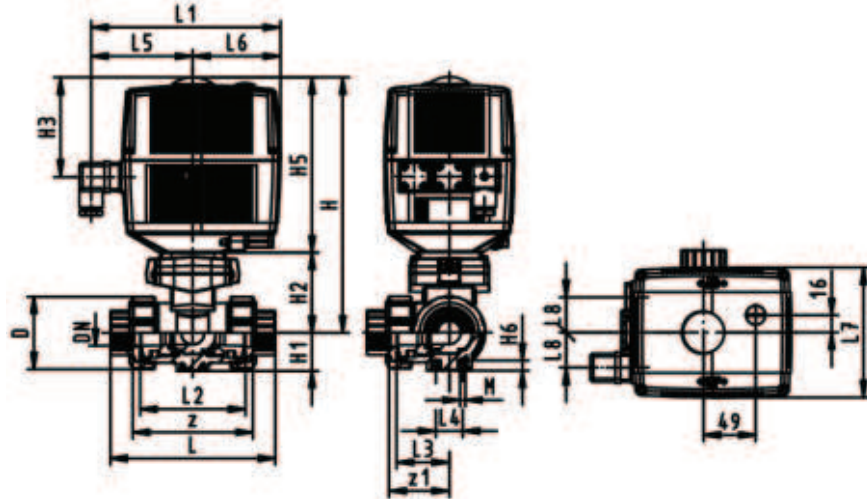
Rp [inch]	DN [mm]	PN	kv-value (Δp=1 bar) [l/min]	EPDM Code	FPM Code
3/8	10	10	50	199 186 282	199 186 292
1/2	15	10	75	199 186 283	199 186 293
3/4	20	10	150	199 186 284	199 186 294
1	25	10	280	199 186 285	199 186 295
1 1/4	32	10	480	199 186 286	199 186 296
1 1/2	40	10	620	199 186 287	199 186 297
2	50	10	1230	199 186 288	199 186 298

Rp [inch]	D [mm]	H [mm]	H1 [mm]	H2 [mm]	H3 [mm]	H5 [mm]	H6 [mm]	L [mm]	L1 [mm]	L2 [mm]	L3 [mm]	L4 [mm]	L5 [mm]	L6 [mm]	L7 [mm]
3/8	50	231	28	64	94	167	8	112	180	72	36	25	97	83	122
1/2	50	231	28	64	94	167	8	114	180	72	36	25	97	83	122
3/4	58	240	32	73	94	167	8	131	180	85	43	25	97	83	122
1	68	240	36	73	94	167	8	154	180	98	49	25	97	83	122
1 1/4	84	251	45	84	94	167	9	180	180	118	59	45	97	83	122
1 1/2	97	251	51	84	94	167	9	203	180	135	68	45	97	83	122
2	124	273	65	106	94	167	9	258	180	176	88	45	97	83	122

PROGEF Standard metric



Rp [inch]	L8 [mm]	M	z [mm]	z1 [mm]
3/8	33	6	86	43
1/2	33	6	84	42
3/4	33	6	99	50
1	33	6	112	56
1 1/4	33	8	132	66
1 1/2	33	8	153	77
2	33	8	196	98

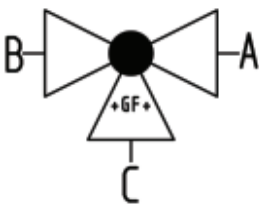


PROGEF Standard 3-Way ball valve type 186 Horizontal/L-port 24V With manual emergency override With socket fusion spigots metric



Model:

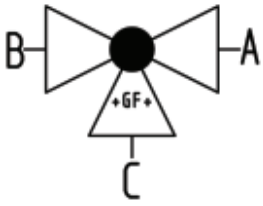
- Material: PP-H
- Built on with electric actuator EA21
- Voltage 24 V AC/DC
- Control range 90°<
- Basic position A-C opened, activated position B-C opened, see flow scheme
- Other positions possible by adjusting the limit switches
- Control time 5 s/90°<
- For easy installation and removal
- Integrated stainless steel mounting inserts



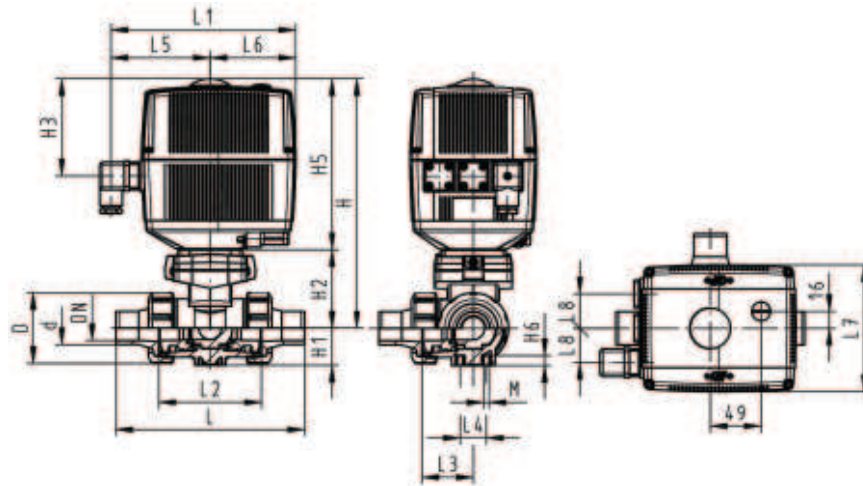
d [mm]	DN [mm]	PN	kv-value (Δp=1 bar) [l/min]	EPDM Code	FPM Code
16	10	10	50	199 186 162	199 186 172
20	15	10	75	199 186 163	199 186 173
25	20	10	150	199 186 164	199 186 174
32	25	10	280	199 186 165	199 186 175
40	32	10	480	199 186 166	199 186 176
50	40	10	620	199 186 167	199 186 177
63	50	10	1230	199 186 168	199 186 178

d [mm]	D [mm]	H [mm]	H1 [mm]	H2 [mm]	H3 [mm]	H5 [mm]	H6 [mm]	L [mm]	L1 [mm]	L2 [mm]	L3 [mm]	L4 [mm]	L5 [mm]	L6 [mm]	L7 [mm]
16	50	231	28	64	94	167	8	126	180	72	36	25	97	83	122
20	50	231	28	64	94	167	8	136	180	72	36	25	97	83	122
25	58	240	32	73	94	167	8	159	180	85	43	25	97	83	122
32	68	240	36	73	94	167	8	178	180	98	49	25	97	83	122
40	84	251	45	84	94	167	9	204	180	118	59	45	97	83	122
50	97	251	51	84	94	167	9	237	180	135	68	45	97	83	122
63	124	273	65	106	94	167	9	296	180	176	88	45	97	83	122

PROGEF Standard metric



d [mm]	L8 [mm]	M	closest inch
16	33	6	3/8
20	33	6	1/2
25	33	6	3/4
32	33	6	1
40	33	8	1 1/4
50	33	8	1 1/2
63	33	8	2

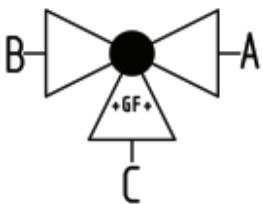


PROGEF Standard 3-Way ball valve type 186 Horizontal/L-port 24V With manual emergency override With butt fusion spigots IR-Plus SDR11 metric



Model:

- Material: PP-H
- Built on with electric actuator EA21
- Voltage 24 V AC/DC
- Control range 90°<
- Basic position A-C opened, activated position B-C opened, see flow scheme
- Other positions possible by adjusting the limit switches
- Control time 5 s/90°<
- For easy installation and removal
- Integrated stainless steel mounting inserts

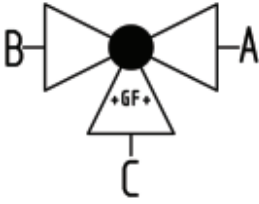


d [mm]	DN [mm]	PN	kv-value (Δp=1 bar) [l/min]	EPDM Code	FPM Code
20	15	10	75	199 186 243	199 186 253
25	20	10	150	199 186 244	199 186 254
32	25	10	280	199 186 245	199 186 255
40	32	10	480	199 186 246	199 186 256
50	40	10	620	199 186 247	199 186 257
63	50	10	1230	199 186 248	199 186 258

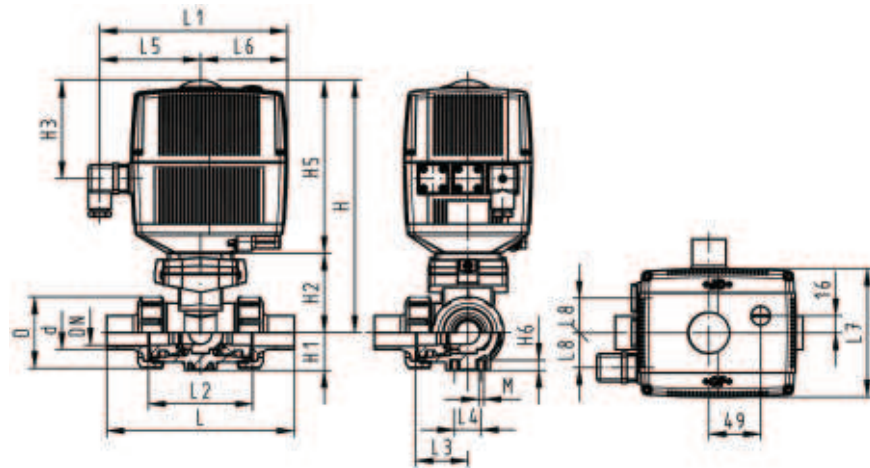


d [mm]	D [mm]	H [mm]	H1 [mm]	H2 [mm]	H3 [mm]	H5 [mm]	H6 [mm]	L [mm]	L1 [mm]	L2 [mm]	L3 [mm]	L4 [mm]	L5 [mm]	L6 [mm]	L7 [mm]
20	50	231	28	64	94	167	8	146	180	72	36	25	97	83	122
25	58	240	32	73	94	167	8	163	180	85	43	25	97	83	122
32	68	240	36	73	94	167	8	178	180	98	49	25	97	83	122
40	84	251	45	84	94	167	9	204	180	118	59	45	97	83	122
50	97	251	51	84	94	167	9	237	180	135	68	45	97	83	122
63	124	273	65	106	94	167	9	296	180	176	88	45	97	83	122

PROGEF Standard metric



d [mm]	L8 [mm]	M	closest inch
20	33	6	1/2
25	33	6	3/4
32	33	6	1
40	33	8	1 1/4
50	33	8	1 1/2
63	33	8	2

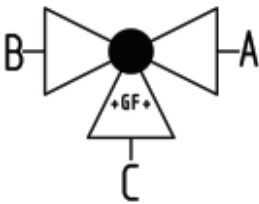


PROGEF Standard 3-Way ball valve type 186 Horizontal/T-port 100-230V With manual emergency override With fusion sockets metric



Model:

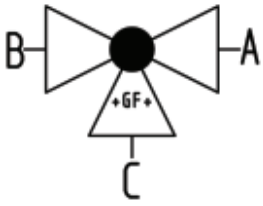
- Material: PP-H
- Built on with electric actuator EA21
- Voltage 100-230 V, 50-60 Hz
- Control range 90°<
- Basic position A-B-C opened, activated position B-C opened, see flow scheme
- Other positions possible by adjusting the limit switches
- Control time 5 s/90°<
- For easy installation and removal
- Integrated stainless steel mounting inserts



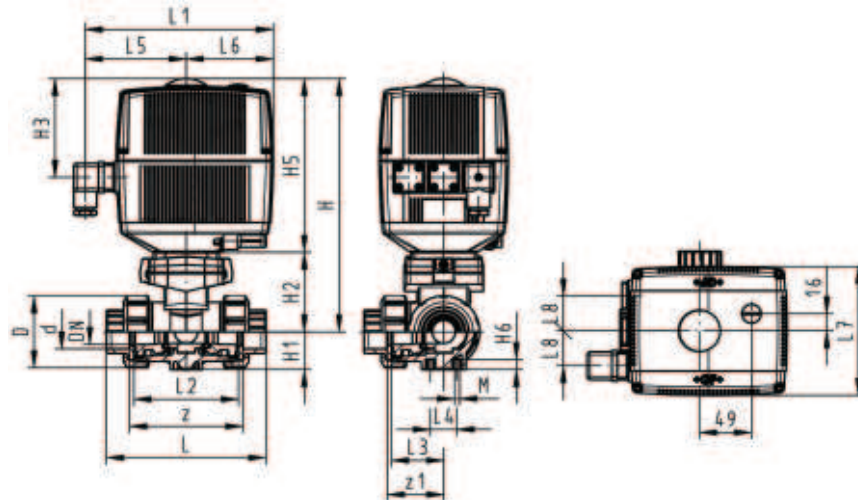
d [mm]	DN [mm]	PN	kv-value (Δp=1 bar) [l/min]	EPDM Code	FPM Code
16	10	10	140	199 186 062	199 186 072
20	15	10	200	199 186 063	199 186 073
25	20	10	470	199 186 064	199 186 074
32	25	10	793	199 186 065	199 186 075
40	32	10	1290	199 186 066	199 186 076
50	40	10	1910	199 186 067	199 186 077
63	50	10	3100	199 186 068	199 186 078

d [mm]	D [mm]	H [mm]	H1 [mm]	H2 [mm]	H3 [mm]	H5 [mm]	H6 [mm]	L [mm]	L1 [mm]	L2 [mm]	L3 [mm]	L4 [mm]	L5 [mm]	L6 [mm]	L7 [mm]
16	50	231	28	64	94	167	8	110	180	72	36	25	97	83	122
20	50	231	28	64	94	167	8	112	180	72	36	25	97	83	122
25	58	240	32	73	94	167	8	129	180	85	43	25	97	83	122
32	68	240	36	73	94	167	8	146	180	98	49	25	97	83	122
40	84	251	45	84	94	167	9	170	180	118	59	45	97	83	122
50	97	251	51	84	94	167	9	193	180	135	68	45	97	83	122
63	124	273	65	106	94	167	9	244	180	176	88	45	97	83	122

PROGEF Standard metric



d [mm]	L8 [mm]	M	z [mm]	z1 [mm]	closest inch
16	33	6	82	41	3/8
20	33	6	82	41	1/2
25	33	6	97	49	3/4
32	33	6	110	55	1
40	33	8	132	66	1 1/4
50	33	8	151	76	1 1/2
63	33	8	188	94	2

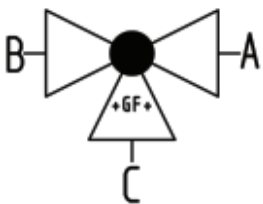


PROGEF Standard 3-Way ball valve type 186 Horizontal/T-port 100-230V With manual emergency override With threaded sockets Rp reinforced



Model:

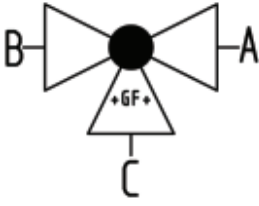
- Material: PP-H
- Built on with electric actuator EA21
- Voltage 100-230 V, 50-60 Hz
- Control range 90°<
- Basic position A-B-C opened, activated position B-C opened, see flow scheme
- Other positions possible by adjusting the limit switches
- Control time 5 s/90°<
- For easy installation and removal
- Integrated stainless steel mounting inserts



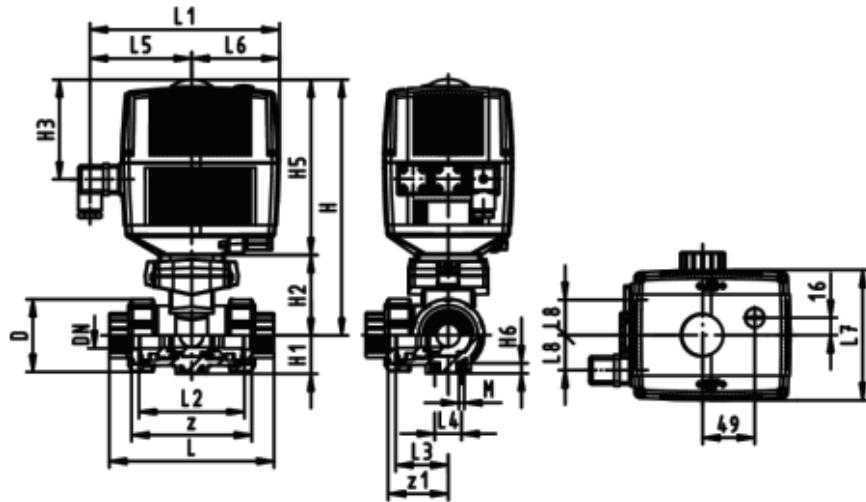
Rp [inch]	DN [mm]	PN	kv-value (Δp=1 bar) [l/min]	EPDM Code	FPM Code
3/8	10	10	140	199 186 142	199 186 152
1/2	15	10	200	199 186 143	199 186 153
3/4	20	10	470	199 186 144	199 186 154
1	25	10	793	199 186 145	199 186 155
1 1/4	32	10	1290	199 186 146	199 186 156
1 1/2	40	10	1910	199 186 147	199 186 157
2	50	10	3100	199 186 148	199 186 158

Rp [inch]	D [mm]	H [mm]	H1 [mm]	H2 [mm]	H3 [mm]	H5 [mm]	H6 [mm]	L [mm]	L1 [mm]	L2 [mm]	L3 [mm]	L4 [mm]	L5 [mm]	L6 [mm]	L7 [mm]
3/8	50	231	28	64	94	167	8	112	180	72	36	25	97	83	122
1/2	50	231	28	64	94	167	8	114	180	72	36	25	97	83	122
3/4	58	240	32	73	94	167	8	131	180	85	43	25	97	83	122
1	68	240	36	73	94	167	8	154	180	98	49	25	97	83	122
1 1/4	84	251	45	84	94	167	9	180	180	118	59	45	97	83	122
1 1/2	97	251	51	84	94	167	9	203	180	135	68	45	97	83	122
2	124	273	65	106	94	167	9	258	180	176	88	45	97	83	122

PROGEF Standard metric



Rp [inch]	L8 [mm]	M	z [mm]	z1 [mm]
3/8	33	6	86	43
1/2	33	6	84	42
3/4	33	6	99	50
1	33	6	112	56
1 1/4	33	8	132	66
1 1/2	33	8	153	77
2	33	8	196	98

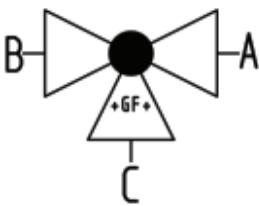


PROGEF Standard 3-Way ball valve type 186 Horizontal/T-port 100-230V With manual emergency override With socket fusion spigots metric



Model:

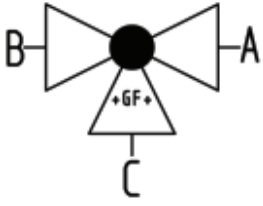
- Material: PP-H
- Built on with electric actuator EA21
- Voltage 100-230 V, 50-60 Hz
- Control range 90°<
- Basic position A-B-C opened, activated position B-C opened, see flow scheme
- Other positions possible by adjusting the limit switches
- Control time 5 s/90°<
- For easy installation and removal
- Integrated stainless steel mounting inserts



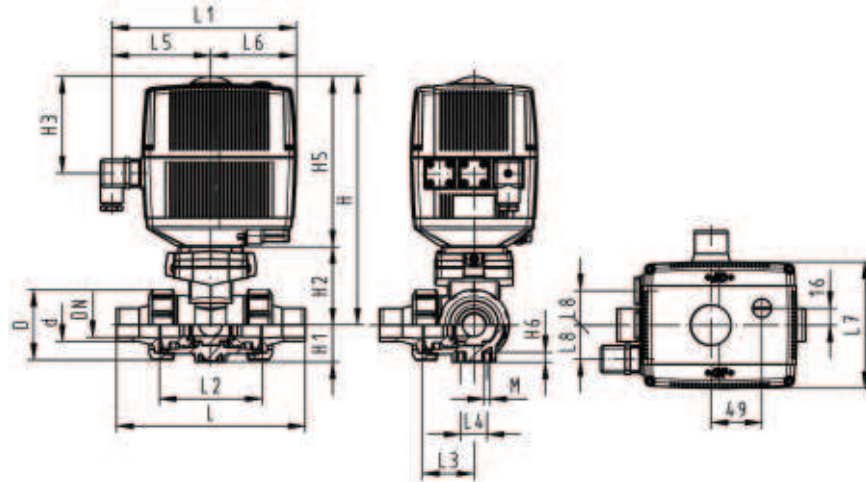
d [mm]	DN [mm]	PN	kv-value (Δp=1 bar) [l/min]	EPDM Code	FPM Code
16	10	10	140	199 186 042	199 186 052
20	15	10	200	199 186 043	199 186 053
25	20	10	470	199 186 044	199 186 054
32	25	10	793	199 186 045	199 186 055
40	32	10	1290	199 186 046	199 186 056
50	40	10	1910	199 186 047	199 186 057
63	50	10	3100	199 186 048	199 186 058

d [mm]	D [mm]	H [mm]	H1 [mm]	H2 [mm]	H3 [mm]	H5 [mm]	H6 [mm]	L [mm]	L1 [mm]	L2 [mm]	L3 [mm]	L4 [mm]	L5 [mm]	L6 [mm]	L7 [mm]
16	50	231	28	64	94	167	8	126	180	72	36	25	97	83	122
20	50	231	28	64	94	167	8	136	180	72	36	25	97	83	122
25	58	240	32	73	94	167	8	159	180	85	43	25	97	83	122
32	68	240	36	73	94	167	8	178	180	98	49	25	97	83	122
40	84	251	45	84	94	167	9	204	180	118	59	45	97	83	122
50	97	251	51	84	94	167	9	237	180	135	68	45	97	83	122
63	124	273	65	106	94	167	9	296	180	176	88	45	97	83	122

PROGEF Standard metric



d [mm]	L8 [mm]	M	closest inch
16	33	6	3/8
20	33	6	1/2
25	33	6	3/4
32	33	6	1
40	33	8	1 1/4
50	33	8	1 1/2
63	33	8	2

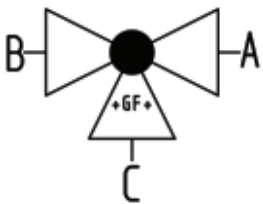


PROGEF Standard 3-Way ball valve type 186 Horizontal/T-port 100-230V With manual emergency override With butt fusion spigots IR-Plus SDR11 metric



Model:

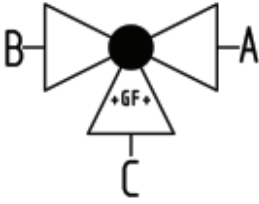
- Material: PP-H
- Built on with electric actuator EA21
- Voltage 100-230 V, 50-60 Hz
- Control range 90°<
- Basic position A-B-C opened, activated position B-C opened, see flow scheme
- Other positions possible by adjusting the limit switches
- Control time 5 s/90°<
- For easy installation and removal
- Integrated stainless steel mounting inserts



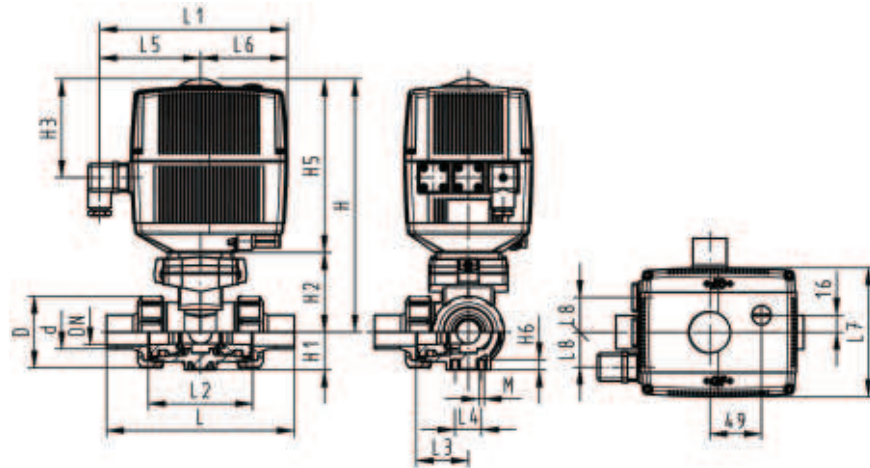
d [mm]	DN [mm]	PN	kv-value (Δp=1 bar) [l/min]	EPDM Code	FPM Code
20	15	10	200	199 186 103	199 186 113
25	20	10	470	199 186 104	199 186 114
32	25	10	793	199 186 105	199 186 115
40	32	10	1290	199 186 106	199 186 116
50	40	10	1910	199 186 107	199 186 117
63	50	10	3100	199 186 108	199 186 118

d [mm]	D [mm]	H [mm]	H1 [mm]	H2 [mm]	H3 [mm]	H5 [mm]	H6 [mm]	L [mm]	L1 [mm]	L2 [mm]	L3 [mm]	L4 [mm]	L5 [mm]	L6 [mm]	L7 [mm]
20	50	231	28	64	94	167	8	146	180	72	36	25	97	83	122
25	58	240	32	73	94	167	8	163	180	85	43	25	97	83	122
32	68	240	36	73	94	167	8	178	180	98	49	25	97	83	122
40	84	251	45	84	94	167	9	204	180	118	59	45	97	83	122
50	97	251	51	84	94	167	9	237	180	135	68	45	97	83	122
63	124	273	65	106	94	167	9	296	180	176	88	45	97	83	122

PROGEF Standard metric



d [mm]	L8 [mm]	M	closest inch
20	33	6	1/2
25	33	6	3/4
32	33	6	1
40	33	8	1 1/4
50	33	8	1 1/2
63	33	8	2

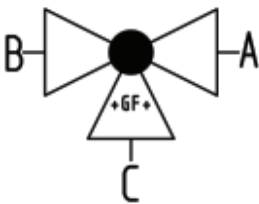


PROGEF Standard 3-Way ball valve type 186 Horizontal/T-port 24V With manual emergency override With fusion sockets metric



Model:

- Material: PP-H
- Built on with electric actuator EA21
- Voltage 24 V AC/DC
- Control range 90°<
- Basic position A-B-C opened, activated position B-C opened, see flow scheme
- Other positions possible by adjusting the limit switches
- Control time 5 s/90°<
- For easy installation and removal
- Integrated stainless steel mounting inserts

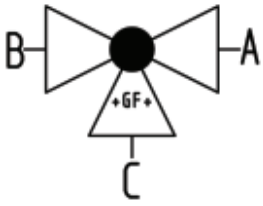


d [mm]	DN [mm]	PN	kv-value (Δp=1 bar) [l/min]	EPDM Code	FPM Code
16	10	10	140	199 186 222	199 186 232
20	15	10	200	199 186 223	199 186 233
25	20	10	470	199 186 224	199 186 234
32	25	10	793	199 186 225	199 186 235
40	32	10	1290	199 186 226	199 186 236
50	40	10	1910	199 186 227	199 186 237
63	50	10	3100	199 186 228	199 186 238

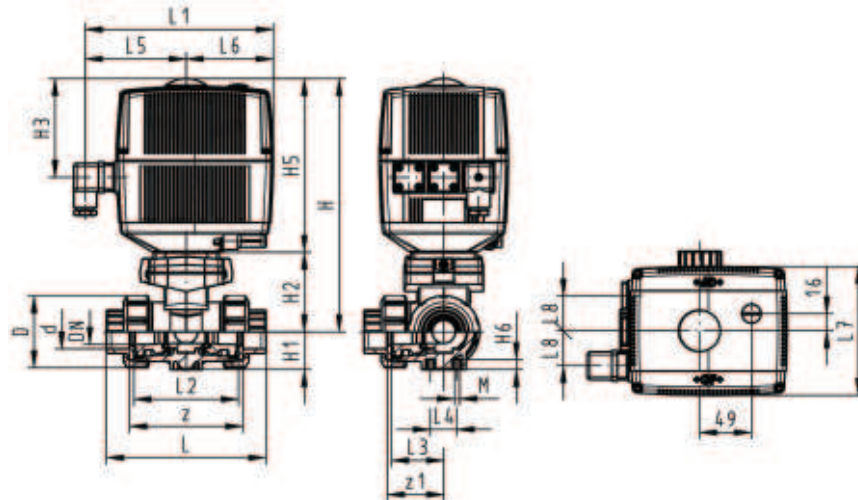


d [mm]	D [mm]	H [mm]	H1 [mm]	H2 [mm]	H3 [mm]	H5 [mm]	H6 [mm]	L [mm]	L1 [mm]	L2 [mm]	L3 [mm]	L4 [mm]	L5 [mm]	L6 [mm]	L7 [mm]
16	50	231	28	64	94	167	8	110	180	72	36	25	97	83	122
20	50	231	28	64	94	167	8	112	180	72	36	25	97	83	122
25	58	240	32	73	94	167	8	129	180	85	43	25	97	83	122
32	68	240	36	73	94	167	8	146	180	98	49	25	97	83	122
40	84	251	45	84	94	167	9	170	180	118	59	45	97	83	122
50	97	251	51	84	94	167	9	193	180	135	68	45	97	83	122
63	124	273	65	106	94	167	9	244	180	176	88	45	97	83	122

PROGEF Standard metric



d [mm]	L8 [mm]	M	z [mm]	z1 [mm]	closest inch
16	33	6	82	41	3/8
20	33	6	82	41	1/2
25	33	6	97	49	3/4
32	33	6	110	55	1
40	33	8	132	66	1 1/4
50	33	8	151	76	1 1/2
63	33	8	188	94	2

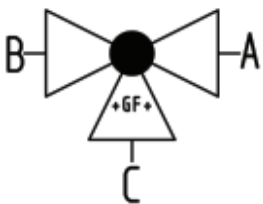


PROGEF Standard 3-Way ball valve type 186 Horizontal/T-port 24V With manual emergency override With threaded sockets Rp reinforced



Model:

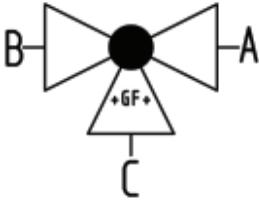
- Material: PP-H
- Built on with electric actuator EA21
- Voltage 24 V AC/DC
- Control range 90°<
- Basic position A-B-C opened, activated position B-C opened, see flow scheme
- Other positions possible by adjusting the limit switches
- Control time 5 s/90°<
- For easy installation and removal
- Integrated stainless steel mounting inserts



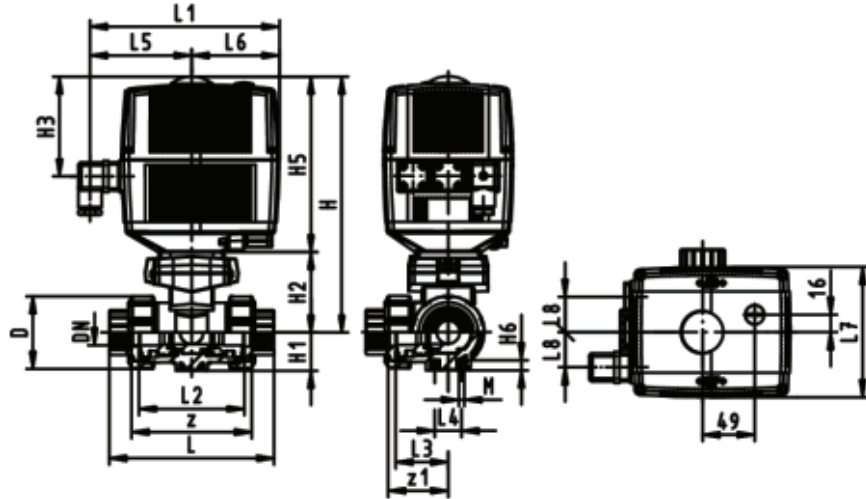
Rp [inch]	DN [mm]	PN	kv-value (Δp=1 bar) [l/min]	EPDM Code	FPM Code
3/8	10	10	140	199 186 302	199 186 312
1/2	15	10	200	199 186 303	199 186 313
3/4	20	10	470	199 186 304	199 186 314
1	25	10	793	199 186 305	199 186 315
1 1/4	32	10	1290	199 186 306	199 186 316
1 1/2	40	10	1910	199 186 307	199 186 317
2	50	10	3100	199 186 308	199 186 318

Rp [inch]	D [mm]	H [mm]	H1 [mm]	H2 [mm]	H3 [mm]	H5 [mm]	H6 [mm]	L [mm]	L1 [mm]	L2 [mm]	L3 [mm]	L4 [mm]	L5 [mm]	L6 [mm]	L7 [mm]
3/8	50	231	28	64	94	167	8	112	180	72	36	25	97	83	122
1/2	50	231	28	64	94	167	8	114	180	72	36	25	97	83	122
3/4	58	240	32	73	94	167	8	131	180	85	43	25	97	83	122
1	68	240	36	73	94	167	8	154	180	98	49	25	97	83	122
1 1/4	84	251	45	84	94	167	9	180	180	118	59	45	97	83	122
1 1/2	97	251	51	84	94	167	9	203	180	135	68	45	97	83	122
2	124	273	65	106	94	167	9	258	180	176	88	45	97	83	122

PROGEF Standard metric



Rp [inch]	L8 [mm]	M	z [mm]	z1 [mm]
3/8	33	6	86	43
1/2	33	6	84	42
3/4	33	6	99	50
1	33	6	112	56
1 1/4	33	8	132	66
1 1/2	33	8	153	77
2	33	8	196	98

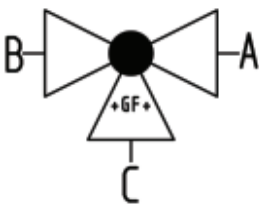


PROGEF Standard 3-Way ball valve type 186 Horizontal/T-port 24V With manual emergency override With socket fusion spigots metric



Model:

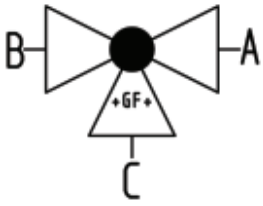
- Material: PP-H
- Built on with electric actuator EA21
- Voltage 24 V AC/DC
- Control range 90°<
- Basic position A-B-C opened, activated position B-C opened, see flow scheme
- Other positions possible by adjusting the limit switches
- Control time 5 s/90°<
- For easy installation and removal
- Integrated stainless steel mounting inserts



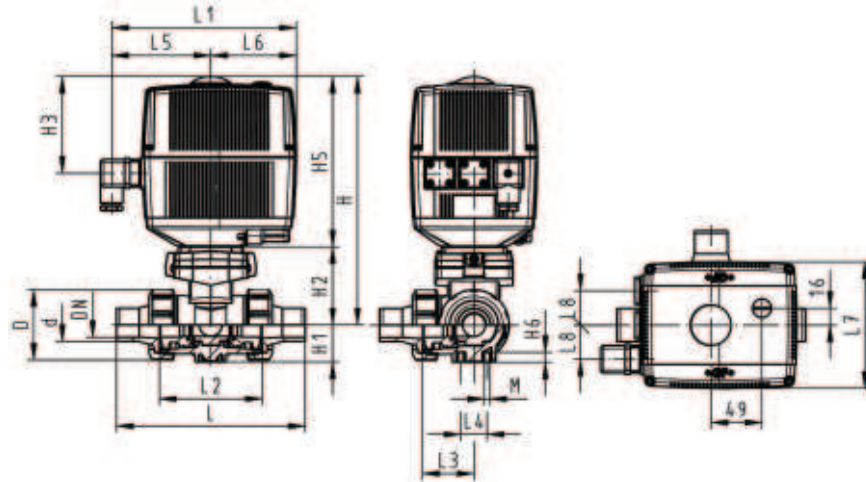
d [mm]	DN [mm]	PN	kv-value (Δp=1 bar) [l/min]	EPDM Code	FPM Code
16	10	10	140	199 186 202	199 186 212
20	15	10	200	199 186 203	199 186 213
25	20	10	470	199 186 204	199 186 214
32	25	10	793	199 186 205	199 186 215
40	32	10	1290	199 186 206	199 186 216
50	40	10	1910	199 186 207	199 186 217
63	50	10	3100	199 186 208	199 186 218

d [mm]	D [mm]	H [mm]	H1 [mm]	H2 [mm]	H3 [mm]	H5 [mm]	H6 [mm]	L [mm]	L1 [mm]	L2 [mm]	L3 [mm]	L4 [mm]	L5 [mm]	L6 [mm]	L7 [mm]
16	50	231	28	64	94	167	8	126	180	72	36	25	97	83	122
20	50	231	28	64	94	167	8	136	180	72	36	25	97	83	122
25	58	240	32	73	94	167	8	159	180	85	43	25	97	83	122
32	68	240	36	73	94	167	8	178	180	98	49	25	97	83	122
40	84	251	45	84	94	167	9	204	180	118	59	45	97	83	122
50	97	251	51	84	94	167	9	237	180	135	68	45	97	83	122
63	124	273	65	106	94	167	9	296	180	176	88	45	97	83	122

PROGEF Standard metric



d [mm]	L8 [mm]	M	closest inch
16	33	6	3/8
20	33	6	1/2
25	33	6	3/4
32	33	6	1
40	33	8	1 1/4
50	33	8	1 1/2
63	33	8	2

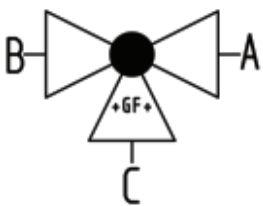


PROGEF Standard 3-Way ball valve type 186 Horizontal/T-port 24V With manual emergency override With butt fusion spigots IR-Plus SDR11 metric



Model:

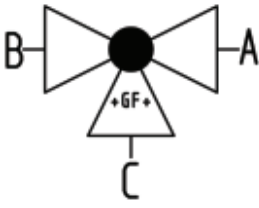
- Material: PP-H
- Built on with electric actuator EA21
- Voltage 24 V AC/DC
- Control range 90°<
- Basic position A-B-C opened, activated position B-C opened, see flow scheme
- Other positions possible by adjusting the limit switches
- Control time 5 s/90°<
- For easy installation and removal
- Integrated stainless steel mounting inserts



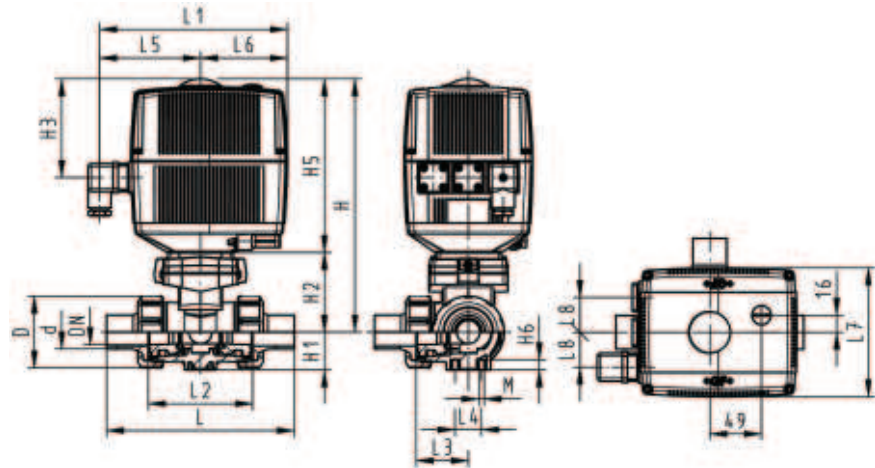
d [mm]	DN [mm]	PN	kv-value (Δp=1 bar) [l/min]	EPDM Code	FPM Code
20	15	10	200	199 186 263	199 186 273
25	20	10	470	199 186 264	199 186 274
32	25	10	793	199 186 265	199 186 275
40	32	10	1290	199 186 266	199 186 276
50	40	10	1910	199 186 267	199 186 277
63	50	10	3100	199 186 268	199 186 278

d [mm]	D [mm]	H [mm]	H1 [mm]	H2 [mm]	H3 [mm]	H5 [mm]	H6 [mm]	L [mm]	L1 [mm]	L2 [mm]	L3 [mm]	L4 [mm]	L5 [mm]	L6 [mm]	L7 [mm]
20	50	231	28	64	94	167	8	146	180	72	36	25	97	83	122
25	58	240	32	73	94	167	8	163	180	85	43	25	97	83	122
32	68	240	36	73	94	167	8	178	180	98	49	25	97	83	122
40	84	251	45	84	94	167	9	204	180	118	59	45	97	83	122
50	97	251	51	84	94	167	9	237	180	135	68	45	97	83	122
63	124	273	65	106	94	167	9	296	180	176	88	45	97	83	122

PROGEF Standard metric



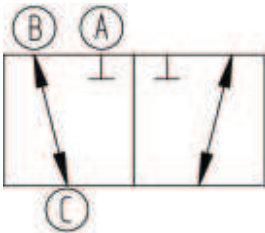
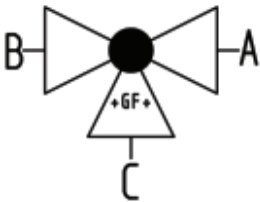
d [mm]	L8 [mm]	M	closest inch
20	33	6	1/2
25	33	6	3/4
32	33	6	1
40	33	8	1 1/4
50	33	8	1 1/2
63	33	8	2



PROGEF Standard metric

Ball valves pneumatic

PROGEF Standard
3-Way ball valve type 286
Horizontal/L-port
Without manual override
With fusion sockets metric



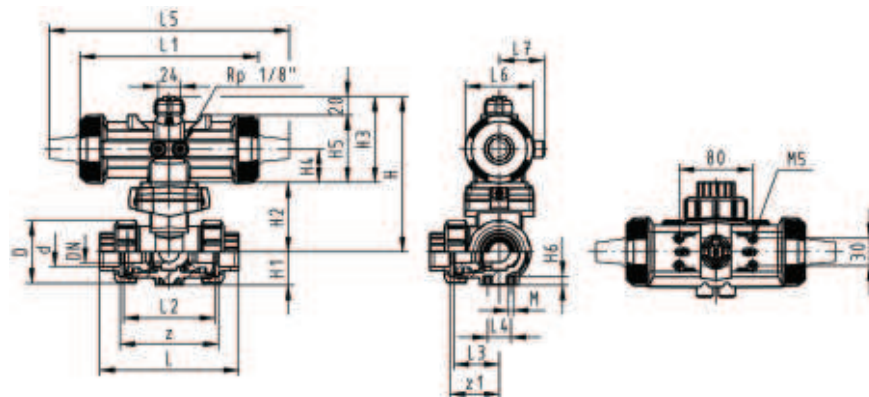
Model:

- Material: PP-H
- Built on with pneumatic actuator PA11 (DN10/15-25), PA21 (DN32-50)
- Actuator fails safe to the closed position FC
- Basic position B-C opened, activated position A-C opened, see flow scheme
- Control time 90° < 1-3 s
- For easy installation and removal
- Integrated stainless steel mounting inserts

d [mm]	DN [mm]	PN	kv-value (Δp=1 bar) [l/min]	EPDM Code	FPM Code
16	10	10	50	199 286 022	199 286 032
20	15	10	75	199 286 023	199 286 033
25	20	10	150	199 286 024	199 286 034
32	25	10	280	199 286 025	199 286 035
40	32	10	480	199 286 026	199 286 036
50	40	10	620	199 286 027	199 286 037
63	50	10	1230	199 286 028	199 286 038

d [mm]	D [mm]	H [mm]	H1 [mm]	H2 [mm]	H3 [mm]	H4 [mm]	H5 [mm]	H6 [mm]	L [mm]	L1 [mm]	L2 [mm]	L3 [mm]	L4 [mm]	L5 [mm]	L6 [mm]
16	50	159	28	62	97	40	77	8	110	194	72	36	25	261	76
20	50	159	28	62	97	40	77	8	112	194	72	36	25	261	76
25	58	168	32	71	97	40	77	8	129	194	85	43	25	261	76
32	68	168	36	71	97	40	77	8	146	194	98	49	25	261	76
40	84	203	45	84	119	51	99	9	170	224	118	59	45	305	95
50	97	203	51	84	119	51	99	9	193	224	135	68	45	305	95
63	124	225	65	106	119	51	99	9	244	224	176	88	45	305	95

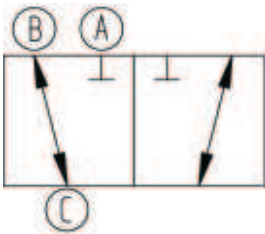
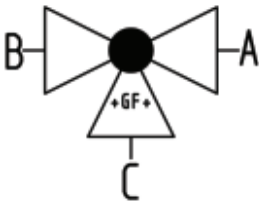
d [mm]	L7 [mm]	M	z [mm]	z1 [mm]	closest inch
16	48	6	82	41	3/8
20	48	6	82	41	1/2
25	48	6	97	49	3/4
32	48	6	110	55	1
40	59	8	132	66	1 1/4
50	59	8	151	76	1 1/2
63	59	8	188	94	2



PROGEF Standard metric



PROGEF Standard
3-Way ball valve type 286
Horizontal/L-port
Without manual override
With threaded sockets Rp reinforced



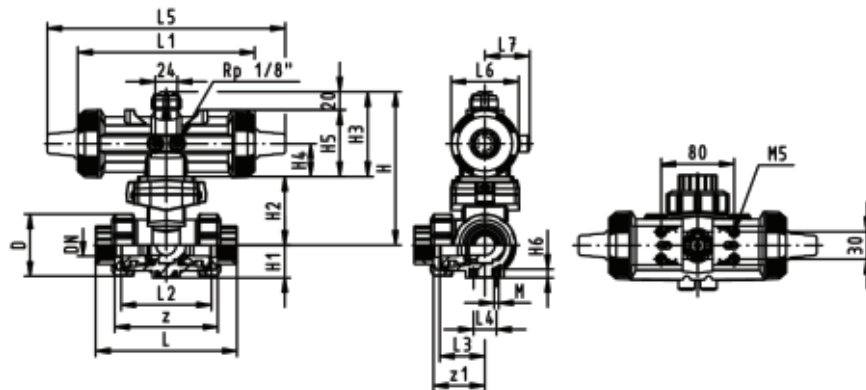
Model:

- Material: PP-H
- Built on with pneumatic actuator PA11 (DN10/15-25), PA21 (DN32-50)
- Actuator fails safe to the closed position FC
- Basic position B-C opened, activated position A-C opened, see flow scheme
- Control time 90°<) 1-3 s
- For easy installation and removal
- Integrated stainless steel mounting inserts

Rp [inch]	DN [mm]	PN	kv-value ($\Delta p=1$ bar) [l/min]	EPDM Code	FPM Code
3/8	10	10	50	199 286 122	199 286 132
1/2	15	10	75	199 286 123	199 286 133
3/4	20	10	150	199 286 124	199 286 134
1	25	10	280	199 286 125	199 286 135
1 1/4	32	10	480	199 286 126	199 286 136
1 1/2	40	10	620	199 286 127	199 286 137
2	50	10	1230	199 286 128	199 286 138

Rp [inch]	D [mm]	H [mm]	H1 [mm]	H2 [mm]	H3 [mm]	H4 [mm]	H5 [mm]	H6 [mm]	L [mm]	L1 [mm]	L2 [mm]	L3 [mm]	L4 [mm]	L5 [mm]	L6 [mm]
3/8	50	159	28	62	97	40	77	8	112	194	72	36	25	261	76
1/2	50	159	28	62	97	40	77	8	114	194	72	36	25	261	76
3/4	58	168	32	71	97	40	77	8	131	194	85	43	25	261	76
1	68	168	36	71	97	40	77	8	154	194	98	49	25	261	76
1 1/4	84	203	45	84	119	51	99	9	180	224	118	59	45	305	95
1 1/2	97	203	51	84	119	51	99	9	203	224	135	68	45	305	95
2	124	225	65	106	119	51	99	9	258	224	176	88	45	305	95

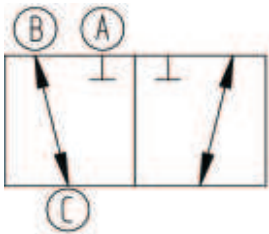
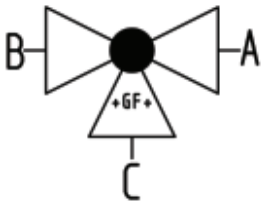
Rp [inch]	L7 [mm]	M	z [mm]	z1 [mm]
3/8	48	6	86	43
1/2	48	6	84	42
3/4	48	6	99	50
1	48	6	112	56
1 1/4	59	8	132	66
1 1/2	59	8	153	77
2	59	8	196	98



PROGEF Standard metric



PROGEF Standard 3-Way ball valve type 286 Horizontal/L-port Without manual override With socket fusion spigots metric



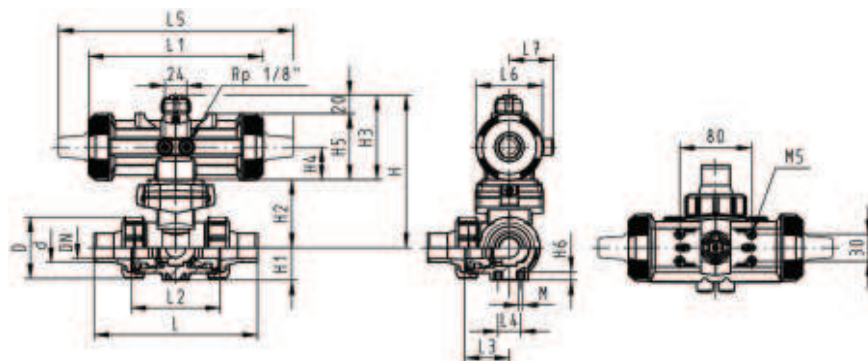
Model:

- Material: PP-H
- Built on with pneumatic actuator PA11 (DN10/15-25), PA21 (DN32-50)
- Actuator fails safe to the closed position FC
- Basic position B-C opened, activated position A-C opened, see flow scheme
- Control time $90^\circ <$ 1-3 s
- For easy installation and removal
- Integrated stainless steel mounting inserts

d [mm]	DN [mm]	PN	kv-value ($\Delta p=1$ bar) [l/min]	EPDM Code	FPM Code
16	10	10	50	199 286 002	199 286 012
20	15	10	75	199 286 003	199 286 013
25	20	10	150	199 286 004	199 286 014
32	25	10	280	199 286 005	199 286 015
40	32	10	480	199 286 006	199 286 016
50	40	10	620	199 286 007	199 286 017
63	50	10	1230	199 286 008	199 286 018

d [mm]	D [mm]	H [mm]	H1 [mm]	H2 [mm]	H3 [mm]	H4 [mm]	H5 [mm]	H6 [mm]	L [mm]	L1 [mm]	L2 [mm]	L3 [mm]	L4 [mm]	L5 [mm]	L6 [mm]
16	50	159	28	62	97	40	77	8	126	194	72	36	25	261	76
20	50	159	28	62	97	40	77	8	136	194	72	36	25	261	76
25	58	168	32	71	97	40	77	8	159	194	85	43	25	261	76
32	68	168	36	71	97	40	77	8	178	194	98	49	25	261	76
40	84	203	45	84	119	51	99	9	204	224	118	59	45	305	95
50	97	203	51	84	119	51	99	9	237	224	135	68	45	305	95
63	124	225	65	106	119	51	99	9	296	224	176	88	45	305	95

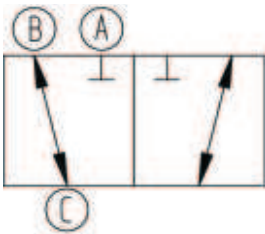
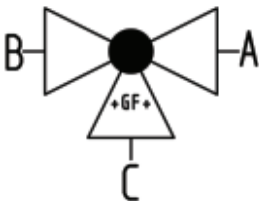
d [mm]	L7 [mm]	M	closest inch
16	48	6	$\frac{3}{8}$
20	48	6	$\frac{1}{2}$
25	48	6	$\frac{3}{4}$
32	48	6	1
40	59	8	$1 \frac{1}{4}$
50	59	8	$1 \frac{1}{2}$
63	59	8	2



PROGEF Standard metric



PROGEF Standard
3-Way ball valve type 286
Horizontal/L-port
Without manual override
With butt fusion spigots
IR-Plus SDR11 metric



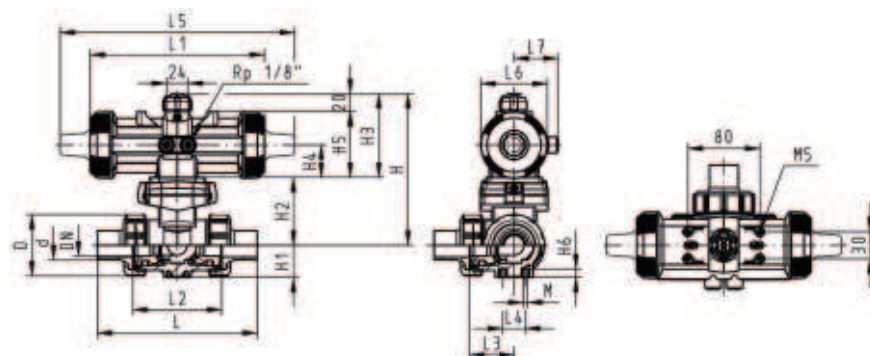
Model:

- Material: PP-H
- Built on with pneumatic actuator PA11 (DN10/15-25), PA21 (DN32-50)
- Actuator fails safe to the closed position FC
- Basic position B-C opened, activated position A-C opened, see flow scheme
- Control time 90°<) 1-3 s
- For easy installation and removal
- Integrated stainless steel mounting inserts

d [mm]	DN [mm]	PN	kv-value (Δp=1 bar) [l/min]	EPDM Code	FPM Code
20	15	10	75	199 286 083	199 286 093
25	20	10	150	199 286 084	199 286 094
32	25	10	280	199 286 085	199 286 095
40	32	10	480	199 286 086	199 286 096
50	40	10	620	199 286 087	199 286 097
63	50	10	1230	199 286 088	199 286 098

d [mm]	D [mm]	H [mm]	H1 [mm]	H2 [mm]	H3 [mm]	H4 [mm]	H5 [mm]	H6 [mm]	L [mm]	L1 [mm]	L2 [mm]	L3 [mm]	L4 [mm]	L5 [mm]	L6 [mm]
20	50	159	28	62	97	40	77	8	146	194	72	36	25	261	76
25	58	168	32	71	97	40	77	8	163	194	85	43	25	261	76
32	68	168	36	71	97	40	77	8	178	194	98	49	25	261	76
40	84	203	45	84	119	51	99	9	204	224	118	59	45	305	95
50	97	203	51	84	119	51	99	9	237	224	135	68	45	305	95
63	124	225	65	106	119	51	99	9	296	224	176	88	45	305	95

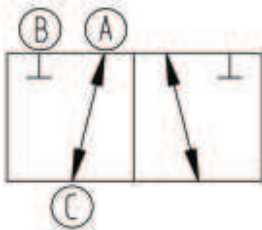
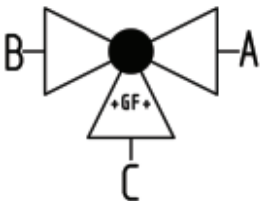
d [mm]	L7 [mm]	M	closest inch
20	48	6	1/2
25	48	6	3/4
32	48	6	1
40	59	8	1 1/4
50	59	8	1 1/2
63	59	8	2



PROGEF Standard metric



PROGEF Standard
3-Way ball valve type 286
Horizontal/L-port DA (Double acting)
Without manual override
With fusion sockets metric



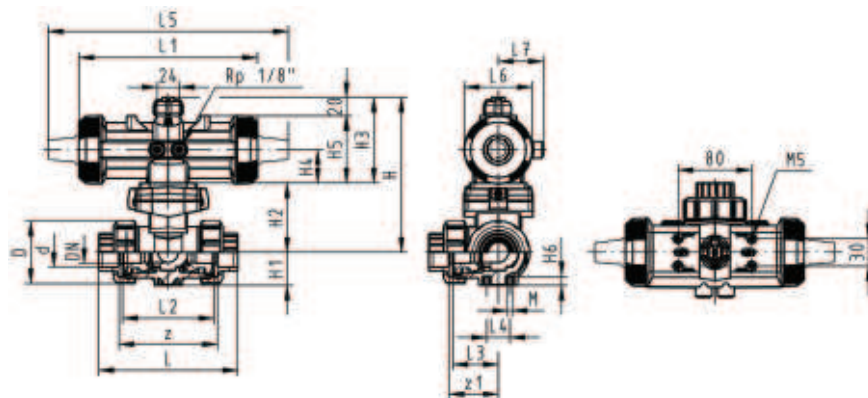
Model:

- Material: PP-H
- Built on with pneumatic actuator PA11 (DN10/15-25), PA21 (DN32-50)
- Basic position A-C opened, activated position B-C opened, see flow scheme
- Control time 90°<) 1-3 s
- For easy installation and removal
- Integrated stainless steel mounting inserts

d [mm]	DN [mm]	PN	kv-value (Δp=1 bar) [l/min]	EPDM Code	FPM Code
16	10	10	50	199 286 182	199 286 192
20	15	10	75	199 286 183	199 286 193
25	20	10	150	199 286 184	199 286 194
32	25	10	280	199 286 185	199 286 195
40	32	10	480	199 286 186	199 286 196
50	40	10	620	199 286 187	199 286 197
63	50	10	1230	199 286 188	199 286 198

d [mm]	D [mm]	H [mm]	H1 [mm]	H2 [mm]	H3 [mm]	H4 [mm]	H5 [mm]	H6 [mm]	L [mm]	L1 [mm]	L2 [mm]	L3 [mm]	L4 [mm]	L5 [mm]	L6 [mm]
16	50	159	28	62	97	40	77	8	110	194	72	36	25	261	76
20	50	159	28	62	97	40	77	8	112	194	72	36	25	261	76
25	58	168	32	71	97	40	77	8	129	194	85	43	25	261	76
32	68	168	36	71	97	40	77	8	146	194	98	49	25	261	76
40	84	203	45	84	119	51	99	9	170	224	118	59	45	305	95
50	97	203	51	84	119	51	99	9	193	224	135	68	45	305	95
63	124	225	65	106	119	51	99	9	244	224	176	88	45	305	95

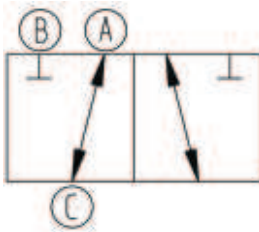
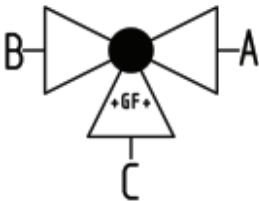
d [mm]	L7 [mm]	M	z [mm]	z1 [mm]	closest inch
16	48	6	82	41	3/8
20	48	6	82	41	1/2
25	48	6	97	49	3/4
32	48	6	110	55	1
40	59	8	132	66	1 1/4
50	59	8	151	76	1 1/2
63	59	8	188	94	2



PROGEF Standard metric



PROGEF Standard
3-Way ball valve type 286
Horizontal/L-port DA (Double acting)
Without manual override
With threaded sockets Rp reinforced



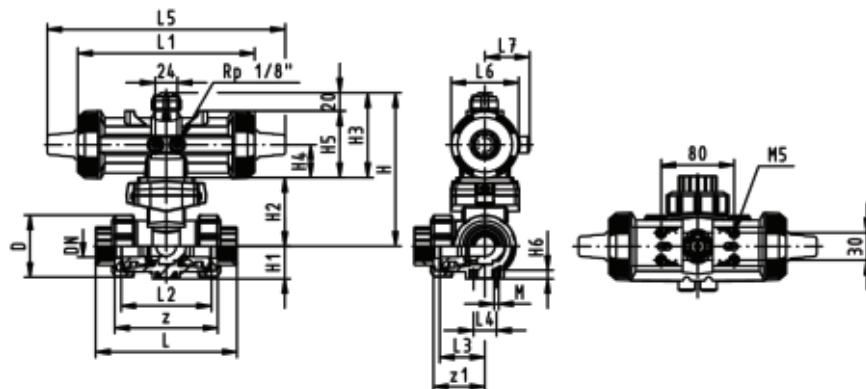
Model:

- Material: PP-H
- Built on with pneumatic actuator PA11 (DN10/15-25), PA21 (DN32-50)
- Basic position A-C opened, activated position B-C opened, see flow scheme
- Control time 90° < 1-3 s
- For easy installation and removal
- Integrated stainless steel mounting inserts

Rp [inch]	DN [mm]	PN	kv-value (Δp=1 bar) [l/min]	EPDM Code	FPM Code
3/8	10	10	50	199 286 282	199 286 292
1/2	15	10	75	199 286 283	199 286 293
3/4	20	10	150	199 286 284	199 286 294
1	25	10	280	199 286 285	199 286 295
1 1/4	32	10	480	199 286 286	199 286 296
1 1/2	40	10	620	199 286 287	199 286 297
2	50	10	1230	199 286 288	199 286 298

Rp [inch]	D [mm]	H [mm]	H1 [mm]	H2 [mm]	H3 [mm]	H4 [mm]	H5 [mm]	H6 [mm]	L [mm]	L1 [mm]	L2 [mm]	L3 [mm]	L4 [mm]	L5 [mm]	L6 [mm]
3/8	50	159	28	62	97	40	77	8	112	194	72	36	25	261	76
1/2	50	159	28	62	97	40	77	8	114	194	72	36	25	261	76
3/4	58	168	32	71	97	40	77	8	131	194	85	43	25	261	76
1	68	168	36	71	97	40	77	8	154	194	98	49	25	261	76
1 1/4	84	203	45	84	119	51	99	9	180	224	118	59	45	305	95
1 1/2	97	203	51	84	119	51	99	9	203	224	135	68	45	305	95
2	124	225	65	106	119	51	99	9	258	224	176	88	45	305	95

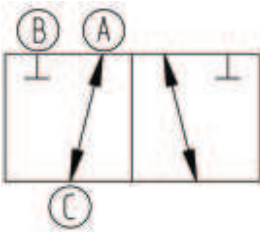
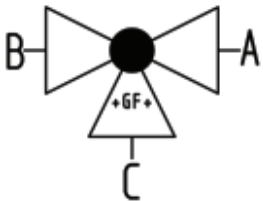
Rp [inch]	L7 [mm]	M	z [mm]	z1 [mm]
3/8	48	6	86	43
1/2	48	6	84	42
3/4	48	6	99	50
1	48	6	112	56
1 1/4	59	8	132	66
1 1/2	59	8	153	77
2	59	8	196	98



PROGEF Standard metric



PROGEF Standard 3-Way ball valve type 286 Horizontal/L-port DA (Double acting) Without manual override With socket fusion spigots metric



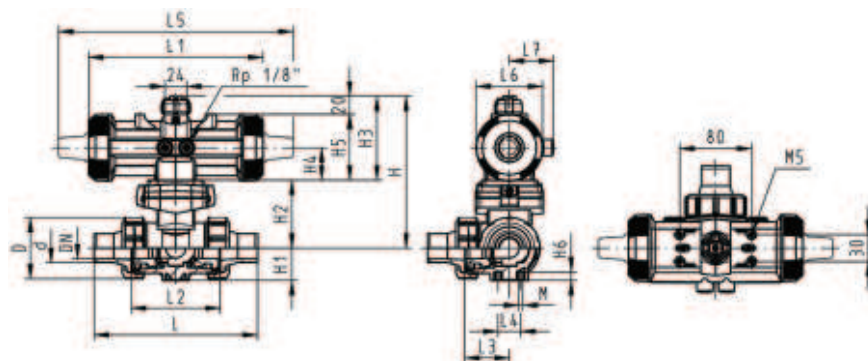
Model:

- Material: PP-H
- Built on with pneumatic actuator PA11 (DN10/15-25), PA21 (DN32-50)
- Basic position A-C opened, activated position B-C opened, see flow scheme
- Control time $90^\circ <$ 1-3 s
- For easy installation and removal
- Integrated stainless steel mounting inserts

d [mm]	DN [mm]	PN	kv-value ($\Delta p=1$ bar) [l/min]	EPDM Code	FPM Code
16	10	10	50	199 286 162	199 286 172
20	15	10	75	199 286 163	199 286 173
25	20	10	150	199 286 164	199 286 174
32	25	10	280	199 286 165	199 286 175
40	32	10	480	199 286 166	199 286 176
50	40	10	620	199 286 167	199 286 177
63	50	10	1230	199 286 168	199 286 178

d [mm]	D [mm]	H [mm]	H1 [mm]	H2 [mm]	H3 [mm]	H4 [mm]	H5 [mm]	H6 [mm]	L [mm]	L1 [mm]	L2 [mm]	L3 [mm]	L4 [mm]	L5 [mm]	L6 [mm]
16	50	159	28	62	97	40	77	8	126	194	72	36	25	261	76
20	50	159	28	62	97	40	77	8	136	194	72	36	25	261	76
25	58	168	32	71	97	40	77	8	159	194	85	43	25	261	76
32	68	168	36	71	97	40	77	8	178	194	98	49	25	261	76
40	84	203	45	84	119	51	99	9	204	224	118	59	45	305	95
50	97	203	51	84	119	51	99	9	237	224	135	68	45	305	95
63	124	225	65	106	119	51	99	9	296	224	176	88	45	305	95

d [mm]	L7 [mm]	M	closest inch
16	48	6	$\frac{3}{8}$
20	48	6	$\frac{1}{2}$
25	48	6	$\frac{3}{4}$
32	48	6	1
40	59	8	$1 \frac{1}{4}$
50	59	8	$1 \frac{1}{2}$
63	59	8	2



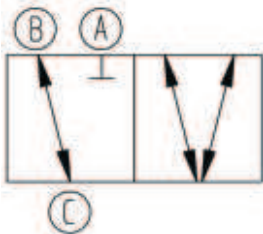
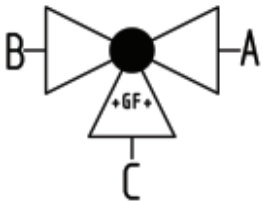
PROGEF Standard metric



PROGEF Standard 3-Way ball valve type 286 Horizontal/T-port Without manual override With fusion sockets metric

Model:

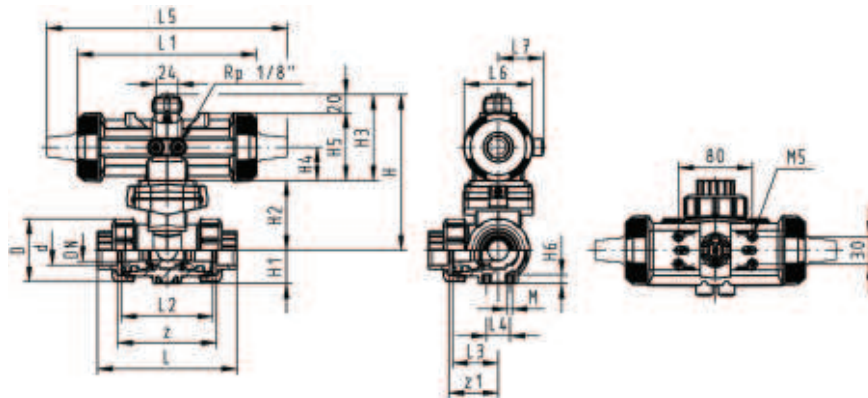
- Material: PP-H
- Built on with pneumatic actuator PA11 (DN10/15-25), PA21 (DN32-50)
- Actuator fails safe to the closed position FC
- Basic position B-C opened, activated position A-B-C opened, see flow scheme
- Control time 90°<) 1-3 s
- For easy installation and removal
- Integrated stainless steel mounting inserts



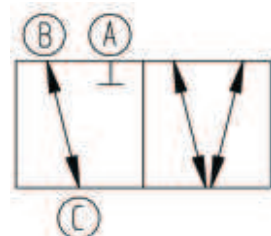
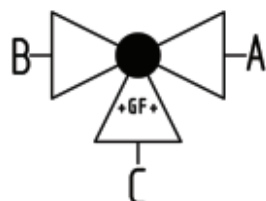
d [mm]	DN [mm]	PN	kv-value ($\Delta p=1$ bar) [l/min]	EPDM Code	FPM Code
16	10	10	140	199 286 062	199 286 072
20	15	10	200	199 286 063	199 286 073
25	20	10	470	199 286 064	199 286 074
32	25	10	793	199 286 065	199 286 075
40	32	10	1290	199 286 066	199 286 076
50	40	10	1910	199 286 067	199 286 077
63	50	10	3100	199 286 068	199 286 078

d [mm]	D [mm]	H [mm]	H1 [mm]	H2 [mm]	H3 [mm]	H4 [mm]	H5 [mm]	H6 [mm]	L [mm]	L1 [mm]	L2 [mm]	L3 [mm]	L4 [mm]	L5 [mm]	L6 [mm]
16	50	159	28	62	97	40	77	8	110	194	72	36	25	261	76
20	50	159	28	62	97	40	77	8	112	194	72	36	25	261	76
25	58	168	32	71	97	40	77	8	129	194	85	43	25	261	76
32	68	168	36	71	97	40	77	8	146	194	98	49	25	261	76
40	84	203	45	84	119	51	99	9	170	224	118	59	45	305	95
50	97	203	51	84	119	51	99	9	193	224	135	68	45	305	95
63	124	225	65	106	119	51	99	9	244	224	176	88	45	305	95

d [mm]	L7 [mm]	M	z [mm]	z1 [mm]	closest inch
16	48	6	82	41	3/8
20	48	6	82	41	1/2
25	48	6	97	49	3/4
32	48	6	110	55	1
40	59	8	132	66	1 1/4
50	59	8	151	76	1 1/2
63	59	8	188	94	2



PROGEF Standard metric



PROGEF Standard
3-Way ball valve type 286
Horizontal/T-port
Without manual override
With threaded sockets Rp reinforced



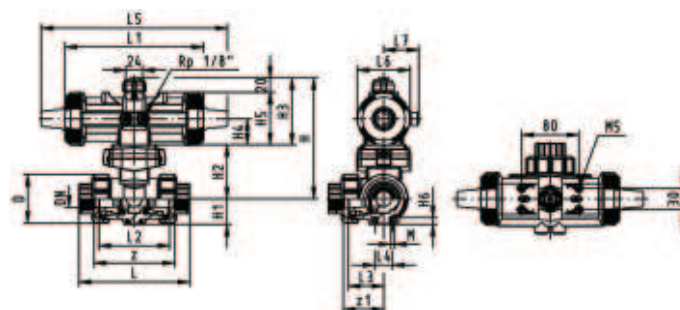
Model:

- Material: PP-H
- Built on with pneumatic actuator PA11 (DN10/15-25), PA21 (DN32-50)
- Actuator fails safe to the closed position FC
- Basic position B-C opened, activated position A-B-C opened, see flow scheme
- Control time 90°<) 1-3 s
- For easy installation and removal
- Integrated stainless steel mounting inserts

Rp [inch]	DN [mm]	PN	kv-value ($\Delta p=1$ bar) [l/min]	EPDM Code	FPM Code
3/8	10	10	140	199 286 142	199 286 152
1/2	15	10	200	199 286 143	199 286 153
3/4	20	10	470	199 286 144	199 286 154
1	25	10	793	199 286 145	199 286 155
1 1/4	32	10	1290	199 286 146	199 286 156
1 1/2	40	10	1910	199 286 147	199 286 157
2	50	10	3100	199 286 148	199 286 158

Rp [inch]	D [mm]	H [mm]	H1 [mm]	H2 [mm]	H3 [mm]	H4 [mm]	H5 [mm]	H6 [mm]	L [mm]	L1 [mm]	L2 [mm]	L3 [mm]	L4 [mm]	L5 [mm]	L6 [mm]
3/8	50	159	28	62	97	40	77	8	112	194	72	36	25	261	76
1/2	50	159	28	62	97	40	77	8	114	194	72	36	25	261	76
3/4	58	168	32	71	97	40	77	8	131	194	85	43	25	261	76
1	68	168	36	71	97	40	77	8	154	194	98	49	25	261	76
1 1/4	84	203	45	84	119	51	99	9	180	224	118	59	45	305	95
1 1/2	97	203	51	84	119	51	99	9	203	224	135	68	45	305	95
2	124	225	65	106	119	51	99	9	258	224	176	88	45	305	95

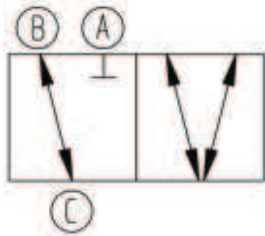
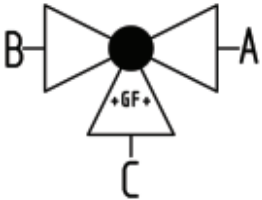
Rp [inch]	L7 [mm]	M	z [mm]	z1 [mm]
3/8	48	6	86	43
1/2	48	6	84	42
3/4	48	6	99	50
1	48	6	112	56
1 1/4	59	8	132	66
1 1/2	59	8	153	77
2	59	8	196	98



PROGEF Standard metric



PROGEF Standard 3-Way ball valve type 286 Horizontal/T-port Without manual override With socket fusion spigots metric



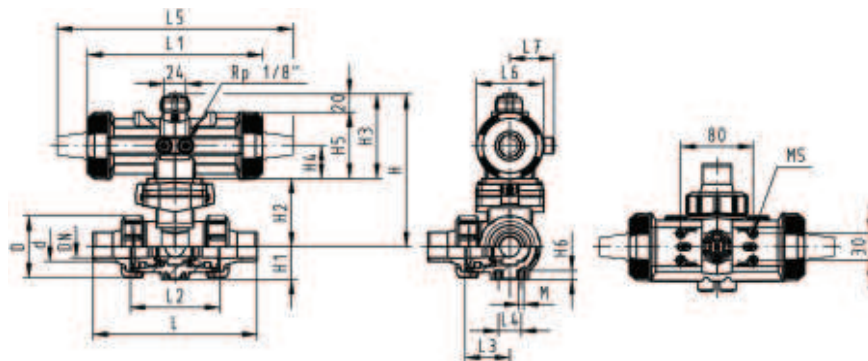
Model:

- Material: PP-H
- Built on with pneumatic actuator PA11 (DN10/15-25), PA21 (DN32-50)
- Actuator fails safe to the closed position FC
- Basic position B-C opened, activated position A-B-C opened, see flow scheme
- Control time $90^\circ <$ 1-3 s
- For easy installation and removal
- Integrated stainless steel mounting inserts

d [mm]	DN [mm]	PN	kv-value ($\Delta p=1$ bar) [l/min]	EPDM Code	FPM Code
16	10	10	140	199 286 042	199 286 052
20	15	10	200	199 286 043	199 286 053
25	20	10	470	199 286 044	199 286 054
32	25	10	793	199 286 045	199 286 055
40	32	10	1290	199 286 046	199 286 056
50	40	10	1910	199 286 047	199 286 057
63	50	10	3100	199 286 048	199 286 058

d [mm]	D [mm]	H [mm]	H1 [mm]	H2 [mm]	H3 [mm]	H4 [mm]	H5 [mm]	H6 [mm]	L [mm]	L1 [mm]	L2 [mm]	L3 [mm]	L4 [mm]	L5 [mm]	L6 [mm]
16	50	159	28	62	97	40	77	8	126	194	72	36	25	261	76
20	50	159	28	62	97	40	77	8	136	194	72	36	25	261	76
25	58	168	32	71	97	40	77	8	159	194	85	43	25	261	76
32	68	168	36	71	97	40	77	8	178	194	98	49	25	261	76
40	84	203	45	84	119	51	99	9	204	224	118	59	45	305	95
50	97	203	51	84	119	51	99	9	237	224	135	68	45	305	95
63	124	225	65	106	119	51	99	9	296	224	176	88	45	305	95

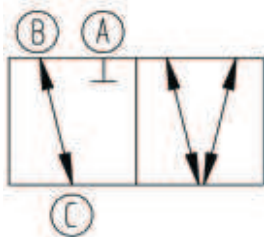
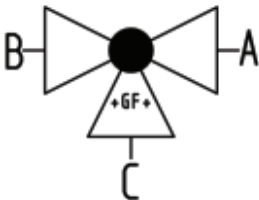
d [mm]	L7 [mm]	M	closest inch
16	48	6	$\frac{3}{8}$
20	48	6	$\frac{1}{2}$
25	48	6	$\frac{3}{4}$
32	48	6	1
40	59	8	$1 \frac{1}{4}$
50	59	8	$1 \frac{1}{2}$
63	59	8	2



PROGEF Standard metric



PROGEF Standard
3-Way ball valve type 286
Horizontal/T-port
Without manual override
With butt fusion spigots
IR-Plus SDR11 metric



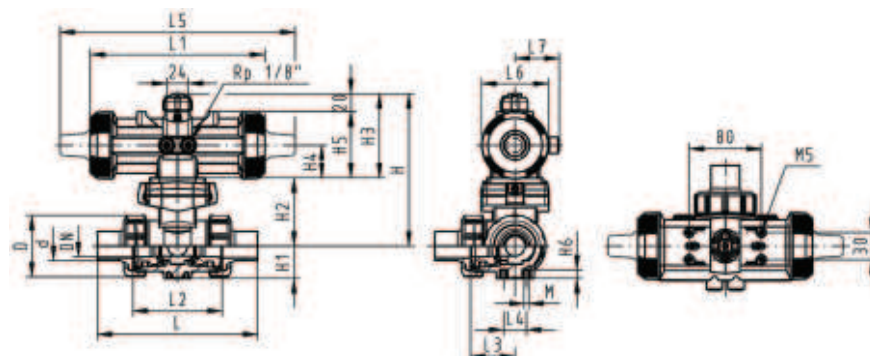
Model:

- Material: PP-H
- Built on with pneumatic actuator PA11 (DN10/15-25), PA21 (DN32-50)
- Actuator fails safe to the closed position FC
- Basic position B-C opened, activated position A-B-C opened, see flow scheme
- Control time 90°<) 1-3 s
- For easy installation and removal
- Integrated stainless steel mounting inserts

d [mm]	DN [mm]	PN	kv-value (Δp=1 bar) [l/min]	EPDM Code	FPM Code
20	15	10	200	199 286 103	199 286 113
25	20	10	470	199 286 104	199 286 114
32	25	10	793	199 286 105	199 286 115
40	32	10	1290	199 286 106	199 286 116
50	40	10	1910	199 286 107	199 286 117
63	50	10	3100	199 286 108	199 286 118

d [mm]	D [mm]	H [mm]	H1 [mm]	H2 [mm]	H3 [mm]	H4 [mm]	H5 [mm]	H6 [mm]	L [mm]	L1 [mm]	L2 [mm]	L3 [mm]	L4 [mm]	L5 [mm]	L6 [mm]
20	50	159	28	62	97	40	77	8	146	194	72	36	25	261	76
25	58	168	32	71	97	40	77	8	163	194	85	43	25	261	76
32	68	168	36	71	97	40	77	8	178	194	98	49	25	261	76
40	84	203	45	84	119	51	99	9	204	224	118	59	45	305	95
50	97	203	51	84	119	51	99	9	237	224	135	68	45	305	95
63	124	225	65	106	119	51	99	9	296	224	176	88	45	305	95

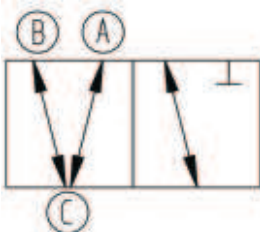
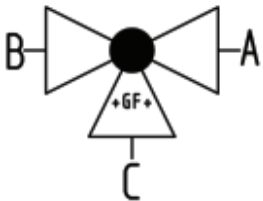
d [mm]	L7 [mm]	M	closest inch
20	48	6	1/2
25	48	6	3/4
32	48	6	1
40	59	8	1 1/4
50	59	8	1 1/2
63	59	8	2



PROGEF Standard metric



PROGEF Standard 3-Way ball valve type 286 Horizontal/T-port DA (Double acting) Without manual override With fusion sockets metric



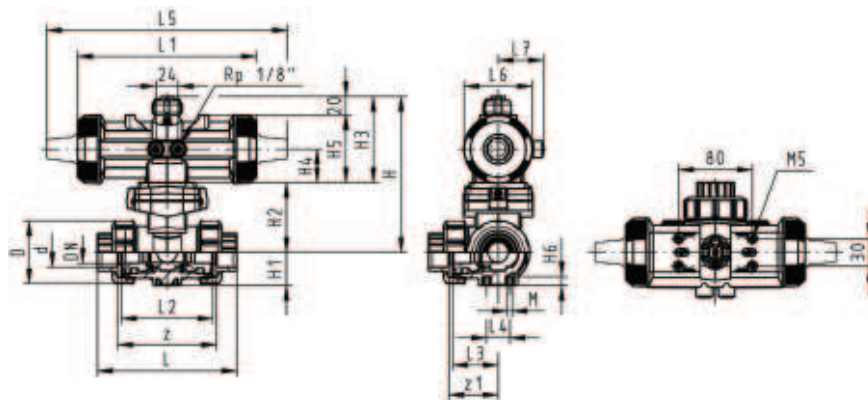
Model:

- Material: PP-H
- Built on with pneumatic actuator PA11 (DN10/15-25), PA21 (DN32-50)
- Basic position A-B-C opened, activated position B-C opened, see flow scheme
- Control time 90°<) 1-3 s
- For easy installation and removal
- Integrated stainless steel mounting inserts

d [mm]	DN [mm]	PN	kv-value (Δp=1 bar) [l/min]	EPDM Code	FPM Code
16	10	10	140	199 286 222	199 286 232
20	15	10	200	199 286 223	199 286 233
25	20	10	470	199 286 224	199 286 234
32	25	10	793	199 286 225	199 286 235
40	32	10	1290	199 286 226	199 286 236
50	40	10	1910	199 286 227	199 286 237
63	50	10	3100	199 286 228	199 286 238

d [mm]	D [mm]	H [mm]	H1 [mm]	H2 [mm]	H3 [mm]	H4 [mm]	H5 [mm]	H6 [mm]	L [mm]	L1 [mm]	L2 [mm]	L3 [mm]	L4 [mm]	L5 [mm]	L6 [mm]
16	50	159	28	62	97	40	77	8	110	194	72	36	25	261	76
20	50	159	28	62	97	40	77	8	112	194	72	36	25	261	76
25	58	168	32	71	97	40	77	8	129	194	85	43	25	261	76
32	68	168	36	71	97	40	77	8	146	194	98	49	25	261	76
40	84	203	45	84	119	51	99	9	170	224	118	59	45	305	95
50	97	203	51	84	119	51	99	9	193	224	135	68	45	305	95
63	124	225	65	106	119	51	99	9	244	224	176	88	45	305	95

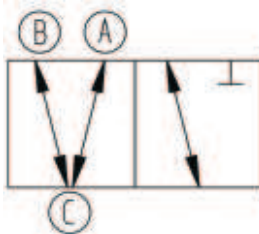
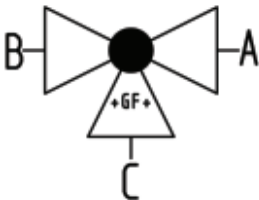
d [mm]	L7 [mm]	M	z [mm]	z1 [mm]	closest inch
16	48	6	82	41	3/8
20	48	6	82	41	1/2
25	48	6	97	49	3/4
32	48	6	110	55	1
40	59	8	132	66	1 1/4
50	59	8	151	76	1 1/2
63	59	8	188	94	2



PROGEF Standard metric



PROGEF Standard
3-Way ball valve type 286
Horizontal/T-port DA (Double acting)
Without manual override
With threaded sockets Rp reinforced



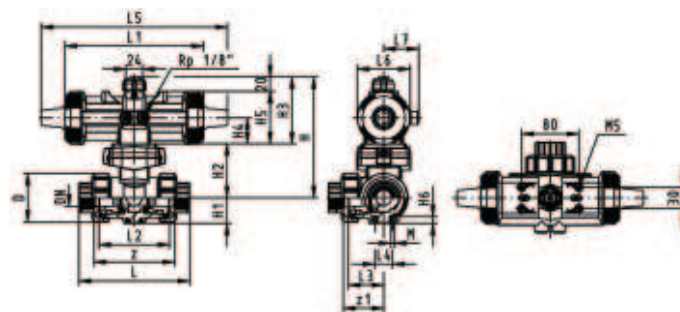
Model:

- Material: PP-H
- Built on with pneumatic actuator PA11 (DN10/15-25), PA21 (DN32-50)
- Basic position A-B-C opened, activated position B-C opened, see flow scheme
- Control time 90°<) 1-3 s
- For easy installation and removal
- Integrated stainless steel mounting inserts

Rp [inch]	DN [mm]	PN	kv-value ($\Delta p=1$ bar) [l/min]	EPDM Code	FPM Code
3/8	10	10	140	199 286 302	199 286 312
1/2	15	10	200	199 286 303	199 286 313
3/4	20	10	470	199 286 304	199 286 314
1	25	10	793	199 286 305	199 286 315
1 1/4	32	10	1290	199 286 306	199 286 316
1 1/2	40	10	1910	199 286 307	199 286 317
2	50	10	3100	199 286 308	199 286 318

Rp [inch]	D [mm]	H [mm]	H1 [mm]	H2 [mm]	H3 [mm]	H4 [mm]	H5 [mm]	H6 [mm]	L [mm]	L1 [mm]	L2 [mm]	L3 [mm]	L4 [mm]	L5 [mm]	L6 [mm]
3/8	50	159	28	62	97	40	77	8	112	194	72	36	25	261	76
1/2	50	159	28	62	97	40	77	8	114	194	72	36	25	261	76
3/4	58	168	32	71	97	40	77	8	131	194	85	43	25	261	76
1	68	168	36	71	97	40	77	8	154	194	98	49	25	261	76
1 1/4	84	203	45	84	119	51	99	9	180	224	118	59	45	305	95
1 1/2	97	203	51	84	119	51	99	9	203	224	135	68	45	305	95
2	124	225	65	106	119	51	99	9	258	224	176	88	45	305	95

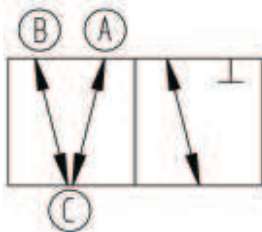
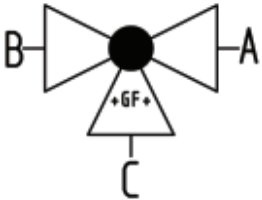
Rp [inch]	L7 [mm]	M	z [mm]	z1 [mm]
3/8	48	6	86	43
1/2	48	6	84	42
3/4	48	6	99	50
1	48	6	112	56
1 1/4	59	8	132	66
1 1/2	59	8	153	77
2	59	8	196	98



PROGEF Standard metric



PROGEF Standard 3-Way ball valve type 286 Horizontal/T-port DA (Double acting) Without manual override With socket fusion spigots metric



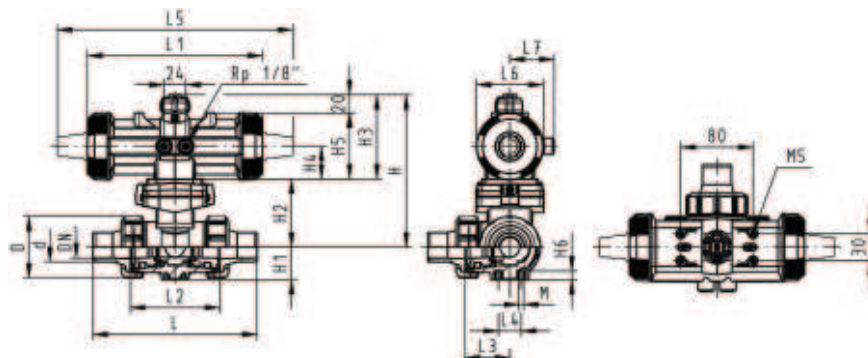
Model:

- Material: PP-H
- Built on with pneumatic actuator PA11 (DN10/15-25), PA21 (DN32-50)
- Basic position A-B-C opened, activated position B-C opened, see flow scheme
- Control time $90^\circ <$ 1-3 s
- For easy installation and removal
- Integrated stainless steel mounting inserts

d [mm]	DN [mm]	PN	kv-value ($\Delta p=1$ bar) [l/min]	EPDM Code	FPM Code
16	10	10	140	199 286 202	199 286 212
20	15	10	200	199 286 203	199 286 213
25	20	10	470	199 286 204	199 286 214
32	25	10	793	199 286 205	199 286 215
40	32	10	1290	199 286 206	199 286 216
50	40	10	1910	199 286 207	199 286 217
63	50	10	3100	199 286 208	199 286 218

d [mm]	D [mm]	H [mm]	H1 [mm]	H2 [mm]	H3 [mm]	H4 [mm]	H5 [mm]	H6 [mm]	L [mm]	L1 [mm]	L2 [mm]	L3 [mm]	L4 [mm]	L5 [mm]	L6 [mm]
16	50	159	28	62	97	40	77	8	126	194	72	36	25	261	76
20	50	159	28	62	97	40	77	8	136	194	72	36	25	261	76
25	58	168	32	71	97	40	77	8	159	194	85	43	25	261	76
32	68	168	36	71	97	40	77	8	178	194	98	49	25	261	76
40	84	203	45	84	119	51	99	9	204	224	118	59	45	305	95
50	97	203	51	84	119	51	99	9	237	224	135	68	45	305	95
63	124	225	65	106	119	51	99	9	296	224	176	88	45	305	95

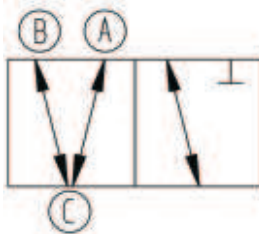
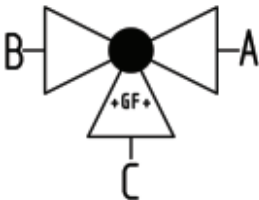
d [mm]	L7 [mm]	M	closest inch
16	48	6	$\frac{3}{8}$
20	48	6	$\frac{1}{2}$
25	48	6	$\frac{3}{4}$
32	48	6	1
40	59	8	$1 \frac{1}{4}$
50	59	8	$1 \frac{1}{2}$
63	59	8	2



PROGEF Standard metric



PROGEF Standard
3-Way ball valve type 286
Horizontal/T-port DA (Double acting)
Without manual override
With butt fusion spigots
IR-Plus SDR11 metric



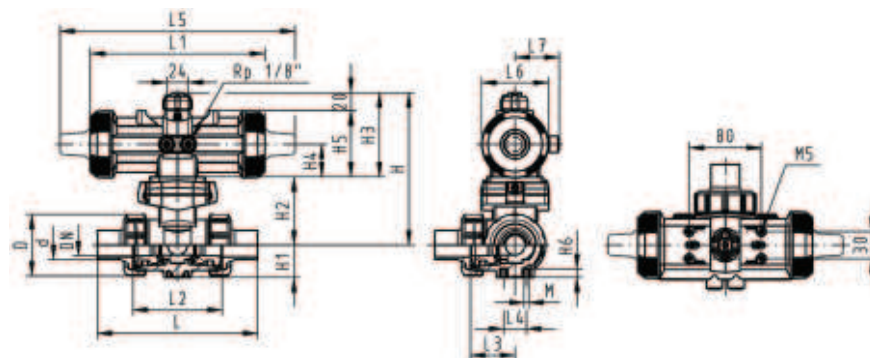
Model:

- Material: PP-H
- Built on with pneumatic actuator PA11 (DN10/15-25), PA21 (DN32-50)
- Basic position A-B-C opened, activated position B-C opened, see flow scheme
- Control time 90°<) 1-3 s
- For easy installation and removal
- Integrated stainless steel mounting inserts

d [mm]	DN [mm]	PN	kv-value (Δp=1 bar) [l/min]	EPDM Code	FPM Code
20	15	10	200	199 286 263	199 286 273
25	20	10	470	199 286 264	199 286 274
32	25	10	793	199 286 265	199 286 275
40	32	10	1290	199 286 266	199 286 276
50	40	10	1910	199 286 267	199 286 277
63	50	10	3100	199 286 268	199 286 278

d [mm]	D [mm]	H [mm]	H1 [mm]	H2 [mm]	H3 [mm]	H4 [mm]	H5 [mm]	H6 [mm]	L [mm]	L1 [mm]	L2 [mm]	L3 [mm]	L4 [mm]	L5 [mm]	L6 [mm]
20	50	159	28	62	97	40	77	8	146	194	72	36	25	261	76
25	58	168	32	71	97	40	77	8	163	194	85	43	25	261	76
32	68	168	36	71	97	40	77	8	178	194	98	49	25	261	76
40	84	203	45	84	119	51	99	9	204	224	118	59	45	305	95
50	97	203	51	84	119	51	99	9	237	224	135	68	45	305	95
63	124	225	65	106	119	51	99	9	296	224	176	88	45	305	95

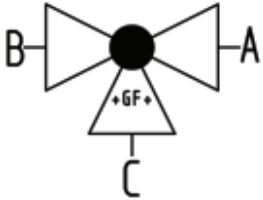
d [mm]	L7 [mm]	M	closest inch
20	48	6	1/2
25	48	6	3/4
32	48	6	1
40	59	8	1 1/4
50	59	8	1 1/2
63	59	8	2



PROGEF Standard ASTM/ANSI

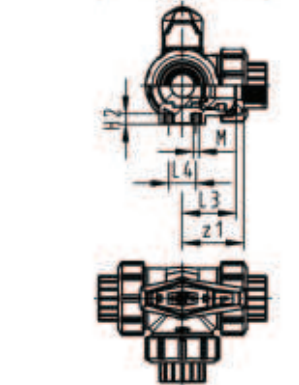
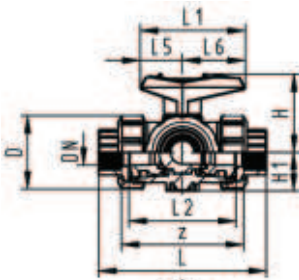
Ball valves

PROGEF Standard 3-Way ball valve type 543 Horizontal/L-port With threaded sockets NPT reinforced



Model:

- Material: PP-H
- For easy installation and removal (valve end and union nut are compatible with type 546)
- Ball seals PTFE
- Pneumatic or electric actuator available separately
- Angle of operation 360° without turn limiter
- Turn limiter 90° enclosed, in different positions usable as a clip-on ring
- Integrated stainless steel mounting inserts
- Delivery status A-C opened, see flow scheme



NPT [inch]	DN [mm]	PN	kv-value ($\Delta p=1$ bar) [l/min]	EPDM Code	FPM Code
3/8	10	10	50	167 543 161	167 543 171
1/2	15	10	75	167 543 162	167 543 172
3/4	20	10	150	167 543 163	167 543 173
1	25	10	280	167 543 164	167 543 174
1 1/4	32	10	480	167 543 165	167 543 175
1 1/2	40	10	620	167 543 166	167 543 176
2	50	10	1230	167 543 167	167 543 177

NPT [inch]	D [mm]	L [mm]	L1 [mm]	L2 [mm]	L3 [mm]	L4 [mm]	L5 [mm]	L6 [mm]	H [mm]	H1 [mm]	H2 [mm]	M	z [mm]	z1 [mm]
3/8	50	112	77	72	36	25	32	45	57	28	8	6	86	43
1/2	50	114	77	72	36	25	32	45	57	28	8	6	80	40
3/4	58	131	97	85	43	25	39	58	67	32	8	6	95	48
1	68	154	97	98	49	25	39	58	73	36	8	6	110	55
1 1/4	84	180	128	118	59	45	54	74	90	45	9	8	132	66
1 1/2	97	203	128	135	68	45	54	74	97	51	9	8	157	79
2	124	258	152	176	88	45	66	87	116	65	9	8	210	105

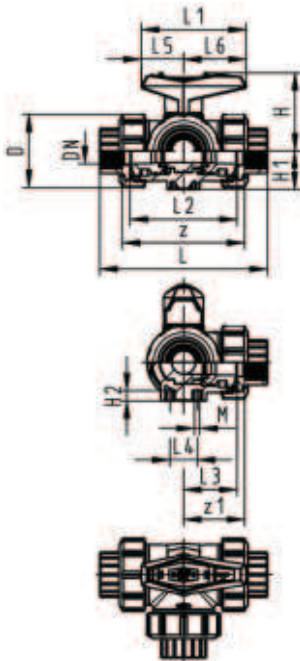
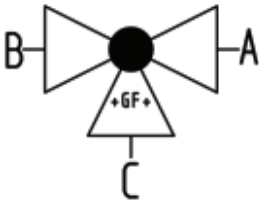
PROGEF Standard ASTM/ANSI



PROGEF Standard 3-Way ball valve type 543 Horizontal/T-port With threaded sockets NPT reinforced

Model:

- Material: PP-H
- For easy installation and removal (valve end and union nut are compatible with type 546)
- Ball seals PTFE
- Pneumatic or electric actuator available separately
- Angle of operation 360° without turn limiter
- Turn limiter 90° enclosed, in different positions usable as a clip-on ring
- Integrated stainless steel mounting inserts
- Delivery status A-B-C opened, see flow scheme



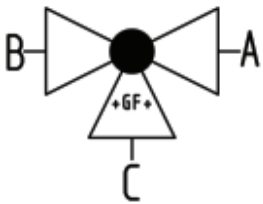
NPT [inch]	DN [mm]	PN	kv-value ($\Delta p=1$ bar) [l/min]	EPDM Code	FPM Code
3/8	10	10	140	167 543 361	167 543 371
1/2	15	10	200	167 543 362	167 543 372
3/4	20	10	470	167 543 363	167 543 373
1	25	10	793	167 543 364	167 543 374
1 1/4	32	10	1290	167 543 365	167 543 375
1 1/2	40	10	1910	167 543 366	167 543 376
2	50	10	3100	167 543 367	167 543 377

NPT [inch]	D [mm]	L [mm]	L1 [mm]	L2 [mm]	L3 [mm]	L4 [mm]	L5 [mm]	L6 [mm]	H [mm]	H1 [mm]	H2 [mm]	M	z [mm]	z1 [mm]
3/8	50	112	77	72	36	25	32	45	57	28	8	6	86	43
1/2	50	114	77	72	36	25	32	45	57	28	8	6	80	40
3/4	58	131	97	85	43	25	39	58	67	32	8	6	95	48
1	68	154	97	98	49	25	39	58	73	36	8	6	110	55
1 1/4	84	180	128	118	59	45	54	74	90	45	9	8	132	66
1 1/2	97	203	128	135	68	45	54	74	97	51	9	8	157	79
2	124	258	152	176	88	45	66	87	116	65	9	8	210	105

PROGEF Standard ASTM/ANSI

Ball valves electric

PROGEF Standard
3-Way ball valve type 186
Horizontal/L-port 100-230V
With manual emergency override
With threaded sockets NPT reinforced



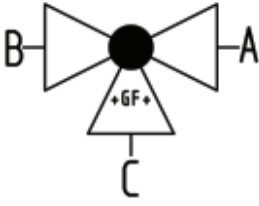
Model:

- Material: PP-H
- Built on with electric actuator EA21
- Voltage 100-230 V, 50-60 Hz
- Control range 90°<
- Basic position A-C opened, activated position B-C opened, see flow scheme
- Other positions possible by adjusting the limit switches
- Control time 5 s/90°<
- For easy installation and removal
- Integrated stainless steel mounting inserts

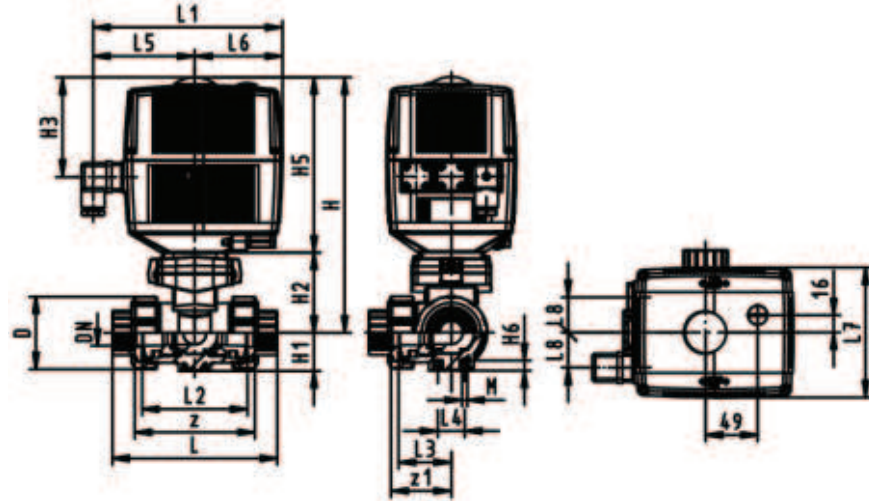
NPT [inch]	DN [mm]	PN	kv-value ($\Delta p=1$ bar) [l/min]	EPDM Code	FPM Code
3/8	10	10	50	199 186 322	199 186 332
1/2	15	10	75	199 186 323	199 186 333
3/4	20	10	150	199 186 324	199 186 334
1	25	10	280	199 186 325	199 186 335
1 1/4	32	10	480	199 186 326	199 186 336
1 1/2	40	10	620	199 186 327	199 186 337
2	50	10	1230	199 186 328	199 186 338

NPT [inch]	D [mm]	H [mm]	H1 [mm]	H2 [mm]	H3 [mm]	H5 [mm]	H6 [mm]	L [mm]	L1 [mm]	L2 [mm]	L3 [mm]	L4 [mm]	L5 [mm]	L6 [mm]	L7 [mm]
3/8	50	231	28	64	94	167	8	112	180	72	36	25	97	83	122
1/2	50	231	28	64	94	167	8	114	180	72	36	25	97	83	122
3/4	58	240	32	73	94	167	8	131	180	85	43	25	97	83	122
1	68	240	36	73	94	167	8	154	180	98	49	25	97	83	122
1 1/4	84	251	45	84	94	167	9	180	180	118	59	45	97	83	122
1 1/2	97	251	51	84	94	167	9	203	180	135	68	45	97	83	122
2	124	273	65	106	94	167	9	258	180	176	88	45	97	83	122

PROGEF Standard ASTM/ANSI



NPT [inch]	L8 [mm]	M	z [mm]	z1 [mm]
3/8	33	6	86	43
1/2	33	6	80	40
3/4	33	6	95	48
1	33	6	110	55
1 1/4	33	8	132	66
1 1/2	33	8	157	79
2	33	8	210	105

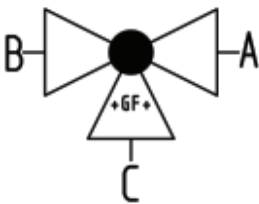


PROGEF Standard 3-Way ball valve type 186 Horizontal/L-port 24V With manual emergency override With threaded sockets NPT reinforced



Model:

- Material: PP-H
- Built on with electric actuator EA21
- Voltage 24 V AC/DC
- Control range 90°<
- Basic position A-C opened, activated position B-C opened, see flow scheme
- Other positions possible by adjusting the limit switches
- Control time 5 s/90°<
- For easy installation and removal
- Integrated stainless steel mounting inserts

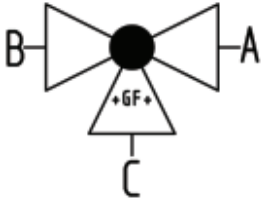


NPT [inch]	DN [mm]	PN	kv-value ($\Delta p=1$ bar) [l/min]	EPDM Code	FPM Code
3/8	10	10	50	199 186 362	199 186 372
1/2	15	10	75	199 186 363	199 186 373
3/4	20	10	150	199 186 364	199 186 374
1	25	10	280	199 186 365	199 186 375
1 1/4	32	10	480	199 186 366	199 186 376
1 1/2	40	10	620	199 186 367	199 186 377
2	50	10	1230	199 186 368	199 186 378

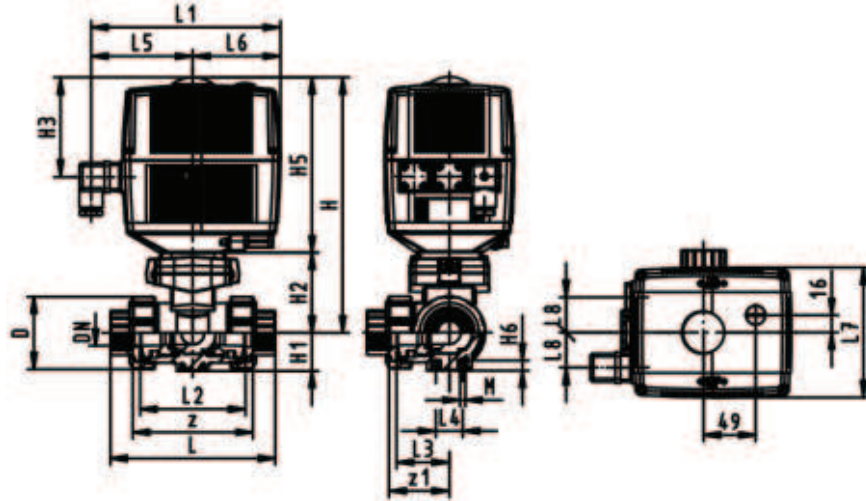


NPT [inch]	D [mm]	H [mm]	H1 [mm]	H2 [mm]	H3 [mm]	H5 [mm]	H6 [mm]	L [mm]	L1 [mm]	L2 [mm]	L3 [mm]	L4 [mm]	L5 [mm]	L6 [mm]	L7 [mm]
3/8	50	231	28	64	94	167	8	112	180	72	36	25	97	83	122
1/2	50	231	28	64	94	167	8	114	180	72	36	25	97	83	122
3/4	58	240	32	73	94	167	8	131	180	85	43	25	97	83	122
1	68	240	36	73	94	167	8	154	180	98	49	25	97	83	122
1 1/4	84	251	45	84	94	167	9	180	180	118	59	45	97	83	122
1 1/2	97	251	51	84	94	167	9	203	180	135	68	45	97	83	122
2	124	273	65	106	94	167	9	258	180	176	88	45	97	83	122

PROGEF Standard ASTM/ANSI



NPT [inch]	L8 [mm]	M	z [mm]	z1 [mm]
3/8	33	6	86	43
1/2	33	6	80	40
3/4	33	6	95	48
1	33	6	110	55
1 1/4	33	8	132	66
1 1/2	33	8	157	79
2	33	8	210	105

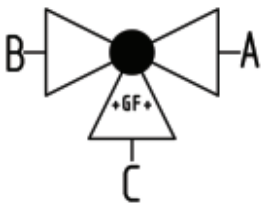


PROGEF Standard 3-Way ball valve type 186 Horizontal/T-port 100-230V With manual emergency override With threaded sockets NPT reinforced



Model:

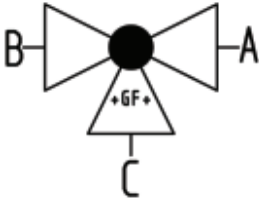
- Material: PP-H
- Built on with electric actuator EA21
- Voltage 100-230 V, 50-60 Hz
- Control range 90°<
- Basic position A-B-C opened, activated position B-C opened, see flow scheme
- Other positions possible by adjusting the limit switches
- Control time 5 s/90°<
- For easy installation and removal
- Integrated stainless steel mounting inserts



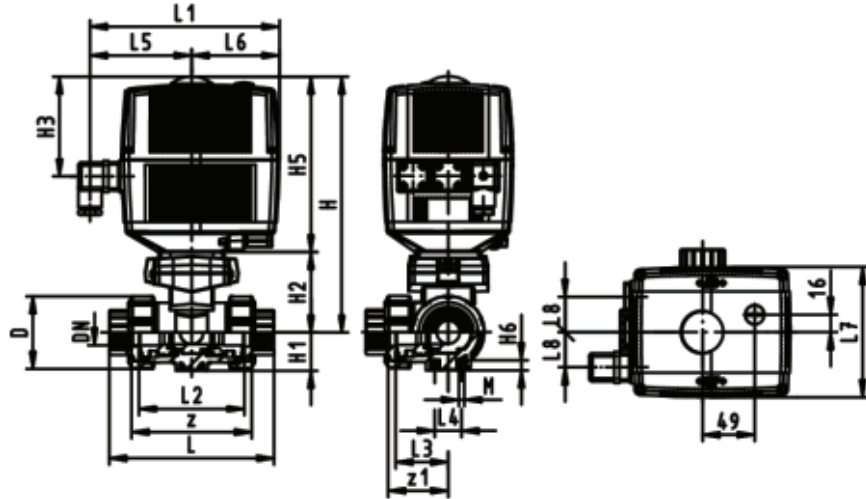
NPT [inch]	DN [mm]	PN	kv-value ($\Delta p=1$ bar) [l/min]	EPDM Code	FPM Code
3/8	10	10	140	199 186 342	199 186 352
1/2	15	10	200	199 186 343	199 186 353
3/4	20	10	470	199 186 344	199 186 354
1	25	10	793	199 186 345	199 186 355
1 1/4	32	10	1290	199 186 346	199 186 356
1 1/2	40	10	1910	199 186 347	199 186 357
2	50	10	3100	199 186 348	199 186 358

NPT [inch]	D [mm]	H [mm]	H1 [mm]	H2 [mm]	H3 [mm]	H5 [mm]	H6 [mm]	L [mm]	L1 [mm]	L2 [mm]	L3 [mm]	L4 [mm]	L5 [mm]	L6 [mm]	L7 [mm]
3/8	50	231	28	64	94	167	8	112	180	72	36	25	97	83	122
1/2	50	231	28	64	94	167	8	114	180	72	36	25	97	83	122
3/4	58	240	32	73	94	167	8	131	180	85	43	25	97	83	122
1	68	240	36	73	94	167	8	154	180	98	49	25	97	83	122
1 1/4	84	251	45	84	94	167	9	180	180	118	59	45	97	83	122
1 1/2	97	251	51	84	94	167	9	203	180	135	68	45	97	83	122
2	124	273	65	106	94	167	9	258	180	176	88	45	97	83	122

PROGEF Standard ASTM/ANSI



NPT [inch]	L8 [mm]	M	z [mm]	z1 [mm]
3/8	33	6	86	43
1/2	33	6	80	40
3/4	33	6	95	48
1	33	6	110	55
1 1/4	33	8	132	66
1 1/2	33	8	157	79
2	33	8	210	105

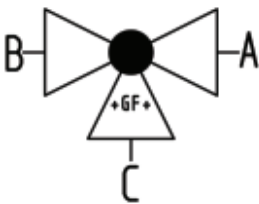


PROGEF Standard 3-Way ball valve type 186 Horizontal/T-port 24V With manual emergency override With threaded sockets NPT reinforced



Model:

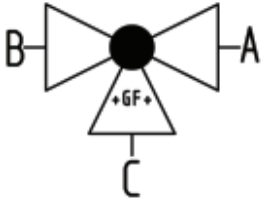
- Material: PP-H
- Built on with electric actuator EA21
- Voltage 24 V AC/DC
- Control range 90°<
- Basic position A-B-C opened, activated position B-C opened, see flow scheme
- Other positions possible by adjusting the limit switches
- Control time 5 s/90°<
- For easy installation and removal
- Integrated stainless steel mounting inserts



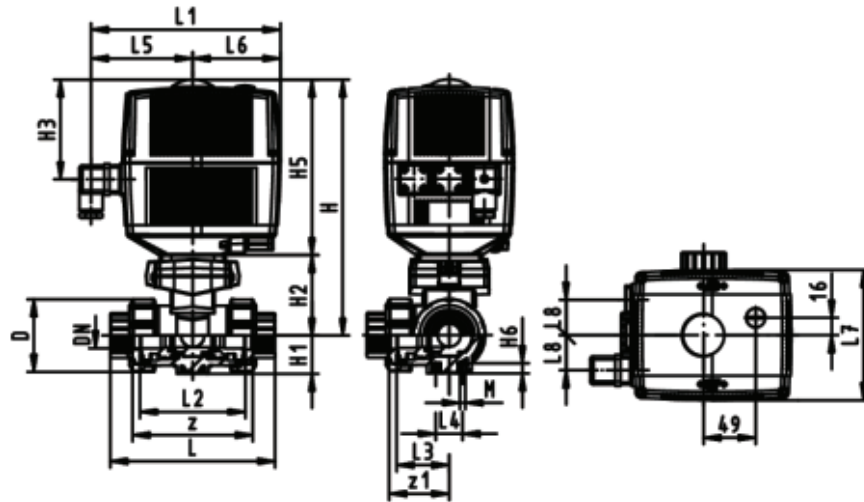
NPT [inch]	DN [mm]	PN	kv-value ($\Delta p=1$ bar) [l/min]	EPDM Code	FPM Code
3/8	10	10	140	199 186 382	199 186 392
1/2	15	10	200	199 186 383	199 186 393
3/4	20	10	470	199 186 384	199 186 394
1	25	10	793	199 186 385	199 186 395
1 1/4	32	10	1290	199 186 386	199 186 396
1 1/2	40	10	1910	199 186 387	199 186 397
2	50	10	3100	199 186 388	199 186 398

NPT [inch]	D [mm]	H [mm]	H1 [mm]	H2 [mm]	H3 [mm]	H5 [mm]	H6 [mm]	L [mm]	L1 [mm]	L2 [mm]	L3 [mm]	L4 [mm]	L5 [mm]	L6 [mm]	L7 [mm]
3/8	50	231	28	64	94	167	8	112	180	72	36	25	97	83	122
1/2	50	231	28	64	94	167	8	114	180	72	36	25	97	83	122
3/4	58	240	32	73	94	167	8	131	180	85	43	25	97	83	122
1	68	240	36	73	94	167	8	154	180	98	49	25	97	83	122
1 1/4	84	251	45	84	94	167	9	180	180	118	59	45	97	83	122
1 1/2	97	251	51	84	94	167	9	203	180	135	68	45	97	83	122
2	124	273	65	106	94	167	9	258	180	176	88	45	97	83	122

PROGEF Standard ASTM/ANSI



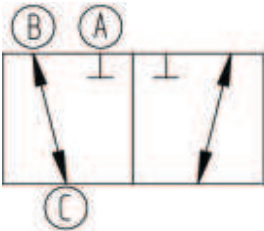
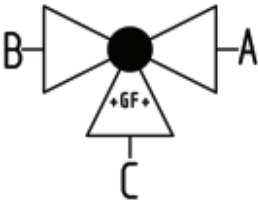
NPT [inch]	L8 [mm]	M	z [mm]	z1 [mm]
3/8	33	6	86	43
1/2	33	6	80	40
3/4	33	6	95	48
1	33	6	110	55
1 1/4	33	8	132	66
1 1/2	33	8	157	79
2	33	8	210	105



PROGEF Standard ASTM/ANSI

Ball valves pneumatic

PROGEF Standard
3-Way ball valve type 286
Horizontal/L-port
Without manual override
With threaded sockets NPT reinforced



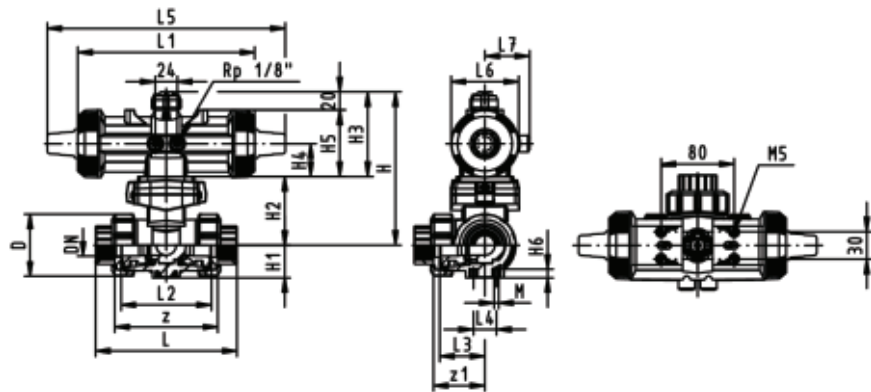
Model:

- Material: PP-H
- Built on with pneumatic actuator PA11 (DN10/15-25), PA21 (DN32-50)
- Actuator fails safe to the closed position FC
- Basic position B-C opened, activated position A-C opened, see flow scheme
- Control time 90°(<) 1-3 s
- For easy installation and removal
- Integrated stainless steel mounting inserts

NPT [inch]	DN [mm]	PN	kv-value (Δp=1 bar) [l/min]	EPDM Code	FPM Code
3/8	10	10	50	199 286 322	199 286 332
1/2	15	10	75	199 286 323	199 286 333
3/4	20	10	150	199 286 324	199 286 334
1	25	10	280	199 286 325	199 286 335
1 1/4	32	10	480	199 286 326	199 286 336
1 1/2	40	10	620	199 286 327	199 286 337
2	50	10	1230	199 286 328	199 286 338

NPT [inch]	D [mm]	H [mm]	H1 [mm]	H2 [mm]	H3 [mm]	H4 [mm]	H5 [mm]	H6 [mm]	L [mm]	L1 [mm]	L2 [mm]	L3 [mm]	L4 [mm]	L5 [mm]	L6 [mm]
3/8	50	159	28	62	97	40	77	8	112	194	72	36	25	261	76
1/2	50	159	28	62	97	40	77	8	114	194	72	36	25	261	76
3/4	58	168	32	71	97	40	77	8	131	194	85	43	25	261	76
1	68	168	36	71	97	40	77	8	154	194	98	49	25	261	76
1 1/4	84	203	45	84	119	51	99	9	180	224	118	59	45	305	95
1 1/2	97	203	51	84	119	51	99	9	203	224	135	68	45	305	95
2	124	225	65	106	119	51	99	9	258	224	176	88	45	305	95

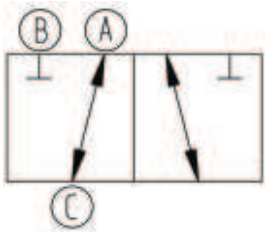
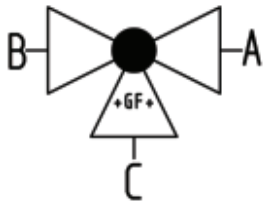
NPT [inch]	L7 [mm]	M	z [mm]	z1 [mm]
3/8	48	6	86	43
1/2	48	6	80	40
3/4	48	6	95	48
1	48	6	110	55
1 1/4	59	8	132	66
1 1/2	59	8	157	79
2	59	8	210	105



PROGEF Standard ASTM/ANSI



PROGEF Standard
3-Way ball valve type 286
Horizontal/L-port DA (Double acting)
Without manual override
With threaded sockets NPT reinforced



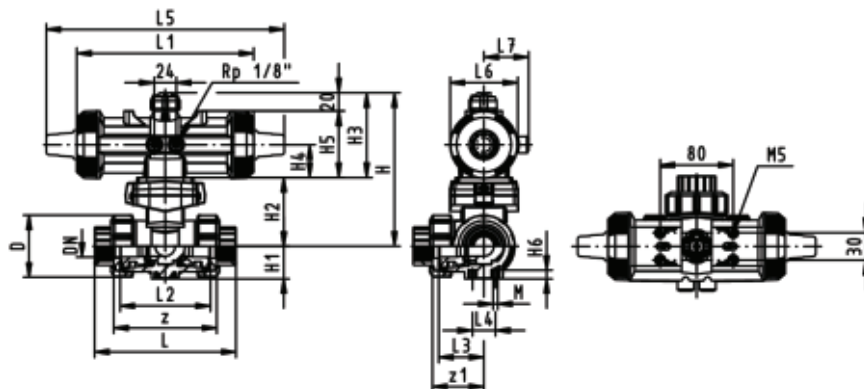
Model:

- Material: PP-H
- Built on with pneumatic actuator PA11 (DN10/15-25), PA21 (DN32-50)
- Basic position A-C opened, activated position B-C opened, see flow scheme
- Control time 90°<) 1-3 s
- For easy installation and removal
- Integrated stainless steel mounting inserts

NPT [inch]	DN [mm]	PN	kv-value ($\Delta p=1$ bar) [l/min]	EPDM Code	FPM Code
3/8	10	10	50	199 286 362	199 286 372
1/2	15	10	75	199 286 363	199 286 373
3/4	20	10	150	199 286 364	199 286 374
1	25	10	280	199 286 365	199 286 375
1 1/4	32	10	480	199 286 366	199 286 376
1 1/2	40	10	620	199 286 367	199 286 377
2	50	10	1230	199 286 368	199 286 378

NPT [inch]	D [mm]	H [mm]	H1 [mm]	H2 [mm]	H3 [mm]	H4 [mm]	H5 [mm]	H6 [mm]	L [mm]	L1 [mm]	L2 [mm]	L3 [mm]	L4 [mm]	L5 [mm]	L6 [mm]
3/8	50	159	28	62	97	40	77	8	112	194	72	36	25	261	76
1/2	50	159	28	62	97	40	77	8	114	194	72	36	25	261	76
3/4	58	168	32	71	97	40	77	8	131	194	85	43	25	261	76
1	68	168	36	71	97	40	77	8	154	194	98	49	25	261	76
1 1/4	84	203	45	84	119	51	99	9	180	224	118	59	45	305	95
1 1/2	97	203	51	84	119	51	99	9	203	224	135	68	45	305	95
2	124	225	65	106	119	51	99	9	258	224	176	88	45	305	95

NPT [inch]	L7 [mm]	M	z [mm]	z1 [mm]
3/8	48	6	86	43
1/2	48	6	80	40
3/4	48	6	95	48
1	48	6	110	55
1 1/4	59	8	132	66
1 1/2	59	8	157	79
2	59	8	210	105



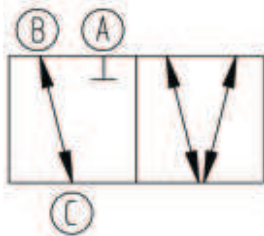
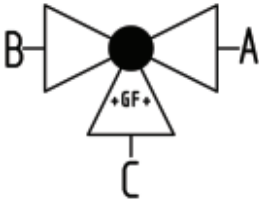
PROGEF Standard ASTM/ANSI



**PROGEF Standard
3-Way ball valve type 286
Horizontal/T-port
Without manual override
With threaded sockets NPT reinforced**

Model:

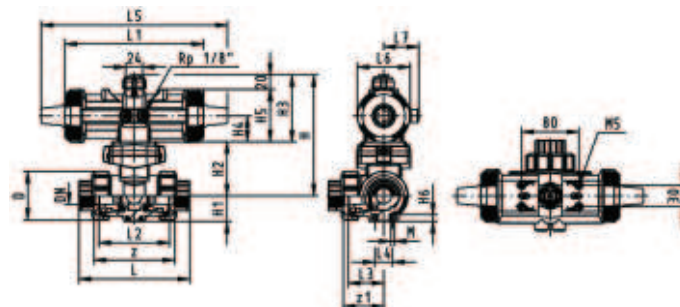
- Material: PP-H
- Built on with pneumatic actuator PA11 (DN10/15-25), PA21 (DN32-50)
- Actuator fails safe to the closed position FC
- Basic position B-C opened, activated position A-B-C opened, see flow scheme
- Control time $90^\circ <$) 1-3 s
- For easy installation and removal
- Integrated stainless steel mounting inserts



NPT [inch]	DN [mm]	PN	kv-value ($\Delta p=1$ bar) [l/min]	EPDM Code	FPM Code
3/8	10	10	140	199 286 342	199 286 352
1/2	15	10	200	199 286 343	199 286 353
3/4	20	10	470	199 286 344	199 286 354
1	25	10	793	199 286 345	199 286 355
1 1/4	32	10	1290	199 286 346	199 286 356
1 1/2	40	10	1910	199 286 347	199 286 357
2	50	10	3100	199 286 348	199 286 358

NPT [inch]	D [mm]	H [mm]	H1 [mm]	H2 [mm]	H3 [mm]	H4 [mm]	H5 [mm]	H6 [mm]	L [mm]	L1 [mm]	L2 [mm]	L3 [mm]	L4 [mm]	L5 [mm]	L6 [mm]
3/8	50	159	28	62	97	40	77	8	112	194	72	36	25	261	76
1/2	50	159	28	62	97	40	77	8	114	194	72	36	25	261	76
3/4	58	168	32	71	97	40	77	8	131	194	85	43	25	261	76
1	68	168	36	71	97	40	77	8	154	194	98	49	25	261	76
1 1/4	84	203	45	84	119	51	99	9	180	224	118	59	45	305	95
1 1/2	97	203	51	84	119	51	99	9	203	224	135	68	45	305	95
2	124	225	65	106	119	51	99	9	258	224	176	88	45	305	95

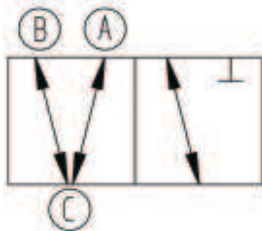
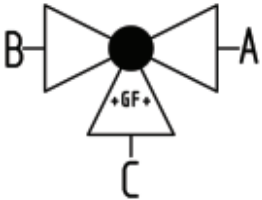
NPT [inch]	L7 [mm]	M	z [mm]	z1 [mm]
3/8	48	6	86	43
1/2	48	6	80	40
3/4	48	6	95	48
1	48	6	110	55
1 1/4	59	8	132	66
1 1/2	59	8	157	79
2	59	8	210	105



PROGEF Standard ASTM/ANSI



PROGEF Standard 3-Way ball valve type 286 Horizontal/T-port DA (Double acting) Without manual override) With threaded sockets NPT reinforced



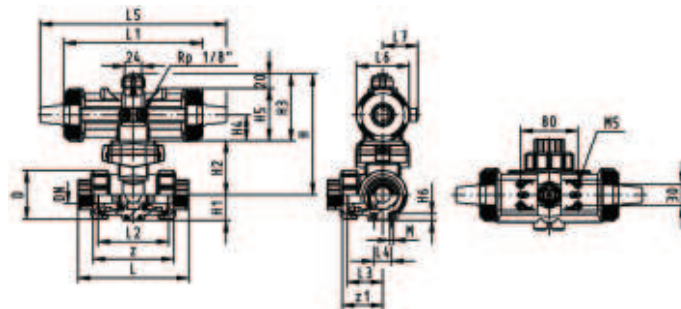
Model:

- Material: PP-H
- Built on with pneumatic actuator PA11 (DN10/15-25), PA21 (DN32-50)
- Basic position A-B-C opened, activated position B-C opened, see flow scheme
- Control time 90°<) 1-3 s
- For easy installation and removal
- Integrated stainless steel mounting inserts

NPT [inch]	DN [mm]	PN	kv-value ($\Delta p=1$ bar) [l/min]	EPDM Code	FPM Code
3/8	10	10	140	199 286 382	199 286 392
1/2	15	10	200	199 286 383	199 286 393
3/4	20	10	470	199 286 384	199 286 394
1	25	10	793	199 286 385	199 286 395
1 1/4	32	10	1290	199 286 386	199 286 396
1 1/2	40	10	1910	199 286 387	199 286 397
2	50	10	3100	199 286 388	199 286 398

NPT [inch]	D [mm]	H [mm]	H1 [mm]	H2 [mm]	H3 [mm]	H4 [mm]	H5 [mm]	H6 [mm]	L [mm]	L1 [mm]	L2 [mm]	L3 [mm]	L4 [mm]	L5 [mm]	L6 [mm]
3/8	50	159	28	62	97	40	77	8	112	194	72	36	25	261	76
1/2	50	159	28	62	97	40	77	8	114	194	72	36	25	261	76
3/4	58	168	32	71	97	40	77	8	131	194	85	43	25	261	76
1	68	168	36	71	97	40	77	8	154	194	98	49	25	261	76
1 1/4	84	203	45	84	119	51	99	9	180	224	118	59	45	305	95
1 1/2	97	203	51	84	119	51	99	9	203	224	135	68	45	305	95
2	124	225	65	106	119	51	99	9	258	224	176	88	45	305	95

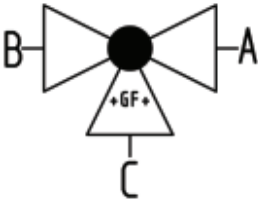
NPT [inch]	L7 [mm]	M	z [mm]	z1 [mm]
3/8	48	6	86	43
1/2	48	6	80	40
3/4	48	6	95	48
1	48	6	110	55
1 1/4	59	8	132	66
1 1/2	59	8	157	79
2	59	8	210	105



PROGEF Plus metric/ASTM/ANSI/BS

Ball valves

**PROGEF Plus oil free
3-Way ball valve type 543
Horizontal/L-port
With fusion sockets metric**

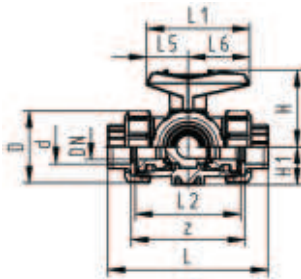


Model:

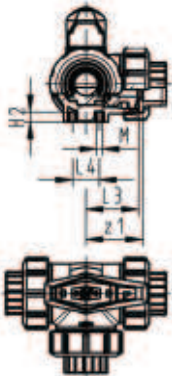
- Material: PP-H / oil free cleaned
- For easy installation and removal (valve end and union nut are compatible with type 546)
- Ball seals PTFE
- Pneumatic or electric actuator available separately
- Angle of operation 360° without turn limiter
- Turn limiter 90° enclosed, in different positions usable as a clip-on ring
- Integrated stainless steel mounting inserts
- Delivery status A-C opened, see flow scheme



d [mm]	DN [mm]	PN	kv-value (Δp=1 bar) [l/min]	EPDM Code	FPM Code
16	10	10	50	167 543 181	167 543 191
20	15	10	75	167 543 182	167 543 192
25	20	10	150	167 543 183	167 543 193
32	25	10	280	167 543 184	167 543 194
40	32	10	480	167 543 185	167 543 195
50	40	10	620	167 543 186	167 543 196
63	50	10	1230	167 543 187	167 543 197



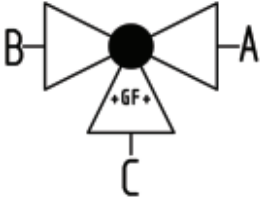
d [mm]	D [mm]	L [mm]	L1 [mm]	L2 [mm]	L3 [mm]	L4 [mm]	L5 [mm]	L6 [mm]	H [mm]	H1 [mm]	H2 [mm]	M	z [mm]	z1 [mm]	closest inch
16	50	110	77	72	36	25	32	45	57	28	8	6	82	41	3/8
20	50	112	77	72	36	25	32	45	57	28	8	6	82	41	1/2
25	58	129	97	85	43	25	39	58	67	32	8	6	97	49	3/4
32	68	146	97	98	49	25	39	58	73	36	8	6	110	55	1
40	84	170	128	118	59	45	54	74	90	45	9	8	132	66	1 1/4
50	97	193	128	135	68	45	54	74	97	51	9	8	151	76	1 1/2
63	124	244	152	176	88	45	66	87	116	65	9	8	188	94	2



PROGEF Plus metric/ASTM/ANSI/BS

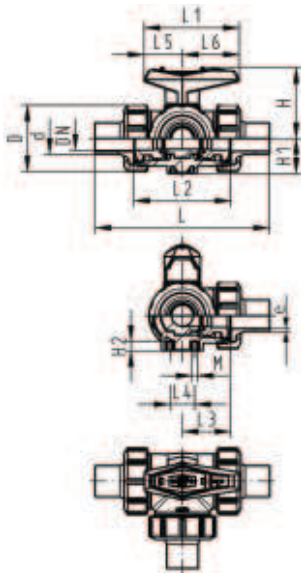


PROGEF Plus oil free 3-Way ball valve type 543 Horizontal/T-port With fusion sockets metric



Model:

- Material: PP-H / oil free cleaned
- For easy installation and removal (valve end and union nut are compatible with type 546)
- Ball seals PTFE
- Pneumatic or electric actuator available separately
- Angle of operation 360° without turn limiter
- Turn limiter 90° enclosed, in different positions usable as a clip-on ring
- Integrated stainless steel mounting inserts
- Delivery status A-B-C opened, see flow scheme



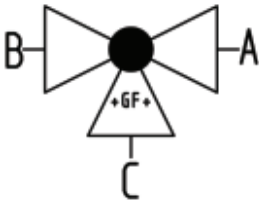
d [mm]	DN [mm]	PN	kv-value ($\Delta p=1$ bar) [l/min]	EPDM Code	FPM Code
16	10	10	140	167 543 381	167 543 391
20	15	10	200	167 543 382	167 543 392
25	20	10	470	167 543 383	167 543 393
32	25	10	793	167 543 384	167 543 394
40	32	10	1290	167 543 385	167 543 395
50	40	10	1910	167 543 386	167 543 396
63	50	10	3100	167 543 387	167 543 397

d [mm]	D [mm]	L [mm]	L1 [mm]	L2 [mm]	L3 [mm]	L4 [mm]	L5 [mm]	L6 [mm]	H [mm]	H1 [mm]	H2 [mm]	M	z [mm]	z1 [mm]	closest inch
16	50	110	77	72	36	25	32	45	57	28	8	6	82	41	3/8
20	50	112	77	72	36	25	32	45	57	28	8	6	82	41	1/2
25	58	129	97	85	43	25	39	58	67	32	8	6	97	49	3/4
32	68	146	97	98	49	25	39	58	73	36	8	6	110	55	1
40	84	170	128	118	59	45	54	74	90	45	9	8	132	66	1 1/4
50	97	193	128	135	68	45	54	74	97	51	9	8	151	76	1 1/2
63	124	244	152	176	88	45	66	87	116	65	9	8	188	94	2

PROGEF Plus metric/ASTM/ANSI/BS

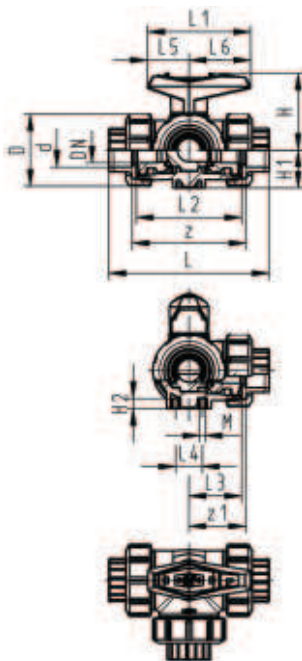


PROGEF Plus silicone free 3-Way ball valve type 543 Horizontal/L-port With fusion sockets metric



Model:

- Material: PP-H / silicone free cleaned
- For easy installation and removal (valve end and union nut are compatible with type 546)
- Pneumatic or electric actuator available separately
- Angle of operation 360° without turn limiter
- Turn limiter 90° enclosed, in different positions usable as a clip-on ring
- Integrated stainless steel mounting inserts
- Delivery status A-C opened, see flow scheme
- Ball seals PVDF



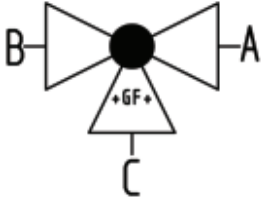
d [mm]	DN [mm]	PN	kv-value (Δp=1 bar) [l/min]	EPDM Code	FPM Code
16	10	10	50	167 543 401	167 543 411
20	15	10	75	167 543 402	167 543 412
25	20	10	150	167 543 403	167 543 413
32	25	10	280	167 543 404	167 543 414
40	32	10	480	167 543 405	167 543 415
50	40	10	620	167 543 406	167 543 416
63	50	10	1230	167 543 407	167 543 417

d [mm]	D [mm]	L [mm]	L1 [mm]	L2 [mm]	L3 [mm]	L4 [mm]	L5 [mm]	L6 [mm]	H [mm]	H1 [mm]	H2 [mm]	M [mm]	z [mm]	z1 [mm]	closest inch
16	50	110	77	72	36	25	32	45	57	28	8	6	82	41	3/8
20	50	112	77	72	36	25	32	45	57	28	8	6	82	41	1/2
25	58	129	97	85	43	25	39	58	67	32	8	6	97	49	3/4
32	68	146	97	98	49	25	39	58	73	36	8	6	110	55	1
40	84	170	128	118	59	45	54	74	90	45	9	8	132	66	1 1/4
50	97	193	128	135	68	45	54	74	97	51	9	8	151	76	1 1/2
63	124	244	152	176	88	45	66	87	116	65	9	8	188	94	2

PROGEF Plus metric/ASTM/ANSI/BS

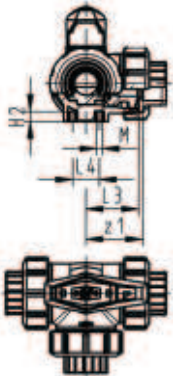
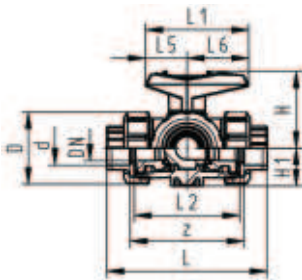


PROGEF Plus silicone free 3-Way ball valve type 543 Horizontal/L-port With fusion sockets metric (US version)



Model:

- Material: PP-H / silicone free cleaned
- For easy installation and removal (valve end and union nut are compatible with type 546)
- Pneumatic or electric actuator available separately
- Angle of operation 360° without turn limiter
- Turn limiter 90° enclosed, in different positions usable as a clip-on ring
- Integrated stainless steel mounting inserts
- Delivery status A-C opened, see flow scheme
- Ball seals PTFE



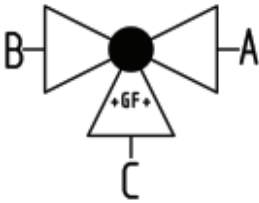
d [mm]	DN [mm]	PN	kv-value ($\Delta p=1$ bar) [l/min]	EPDM Code	FPM Code
16	10	10	50	167 543 661	167 543 671
20	15	10	75	167 543 662	167 543 672
25	20	10	150	167 543 663	167 543 673
32	25	10	280	167 543 664	167 543 674
40	32	10	480	167 543 665	167 543 675
50	40	10	620	167 543 666	167 543 676
63	50	10	1230	167 543 667	167 543 677

d [mm]	D [mm]	L [mm]	L1 [mm]	L2 [mm]	L3 [mm]	L4 [mm]	L5 [mm]	L6 [mm]	H [mm]	H1 [mm]	H2 [mm]	M	z [mm]	z1 [mm]	closest inch
16	50	110	77	72	36	25	32	45	57	28	8	6	82	41	3/8
20	50	112	77	72	36	25	32	45	57	28	8	6	82	41	1/2
25	58	129	97	85	43	25	39	58	67	32	8	6	97	49	3/4
32	68	146	97	98	49	25	39	58	73	36	8	6	110	55	1
40	84	170	128	118	59	45	54	74	90	45	9	8	132	66	1 1/4
50	97	193	128	135	68	45	54	74	97	51	9	8	151	76	1 1/2
63	124	244	152	176	88	45	66	87	116	65	9	8	188	94	2

PROGEF Plus metric/ASTM/ANSI/BS

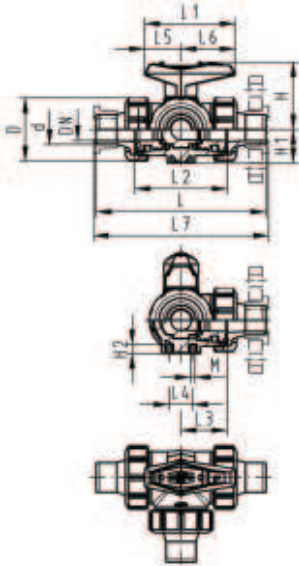


PROGEF Plus silicone free 3-Way ball valve type 543 Horizontal/L-port With socket fusion spigots metric



Model:

- Material: PP-H / silicone free cleaned
- For easy installation and removal (valve end and union nut are compatible with type 546)
- Pneumatic or electric actuator available separately
- Angle of operation 360° without turn limiter
- Turn limiter 90° enclosed, in different positions usable as a clip-on ring
- Integrated stainless steel mounting inserts
- Delivery status A-C opened, see flow scheme
- Ball seals PTFE



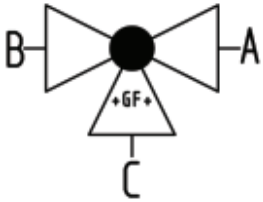
d [mm]	DN [mm]	PN	kv-value ($\Delta p=1$ bar) [l/min]	EPDM Code	FPM Code
16	10	10	50	167 543 421	167 543 431
20	15	10	75	167 543 422	167 543 432
25	20	10	150	167 543 423	167 543 433
32	25	10	280	167 543 424	167 543 434
40	32	10	480	167 543 425	167 543 435
50	40	10	620	167 543 426	167 543 436
63	50	10	1230	167 543 427	167 543 437

d [mm]	D [mm]	L [mm]	L1 [mm]	L2 [mm]	L3 [mm]	L4 [mm]	L5 [mm]	L6 [mm]	L7 [mm]	H [mm]	H1 [mm]	H2 [mm]	M	closest inch
16	50	126	77	72	36	25	32	45	133	57	28	8	6	3/8
20	50	136	77	72	36	25	32	45	144	57	28	8	6	1/2
25	58	159	97	85	43	25	39	58	170	67	32	8	6	3/4
32	68	178	97	98	49	25	39	58	191	73	36	8	6	1
40	84	204	128	118	59	45	54	74	223	90	45	9	8	1 1/4
50	97	237	128	135	68	45	54	74	256	97	51	9	8	1 1/2
63	124	296	152	176	88	45	66	87	319	116	65	9	8	2

PROGEF Plus metric/ASTM/ANSI/BS



**PROGEF Plus silicone free
3-Way ball valve type 543
Horizontal/L-port
With butt fusion spigots IR-Plus
SDR11 metric**

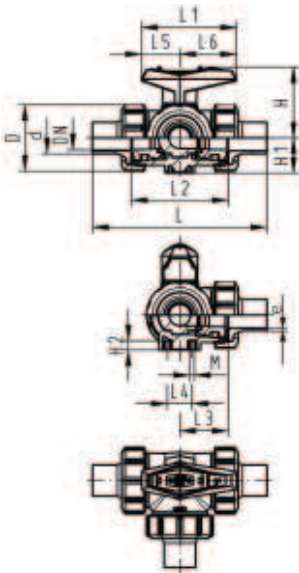


Model:

- Material: PP-H / silicone free cleaned
- For easy installation and removal (valve end and union nut are compatible with type 546)
- Pneumatic or electric actuator available separately
- Angle of operation 360° without turn limiter
- Turn limiter 90° enclosed, in different positions usable as a clip-on ring
- Integrated stainless steel mounting inserts
- Delivery status A-C opened, see flow scheme
- Ball seals PVDF



d [mm]	DN [mm]	PN	kv-value ($\Delta p=1$ bar) [l/min]	EPDM Code	FPM Code
20	15	10	75	167 543 242	167 543 252
25	20	10	150	167 543 243	167 543 253
32	25	10	280	167 543 244	167 543 254
40	32	10	480	167 543 245	167 543 255
50	40	10	620	167 543 246	167 543 256
63	50	10	1230	167 543 247	167 543 257



d [mm]	D [mm]	L [mm]	L1 [mm]	L2 [mm]	L3 [mm]	L4 [mm]	L5 [mm]	L6 [mm]	H [mm]	H1 [mm]	H2 [mm]	M [mm]	e [mm]	closest inch
20	50	146	77	72	36	25	32	45	57	28	8	6	1.9	1/2
25	58	163	97	85	43	25	39	58	67	32	8	6	2.3	3/4
32	68	178	97	98	49	25	39	58	73	36	8	6	3.0	1
40	84	204	128	118	59	45	54	74	90	45	9	8	3.7	1 1/4
50	97	237	128	135	68	45	54	74	97	51	9	8	4.6	1 1/2
63	124	296	152	176	88	45	66	87	116	65	9	8	5.8	2

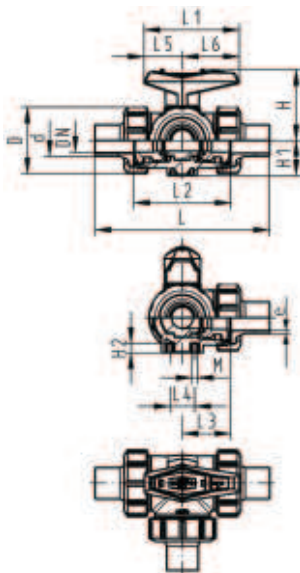
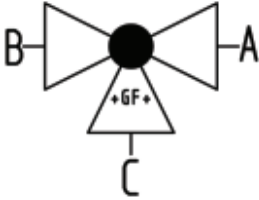
PROGEF Plus metric/ASTM/ANSI/BS



PROGEF Plus silicone free 3-Way ball valve type 543 Horizontal/T-port With fusion sockets metric

Model:

- Material: PP-H / silicone free cleaned
- For easy installation and removal (valve end and union nut are compatible with type 546)
- Pneumatic or electric actuator available separately
- Angle of operation 360° without turn limiter
- Turn limiter 90° enclosed, in different positions usable as a clip-on ring
- Integrated stainless steel mounting inserts
- Delivery status A-B-C opened, see flow scheme
- Ball seals PVDF



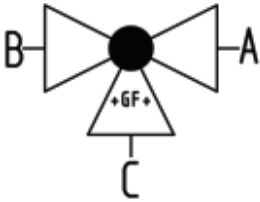
d [mm]	DN [mm]	PN	kv-value (Δp=1 bar) [l/min]	EPDM Code	FPM Code
16	10	10	140	167 543 501	167 543 511
20	15	10	200	167 543 502	167 543 512
25	20	10	470	167 543 503	167 543 513
32	25	10	793	167 543 504	167 543 514
40	32	10	1290	167 543 505	167 543 515
50	40	10	1910	167 543 506	167 543 516
63	50	10	3100	167 543 507	167 543 517

d [mm]	D [mm]	L [mm]	L1 [mm]	L2 [mm]	L3 [mm]	L4 [mm]	L5 [mm]	L6 [mm]	H [mm]	H1 [mm]	H2 [mm]	M [mm]	z [mm]	z1 [mm]	closest inch
16	50	110	77	72	36	25	32	45	57	28	8	6	82	41	3/8
20	50	112	77	72	36	25	32	45	57	28	8	6	82	41	1/2
25	58	129	97	85	43	25	39	58	67	32	8	6	97	49	3/4
32	68	146	97	98	49	25	39	58	73	36	8	6	110	55	1
40	84	170	128	118	59	45	54	74	90	45	9	8	132	66	1 1/4
50	97	193	128	135	68	45	54	74	97	51	9	8	151	76	1 1/2
63	124	244	152	176	88	45	66	87	116	65	9	8	188	94	2

PROGEF Plus metric/ASTM/ANSI/BS

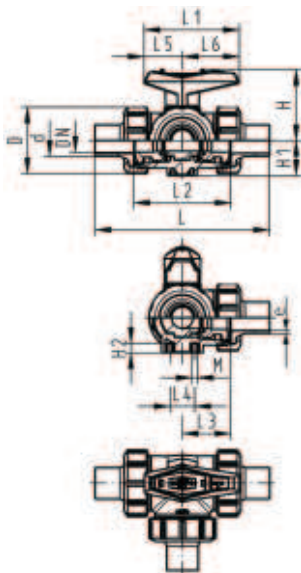


PROGEF Plus silicone free 3-Way ball valve type 543 Horizontal/T-port With fusion sockets metric (US version)



Model:

- Material: PP-H / silicone free cleaned
- For easy installation and removal (valve end and union nut are compatible with type 546)
- Pneumatic or electric actuator available separately
- Angle of operation 360° without turn limiter
- Turn limiter 90° enclosed, in different positions usable as a clip-on ring
- Integrated stainless steel mounting inserts
- Delivery status A-B-C opened, see flow scheme
- Ball seals PTFE



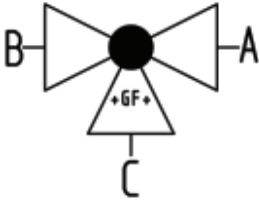
d [mm]	DN [mm]	PN	kv-value (Δp=1 bar) [l/min]	EPDM Code	FPM Code
16	10	10	140	167 543 681	167 543 691
20	15	10	200	167 543 682	167 543 692
25	20	10	470	167 543 683	167 543 693
32	25	10	793	167 543 684	167 543 694
40	32	10	1290	167 543 685	167 543 695
50	40	10	1910	167 543 686	167 543 696
63	50	10	3100	167 543 687	167 543 697

d [mm]	D [mm]	L [mm]	L1 [mm]	L2 [mm]	L3 [mm]	L4 [mm]	L5 [mm]	L6 [mm]	H [mm]	H1 [mm]	H2 [mm]	M	z [mm]	z1 [mm]	closest inch
16	50	110	77	72	36	25	32	45	57	28	8	6	82	41	3/8
20	50	112	77	72	36	25	32	45	57	28	8	6	82	41	1/2
25	58	129	97	85	43	25	39	58	67	32	8	6	97	49	3/4
32	68	146	97	98	49	25	39	58	73	36	8	6	110	55	1
40	84	170	128	118	59	45	54	74	90	45	9	8	132	66	1 1/4
50	97	193	128	135	68	45	54	74	97	51	9	8	151	76	1 1/2
63	124	244	152	176	88	45	66	87	116	65	9	8	188	94	2

PROGEF Plus metric/ASTM/ANSI/BS

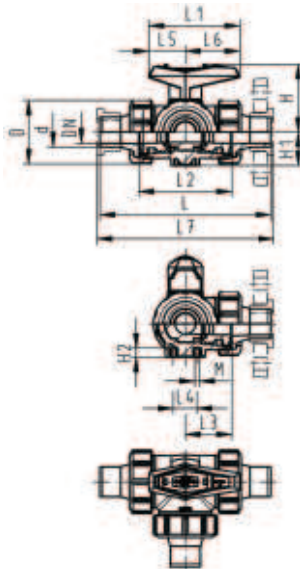


PROGEF Plus silicone free 3-Way ball valve type 543 Horizontal/T-port With socket fusion spigots metric



Model:

- Material: PP-H / silicone free cleaned
- For easy installation and removal (valve end and union nut are compatible with type 546)
- Pneumatic or electric actuator available separately
- Angle of operation 360° without turn limiter
- Turn limiter 90° enclosed, in different positions usable as a clip-on ring
- Integrated stainless steel mounting inserts
- Delivery status A-B-C opened, see flow scheme
- Ball seals PVDF



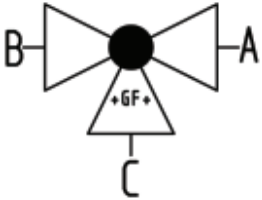
d [mm]	DN [mm]	PN	kv-value ($\Delta p=1$ bar) [l/min]	EPDM Code	FPM Code
16	10	10	140	167 543 521	167 543 531
20	15	10	200	167 543 522	167 543 532
25	20	10	470	167 543 523	167 543 533
32	25	10	793	167 543 524	167 543 534
40	32	10	1290	167 543 525	167 543 535
50	40	10	1910	167 543 526	167 543 536
63	50	10	3100	167 543 527	167 543 537

d [mm]	D [mm]	L [mm]	L1 [mm]	L2 [mm]	L3 [mm]	L4 [mm]	L5 [mm]	L6 [mm]	L7 [mm]	H [mm]	H1 [mm]	H2 [mm]	M	closest inch
16	50	126	77	72	36	25	32	45	133	57	28	8	6	3/8
20	50	136	77	72	36	25	32	45	144	57	28	8	6	1/2
25	58	159	97	85	43	25	39	58	170	67	32	8	6	3/4
32	68	178	97	98	49	25	39	58	191	73	36	8	6	1
40	84	204	128	118	59	45	54	74	223	90	45	9	8	1 1/4
50	97	237	128	135	68	45	54	74	256	97	51	9	8	1 1/2
63	124	296	152	176	88	45	66	87	319	116	65	9	8	2

PROGEF Plus metric/ASTM/ANSI/BS

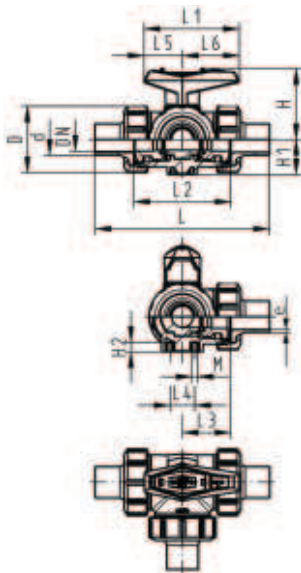


**PROGEF Plus silicone free
3-Way ball valve type 543
Horizontal/T-port
With butt fusion spigots IR-Plus
SDR11 metric**



Model:

- Material: PP-H / silicone free cleaned
- For easy installation and removal (valve end and union nut are compatible with type 546)
- Pneumatic or electric actuator available separately
- Angle of operation 360° without turn limiter
- Turn limiter 90° enclosed, in different positions usable as a clip-on ring
- Integrated stainless steel mounting inserts
- Delivery status A-B-C opened, see flow scheme
- Ball seals PVDF



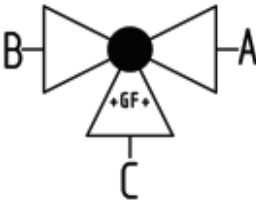
d [mm]	DN [mm]	PN	kv-value ($\Delta p=1$ bar) [l/min]	EPDM Code	FPM Code
20	15	10	200	167 543 542	167 543 552
25	20	10	470	167 543 543	167 543 553
32	25	10	793	167 543 544	167 543 554
40	32	10	1290	167 543 545	167 543 555
50	40	10	1910	167 543 546	167 543 556
63	50	10	3100	167 543 547	167 543 557

d [mm]	D [mm]	L [mm]	L1 [mm]	L2 [mm]	L3 [mm]	L4 [mm]	L5 [mm]	L6 [mm]	H [mm]	H1 [mm]	H2 [mm]	M	e [mm]	closest inch
20	50	146	77	72	36	25	32	45	57	28	8	6	1.9	1/2
25	58	163	97	85	43	25	39	58	67	32	8	6	2.3	3/4
32	68	178	97	98	49	25	39	58	73	36	8	6	3.0	1
40	84	204	128	118	59	45	54	74	90	45	9	8	3.7	1 1/4
50	97	237	128	135	68	45	54	74	97	51	9	8	4.6	1 1/2
63	124	296	152	176	88	45	66	87	116	65	9	8	5.8	2

SYGEF Standard metric/ASTM/ANSI

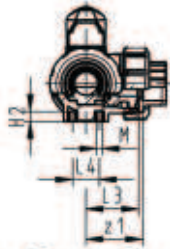
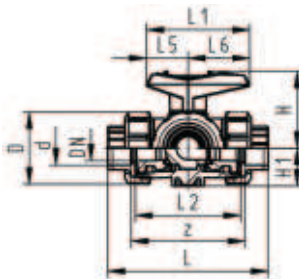
Ball valves

SYGEF Standard 3-Way ball valve type 543 Horizontal/L-port With fusion sockets metric



Model:

- Material: PVDF
- For easy installation and removal (valve end and union nut are compatible with type 546)
- Ball seals PTFE
- Pneumatic or electric actuator available separately
- Angle of operation 360° without turn limiter
- Turn limiter 90° enclosed, in different positions usable as a clip-on ring
- Integrated stainless steel mounting inserts
- Delivery status A-C opened, see flow scheme



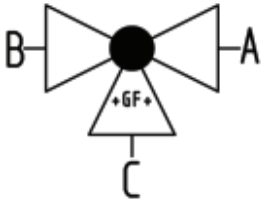
d [mm]	DN [mm]	PN	kv-value (Δp=1 bar) [l/min]	FPM Code
16	10	10	50	175 543 011
20	15	10	75	175 543 012
25	20	10	150	175 543 013
32	25	10	280	175 543 014
40	32	10	480	175 543 015
50	40	10	620	175 543 016
63	50	10	1230	175 543 017

d [mm]	D [mm]	L [mm]	L1 [mm]	L2 [mm]	L3 [mm]	L4 [mm]	L5 [mm]	L6 [mm]	H [mm]	H1 [mm]	H2 [mm]	M	z [mm]	z1 [mm]	closest inch
16	50	110	77	72	36	25	32	45	57	28	8	6	82	41	3/8
20	50	112	77	72	36	25	32	45	57	28	8	6	82	41	1/2
25	58	129	97	85	43	25	39	58	67	32	8	6	97	49	3/4
32	68	146	97	98	49	25	39	58	73	36	8	6	110	55	1
40	84	170	128	118	59	45	54	74	90	45	9	8	132	66	1 1/4
50	97	193	128	135	68	45	54	74	97	51	9	8	151	76	1 1/2
63	124	244	152	176	88	45	66	87	116	65	9	8	188	94	2

SYGEF Standard metric/ASTM/ANSI

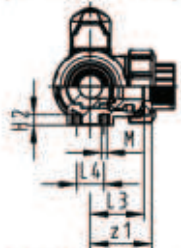
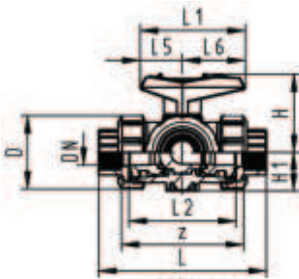


SYGEF Standard 3-Way ball valve type 543 Horizontal/L-port With threaded sockets NPT



Model:

- Material: PVDF
- For easy installation and removal (valve end and union nut are compatible with type 546)
- Ball seals PTFE
- Pneumatic or electric actuator available separately
- Angle of operation 360° without turn limiter
- Turn limiter 90° enclosed, in different positions usable as a clip-on ring
- Integrated stainless steel mounting inserts
- Delivery status A-C opened, see flow scheme



NPT [inch]	DN [mm]	PN	kv-value ($\Delta p=1$ bar) [l/min]	FPM Code
3/8	10	10	50	175 543 071
1/2	15	10	75	175 543 072
3/4	20	10	150	175 543 073
1	25	10	280	175 543 074
1 1/4	32	10	480	175 543 075
1 1/2	40	10	620	175 543 076
2	50	10	1230	175 543 077

NPT [inch]	D [mm]	L [mm]	L1 [mm]	L2 [mm]	L3 [mm]	L4 [mm]	L5 [mm]	L6 [mm]	H [mm]	H1 [mm]	H2 [mm]	M	z [mm]	z1 [mm]
3/8	50	112	77	72	36	25	32	45	57	28	8	6	86	43
1/2	50	114	77	72	36	25	32	45	57	28	8	6	80	40
3/4	58	131	97	85	43	25	39	58	67	32	8	6	95	48
1	68	154	97	98	49	25	39	58	73	36	8	6	110	55
1 1/4	84	180	128	118	59	45	54	74	90	45	9	8	132	66
1 1/2	97	203	128	135	68	45	54	74	97	51	9	8	157	79
2	124	258	152	176	88	45	66	87	116	65	9	8	210	105

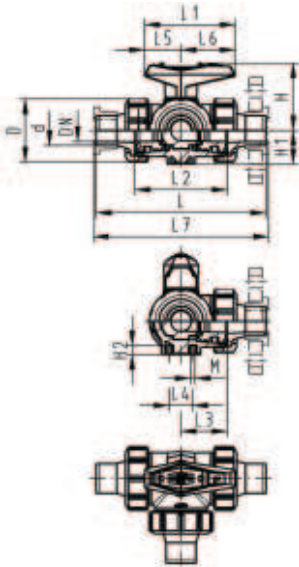
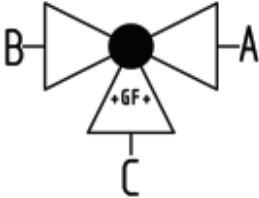
SYGEF Standard metric/ASTM/ANSI



SYGEF Standard 3-Way ball valve type 543 Horizontal/L-port With socket fusion spigots metric

Model:

- Material: PVDF
- For easy installation and removal (valve end and union nut are compatible with type 546)
- Ball seals PTFE
- Pneumatic or electric actuator available separately
- Angle of operation 360° without turn limiter
- Turn limiter 90° enclosed, in different positions usable as a clip-on ring
- Integrated stainless steel mounting inserts
- Delivery status A-C opened, see flow scheme



d [mm]	DN [mm]	PN	kv-value ($\Delta p=1$ bar) [l/min]	FPM Code
16	10	10	50	175 543 031
20	15	10	75	175 543 032
25	20	10	150	175 543 033
32	25	10	280	175 543 034
40	32	10	480	175 543 035
50	40	10	620	175 543 036
63	50	10	1230	175 543 037

d [mm]	D [mm]	L [mm]	L1 [mm]	L2 [mm]	L3 [mm]	L4 [mm]	L5 [mm]	L6 [mm]	L7 [mm]	H [mm]	H1 [mm]	H2 [mm]	M	closest inch
16	50	126	77	72	36	25	32	45	133	57	28	8	6	3/8
20	50	136	77	72	36	25	32	45	144	57	28	8	6	1/2
25	58	159	97	85	43	25	39	58	170	67	32	8	6	3/4
32	68	178	97	98	49	25	39	58	191	73	36	8	6	1
40	84	204	128	118	59	45	54	74	223	90	45	9	8	1 1/4
50	97	237	128	135	68	45	54	74	256	97	51	9	8	1 1/2
63	124	296	152	176	88	45	66	87	319	116	65	9	8	2

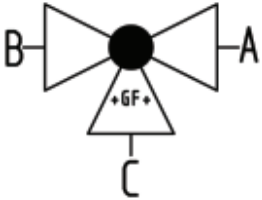
SYGEF Standard metric/ASTM/ANSI



SYGEF Standard 3-Way ball valve type 543 Horizontal/L-port

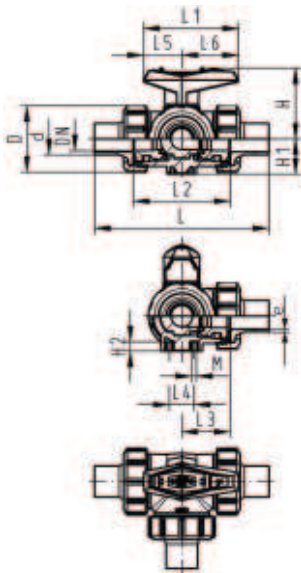


With butt fusion spigots IR-Plus metric



Model:

- Material: PVDF
- For easy installation and removal (valve end and union nut are compatible with type 546)
- Ball seals PTFE
- Pneumatic or electric actuator available separately
- Angle of operation 360° without turn limiter
- Turn limiter 90° enclosed, in different positions usable as a clip-on ring
- Integrated stainless steel mounting inserts
- Delivery status A-C opened, see flow scheme



d [mm]	DN [mm]	PN	kv-value ($\Delta p=1$ bar) [l/min]	FPM Code
20	15	10	75	175 543 052
25	20	10	150	175 543 053
32	25	10	280	175 543 054
40	32	10	480	175 543 055
50	40	10	620	175 543 056
63	50	10	1230	175 543 057

d [mm]	D [mm]	L [mm]	L1 [mm]	L2 [mm]	L3 [mm]	L4 [mm]	L5 [mm]	L6 [mm]	H [mm]	H1 [mm]	H2 [mm]	M	e [mm]	closest inch
20	50	146	77	72	36	25	32	45	57	28	8	6	1.9	1/2
25	58	163	97	85	43	25	39	58	67	32	8	6	1.9	3/4
32	68	178	97	98	49	25	39	58	73	36	8	6	2.4	1
40	84	204	128	118	59	45	54	74	90	45	9	8	2.4	1 1/4
50	97	237	128	135	68	45	54	74	97	51	9	8	3.0	1 1/2
63	124	296	152	176	88	45	66	87	116	65	9	8	3.0	2

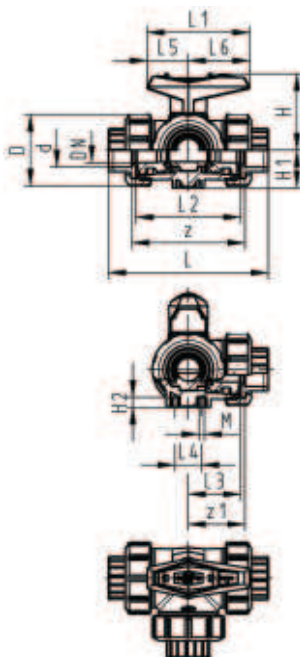
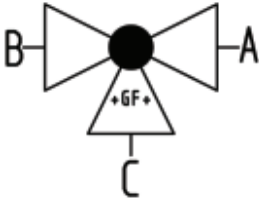
SYGEF Standard metric/ASTM/ANSI



SYGEF Standard 3-Way ball valve type 543 Horizontal/T-port With fusion sockets metric

Model:

- Material: PVDF
- For easy installation and removal (valve end and union nut are compatible with type 546)
- Ball seals PTFE
- Pneumatic or electric actuator available separately
- Angle of operation 360° without turn limiter
- Turn limiter 90° enclosed, in different positions usable as a clip-on ring
- Integrated stainless steel mounting inserts
- Delivery status A-B-C opened, see flow scheme



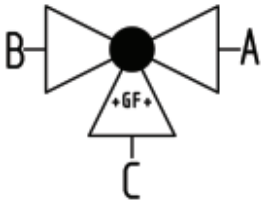
d [mm]	DN [mm]	PN	kv-value ($\Delta p=1$ bar) [l/min]	FPM Code
16	10	10	140	175 543 111
20	15	10	200	175 543 112
25	20	10	470	175 543 113
32	25	10	793	175 543 114
40	32	10	1290	175 543 115
50	40	10	1910	175 543 116
63	50	10	3100	175 543 117

d [mm]	D [mm]	L [mm]	L1 [mm]	L2 [mm]	L3 [mm]	L4 [mm]	L5 [mm]	L6 [mm]	H [mm]	H1 [mm]	H2 [mm]	M	z [mm]	z1 [mm]	closest inch
16	50	110	77	72	36	25	32	45	57	28	8	6	82	41	3/8
20	50	112	77	72	36	25	32	45	57	28	8	6	82	41	1/2
25	58	129	97	85	43	25	39	58	67	32	8	6	97	49	3/4
32	68	146	97	98	49	25	39	58	73	36	8	6	110	55	1
40	84	170	128	118	59	45	54	74	90	45	9	8	132	66	1 1/4
50	97	193	128	135	68	45	54	74	97	51	9	8	151	76	1 1/2
63	124	244	152	176	88	45	66	87	116	65	9	8	188	94	2

SYGEF Standard metric/ASTM/ANSI

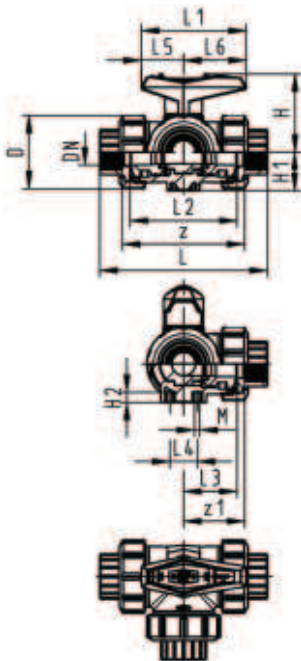


SYGEF Standard 3-Way ball valve type 543 Horizontal/T-port With threaded sockets NPT



Model:

- Material: PVDF
- For easy installation and removal (valve end and union nut are compatible with type 546)
- Ball seals PTFE
- Pneumatic or electric actuator available separately
- Angle of operation 360° without turn limiter
- Turn limiter 90° enclosed, in different positions usable as a clip-on ring
- Integrated stainless steel mounting inserts
- Delivery status A-B-C opened, see flow scheme



NPT [inch]	DN [mm]	PN	kv-value ($\Delta p=1$ bar) [l/min]	FPM Code
3/8	10	10	140	175 543 171
1/2	15	10	200	175 543 172
3/4	20	10	470	175 543 173
1	25	10	793	175 543 174
1 1/4	32	10	1290	175 543 175
1 1/2	40	10	1910	175 543 176
2	50	10	3100	175 543 177

NPT [inch]	D [mm]	L [mm]	L1 [mm]	L2 [mm]	L3 [mm]	L4 [mm]	L5 [mm]	L6 [mm]	H [mm]	H1 [mm]	H2 [mm]	M	z [mm]	z1 [mm]
3/8	50	112	77	72	36	25	32	45	57	28	8	6	86	43
1/2	50	114	77	72	36	25	32	45	57	28	8	6	80	40
3/4	58	131	97	85	43	25	39	58	67	32	8	6	95	48
1	68	154	97	98	49	25	39	58	73	36	8	6	110	55
1 1/4	84	180	128	118	59	45	54	74	90	45	9	8	132	66
1 1/2	97	203	128	135	68	45	54	74	97	51	9	8	157	79
2	124	258	152	176	88	45	66	87	116	65	9	8	210	105

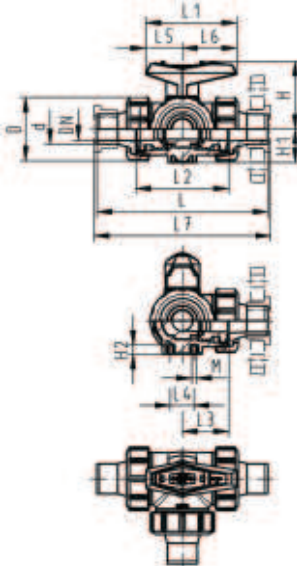
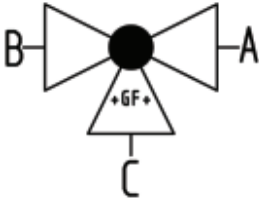
SYGEF Standard metric/ASTM/ANSI



SYGEF Standard 3-Way ball valve type 543 Horizontal/T-port With socket fusion spigots metric

Model:

- Material: PVDF
- For easy installation and removal (valve end and union nut are compatible with type 546)
- Ball seals PTFE
- Pneumatic or electric actuator available separately
- Angle of operation 360° without turn limiter
- Turn limiter 90° enclosed, in different positions usable as a clip-on ring
- Integrated stainless steel mounting inserts
- Delivery status A-B-C opened, see flow scheme



d [mm]	DN [mm]	PN	kv-value ($\Delta p=1$ bar) [l/min]	FPM Code
16	10	10	140	175 543 131
20	15	10	200	175 543 132
25	20	10	470	175 543 133
32	25	10	793	175 543 134
40	32	10	1290	175 543 135
50	40	10	1910	175 543 136
63	50	10	3100	175 543 137

d [mm]	D [mm]	L [mm]	L1 [mm]	L2 [mm]	L3 [mm]	L4 [mm]	L5 [mm]	L6 [mm]	L7 [mm]	H [mm]	H1 [mm]	H2 [mm]	M	closest inch
16	50	126	77	72	36	25	32	45	133	57	28	8	6	3/8
20	50	136	77	72	36	25	32	45	144	57	28	8	6	1/2
25	58	159	97	85	43	25	39	58	170	67	32	8	6	3/4
32	68	178	97	98	49	25	39	58	191	73	36	8	6	1
40	84	204	128	118	59	45	54	74	223	90	45	9	8	1 1/4
50	97	237	128	135	68	45	54	74	256	97	51	9	8	1 1/2
63	124	296	152	176	88	45	66	87	319	116	65	9	8	2

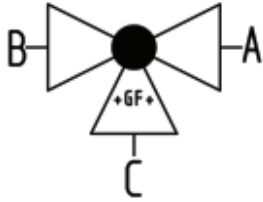
SYGEF Standard metric/ASTM/ANSI



SYGEF Standard 3-Way ball valve type 543 Horizontal/T-port



With butt fusion spigots IR-Plus metric

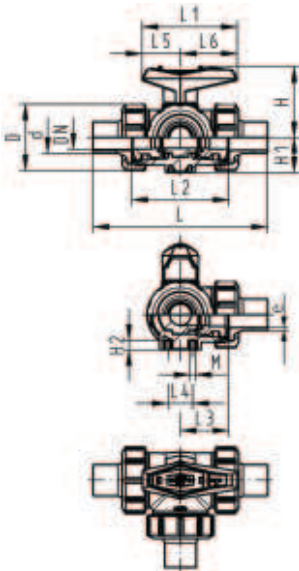


Model:

- Material: PVDF
- For easy installation and removal (valve end and union nut are compatible with type 546)
- Ball seals PTFE
- Pneumatic or electric actuator available separately
- Angle of operation 360° without turn limiter
- Turn limiter 90° enclosed, in different positions usable as a clip-on ring
- Integrated stainless steel mounting inserts
- Delivery status A-B-C opened, see flow scheme



d [mm]	DN [mm]	PN	kv-value ($\Delta p=1$ bar) [l/min]	FPM Code
20	15	10	200	175 543 152
25	20	10	470	175 543 153
32	25	10	793	175 543 154
40	32	10	1290	175 543 155
50	40	10	1910	175 543 156
63	50	10	3100	175 543 157



d [mm]	D [mm]	L [mm]	L1 [mm]	L2 [mm]	L3 [mm]	L4 [mm]	L5 [mm]	L6 [mm]	H [mm]	H1 [mm]	H2 [mm]	M	e [mm]	closest inch
20	50	146	77	72	36	25	32	45	57	28	8	6	1.9	1/2
25	58	163	97	85	43	25	39	58	67	32	8	6	1.9	3/4
32	68	178	97	98	49	25	39	58	73	36	8	6	2.4	1
40	84	204	128	118	59	45	54	74	90	45	9	8	2.4	1 1/4
50	97	237	128	135	68	45	54	74	97	51	9	8	3.0	1 1/2
63	124	296	152	176	88	45	66	87	116	65	9	8	3.0	2

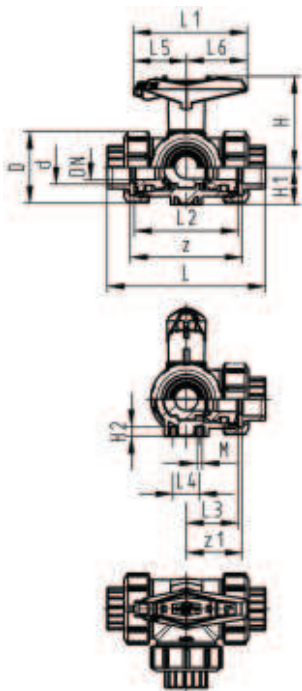
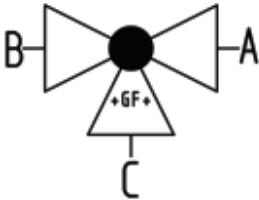
SYGEF Standard metric/ASTM/ANSI



SYGEF Standard 3-Way ball valve type 543 Horizontal/L-port With lockable handle With fusion sockets metric

Model:

- Material: PVDF
- For easy installation and removal (valve end and union nut are compatible with type 546)
- Ball seals PTFE
- Pneumatic or electric actuator available separately
- Angle of operation 360° without turn limiter
- Turn limiter 90° enclosed, in different positions usable as a clip-on ring
- Integrated stainless steel mounting inserts
- Multifunctional lever red with ratched setting 45°, lockable
- Delivery status A-C opened, see flow scheme



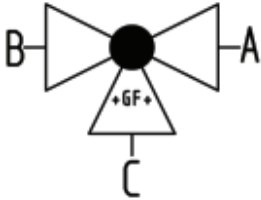
d [mm]	DN [mm]	PN	kv-value ($\Delta p=1$ bar) [l/min]	FPM Code
16	10	10	50	175 543 641
20	15	10	75	175 543 642
25	20	10	150	175 543 643
32	25	10	280	175 543 644
40	32	10	480	175 543 645
50	40	10	620	175 543 646
63	50	10	1230	175 543 647

d [mm]	D [mm]	L [mm]	L1 [mm]	L2 [mm]	L3 [mm]	L4 [mm]	L5 [mm]	L6 [mm]	H [mm]	H1 [mm]	H2 [mm]	M [mm]	z [mm]	z1 [mm]	closest inch
16	50	110	87	72	36	25	42	45	79	28	8	6	82	41	3/8
20	50	112	87	72	36	25	42	45	79	28	8	6	82	41	1/2
25	58	129	108	85	43	25	50	58	88	32	8	6	97	49	3/4
32	68	146	108	98	49	25	50	58	94	36	8	6	110	55	1
40	84	170	141	118	59	45	66	75	113	45	9	8	132	66	1 1/4
50	97	193	141	135	68	45	66	75	119	51	9	8	151	76	1 1/2
63	124	244	165	176	88	45	78	87	141	65	9	8	188	94	2

SYGEF Standard metric/ASTM/ANSI

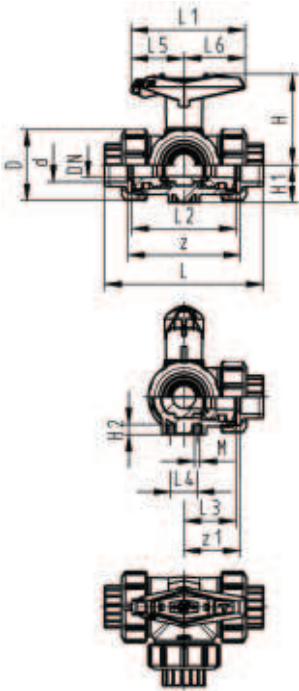


SYGEF Standard 3-Way ball valve type 543 Horizontal/T-port With lockable handle With fusion sockets metric



Model:

- Material: PVDF
- For easy installation and removal (valve end and union nut are compatible with type 546)
- Ball seals PTFE
- Pneumatic or electric actuator available separately
- Angle of operation 360° without turn limiter
- Turn limiter 90° enclosed, in different positions usable as a clip-on ring
- Integrated stainless steel mounting inserts
- Multifunctional lever red with ratched setting 45°, lockable
- Delivery status A-B-C opened, see flow scheme



d [mm]	DN [mm]	PN	kv-value ($\Delta p=1$ bar) [l/min]	FPM Code
16	10	10	140	175 543 651
20	15	10	200	175 543 652
25	20	10	470	175 543 653
32	25	10	793	175 543 654
40	32	10	1290	175 543 655
50	40	10	1910	175 543 656
63	50	10	3100	175 543 657

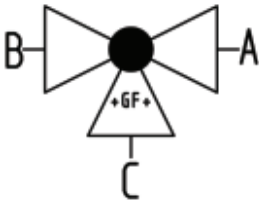
d [mm]	D [mm]	L [mm]	L1 [mm]	L2 [mm]	L3 [mm]	L4 [mm]	L5 [mm]	L6 [mm]	H [mm]	H1 [mm]	H2 [mm]	M	z [mm]	z1 [mm]	closest inch
16	50	110	87	72	36	25	42	45	79	28	8	6	82	41	3/8
20	50	112	87	72	36	25	42	45	79	28	8	6	82	41	1/2
25	58	129	108	85	43	25	50	58	88	32	8	6	97	49	3/4
32	68	146	108	98	49	25	50	58	94	36	8	6	110	55	1
40	84	170	141	118	59	45	66	75	113	45	9	8	132	66	1 1/4
50	97	193	141	135	68	45	66	75	119	51	9	8	151	76	1 1/2
63	124	244	165	176	88	45	78	87	141	65	9	8	188	94	2

SYGEF Standard metric/ASTM/ANSI

Ball valves silicone free/paint compatible

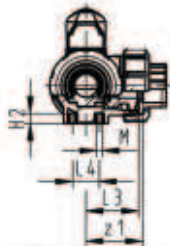
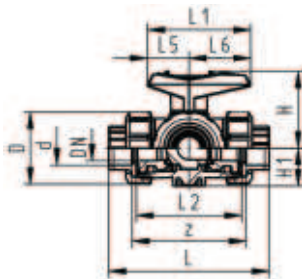


SYGEF Standard silicone free 3-Way ball valve type 543 Horizontal/L-port With fusion sockets metric



Model:

- Material: PVDF / silicone free cleaned
- For easy installation and removal (valve end and union nut are compatible with type 546)
- Pneumatic or electric actuator available separately
- Angle of operation 360° without turn limiter
- Turn limiter 90° enclosed, in different positions usable as a clip-on ring
- Integrated stainless steel mounting inserts
- Delivery status A-C opened, see flow scheme
- Ball seals PVDF



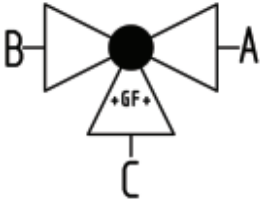
d [mm]	DN [mm]	PN	kv-value (Δp=1 bar) [l/min]	FPM Code
16	10	10	50	175 543 211
20	15	10	75	175 543 212
25	20	10	150	175 543 213
32	25	10	280	175 543 214
40	32	10	480	175 543 215
50	40	10	620	175 543 216
63	50	10	1230	175 543 217

d [mm]	D [mm]	L [mm]	L1 [mm]	L2 [mm]	L3 [mm]	L4 [mm]	L5 [mm]	L6 [mm]	H [mm]	H1 [mm]	H2 [mm]	M	z [mm]	z1 [mm]	closest inch
16	50	110	77	72	36	25	32	45	57	28	8	6	82	41	3/8
20	50	112	77	72	36	25	32	45	57	28	8	6	82	41	1/2
25	58	129	97	85	43	25	39	58	67	32	8	6	97	49	3/4
32	68	146	97	98	49	25	39	58	73	36	8	6	110	55	1
40	84	170	128	118	59	45	54	74	90	45	9	8	132	66	1 1/4
50	97	193	128	135	68	45	54	74	97	51	9	8	151	76	1 1/2
63	124	244	152	176	88	45	66	87	116	65	9	8	188	94	2

SYGEF Standard metric/ASTM/ANSI



SYGEF Standard silicone free 3-Way ball valve type 543 Horizontal/L-port With fusion sockets metric (US version)

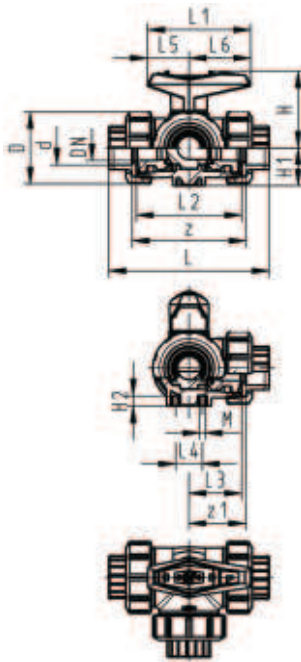


Model:

- Material: PVDF / silicone free cleaned
- For easy installation and removal (valve end and union nut are compatible with type 546)
- Pneumatic or electric actuator available separately
- Angle of operation 360° without turn limiter
- Turn limiter 90° enclosed, in different positions usable as a clip-on ring
- Integrated stainless steel mounting inserts
- Delivery status A-C opened, see flow scheme
- Ball seals PTFE



d [mm]	DN [mm]	PN	kv-value ($\Delta p=1$ bar) [l/min]	FPM Code
16	10	10	50	175 543 411
20	15	10	75	175 543 412
25	20	10	150	175 543 413
32	25	10	280	175 543 414
40	32	10	480	175 543 415
50	40	10	620	175 543 416
63	50	10	1230	175 543 417



d [mm]	D [mm]	L [mm]	L1 [mm]	L2 [mm]	L3 [mm]	L4 [mm]	L5 [mm]	L6 [mm]	H [mm]	H1 [mm]	H2 [mm]	M	z [mm]	z1 [mm]	closest inch
16	50	110	77	72	36	25	32	45	57	28	8	6	82	41	3/8
20	50	112	77	72	36	25	32	45	57	28	8	6	82	41	1/2
25	58	129	97	85	43	25	39	58	67	32	8	6	97	49	3/4
32	68	146	97	98	49	25	39	58	73	36	8	6	110	55	1
40	84	170	128	118	59	45	54	74	90	45	9	8	132	66	1 1/4
50	97	193	128	135	68	45	54	74	97	51	9	8	151	76	1 1/2
63	124	244	152	176	88	45	66	87	116	65	9	8	188	94	2

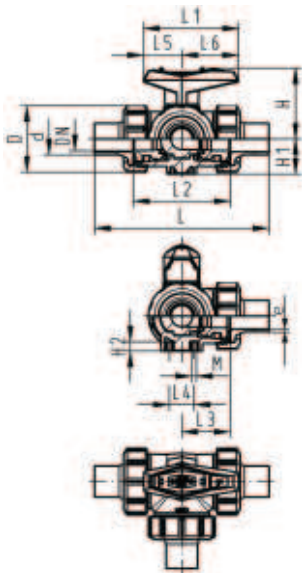
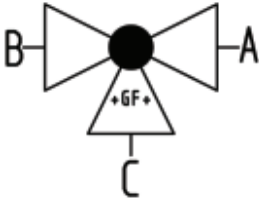
SYGEF Standard metric/ASTM/ANSI



SYGEF Standard silicone free 3-Way ball valve type 543 Horizontal/L-port With butt fusion spigots IR-Plus metric

Model:

- Material: PVDF / silicone free cleaned
- For easy installation and removal (valve end and union nut are compatible with type 546)
- Pneumatic or electric actuator available separately
- Angle of operation 360° without turn limiter
- Turn limiter 90° enclosed, in different positions usable as a clip-on ring
- Integrated stainless steel mounting inserts
- Delivery status A-C opened, see flow scheme
- Ball seals PVDF



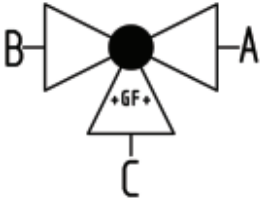
d [mm]	DN [mm]	PN	kv-value ($\Delta p=1$ bar) [l/min]	FPM Code										
20	15	10	75	175 543 252										
25	20	10	150	175 543 253										
32	25	10	280	175 543 254										
40	32	10	480	175 543 255										
50	40	10	620	175 543 256										
63	50	10	1230	175 543 257										

d [mm]	D [mm]	L [mm]	L1 [mm]	L2 [mm]	L3 [mm]	L4 [mm]	L5 [mm]	L6 [mm]	H [mm]	H1 [mm]	H2 [mm]	M [mm]	e [mm]	closest inch
20	50	146	77	72	36	25	32	45	57	28	8	6	1.9	1/2
25	58	163	97	85	43	25	39	58	67	32	8	6	1.9	3/4
32	68	178	97	98	49	25	39	58	73	36	8	6	2.4	1
40	84	204	128	118	59	45	54	74	90	45	9	8	2.4	1 1/4
50	97	237	128	135	68	45	54	74	97	51	9	8	3.0	1 1/2
63	124	296	152	176	88	45	66	87	116	65	9	8	3.0	2

SYGEF Standard metric/ASTM/ANSI



SYGEF Standard silicone free 3-Way ball valve type 543 Horizontal/T-port With fusion sockets metric

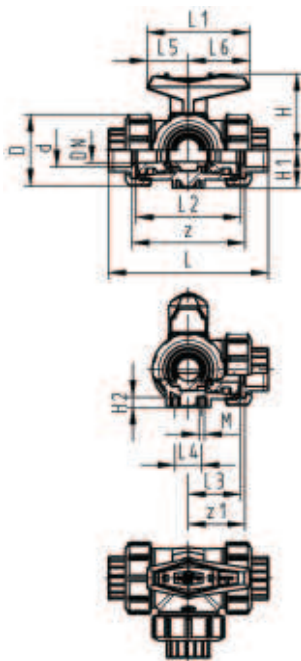


Model:

- Material: PVDF / silicone free cleaned
- For easy installation and removal (valve end and union nut are compatible with type 546)
- Pneumatic or electric actuator available separately
- Angle of operation 360° without turn limiter
- Turn limiter 90° enclosed, in different positions usable as a clip-on ring
- Integrated stainless steel mounting inserts
- Delivery status A-B-C opened, see flow scheme
- Ball seals PVDF



d [mm]	DN [mm]	PN	kv-value ($\Delta p=1$ bar) [l/min]	FPM Code
16	10	10	140	175 543 311
20	15	10	200	175 543 312
25	20	10	470	175 543 313
32	25	10	793	175 543 314
40	32	10	1290	175 543 315
50	40	10	1910	175 543 316
63	50	10	3100	175 543 317



d [mm]	D [mm]	L [mm]	L1 [mm]	L2 [mm]	L3 [mm]	L4 [mm]	L5 [mm]	L6 [mm]	H [mm]	H1 [mm]	H2 [mm]	M	z [mm]	z1 [mm]	closest inch
16	50	110	77	72	36	25	32	45	57	28	8	6	82	41	3/8
20	50	112	77	72	36	25	32	45	57	28	8	6	82	41	1/2
25	58	129	97	85	43	25	39	58	67	32	8	6	97	49	3/4
32	68	146	97	98	49	25	39	58	73	36	8	6	110	55	1
40	84	170	128	118	59	45	54	74	90	45	9	8	132	66	1 1/4
50	97	193	128	135	68	45	54	74	97	51	9	8	151	76	1 1/2
63	124	244	152	176	88	45	66	87	116	65	9	8	188	94	2

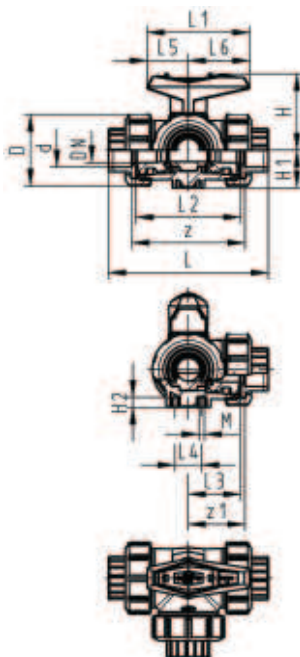
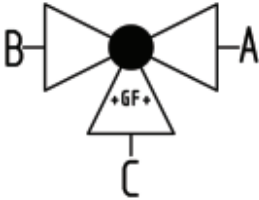
SYGEF Standard metric/ASTM/ANSI



SYGEF Standard silicone free 3-Way ball valve type 543 Horizontal/T-port With fusion sockets metric (US version)

Model:

- Material: PVDF / silicone free cleaned
- For easy installation and removal (valve end and union nut are compatible with type 546)
- Pneumatic or electric actuator available separately
- Angle of operation 360° without turn limiter
- Turn limiter 90° enclosed, in different positions usable as a clip-on ring
- Integrated stainless steel mounting inserts
- Delivery status A-B-C opened, see flow scheme
- Ball seals PTFE



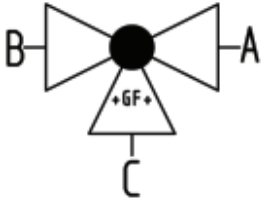
d [mm]	DN [mm]	PN	kv-value ($\Delta p=1$ bar) [l/min]	FPM Code
16	10	10	140	175 543 511
20	15	10	200	175 543 512
25	20	10	470	175 543 513
32	25	10	793	175 543 514
40	32	10	1290	175 543 515
50	40	10	1910	175 543 516
63	50	10	3100	175 543 517

d [mm]	D [mm]	L [mm]	L1 [mm]	L2 [mm]	L3 [mm]	L4 [mm]	L5 [mm]	L6 [mm]	H [mm]	H1 [mm]	H2 [mm]	M [mm]	z [mm]	z1 [mm]	closest inch
16	50	110	77	72	36	25	32	45	57	28	8	6	82	41	3/8
20	50	112	77	72	36	25	32	45	57	28	8	6	82	41	1/2
25	58	129	97	85	43	25	39	58	67	32	8	6	97	49	3/4
32	68	146	97	98	49	25	39	58	73	36	8	6	110	55	1
40	84	170	128	118	59	45	54	74	90	45	9	8	132	66	1 1/4
50	97	193	128	135	68	45	54	74	97	51	9	8	151	76	1 1/2
63	124	244	152	176	88	45	66	87	116	65	9	8	188	94	2

SYGEF Standard metric/ASTM/ANSI



SYGEF Standard silicone free 3-Way ball valve type 543 Horizontal/T-port With butt fusion spigots IR-Plus metric

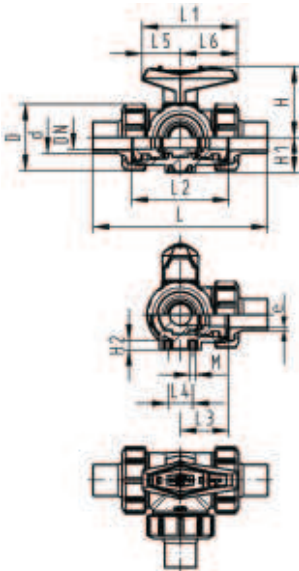


Model:

- Material: PVDF / silicone free cleaned
- For easy installation and removal (valve end and union nut are compatible with type 546)
- Pneumatic or electric actuator available separately
- Angle of operation 360° without turn limiter
- Turn limiter 90° enclosed, in different positions usable as a clip-on ring
- Integrated stainless steel mounting inserts
- Delivery status A-B-C opened, see flow scheme
- Ball seals PVDF



d [mm]	DN [mm]	PN	kv-value ($\Delta p=1$ bar) [l/min]	FPM Code
20	15	10	200	175 543 352
25	20	10	470	175 543 353
32	25	10	793	175 543 354
40	32	10	1290	175 543 355
50	40	10	1910	175 543 356
63	50	10	3100	175 543 357



d [mm]	D [mm]	L [mm]	L1 [mm]	L2 [mm]	L3 [mm]	L4 [mm]	L5 [mm]	L6 [mm]	H [mm]	H1 [mm]	H2 [mm]	M	e [mm]	closest inch
20	50	146	77	72	36	25	32	45	57	28	8	6	1.9	1/2
25	58	163	97	85	43	25	39	58	67	32	8	6	1.9	3/4
32	68	178	97	98	49	25	39	58	73	36	8	6	2.4	1
40	84	204	128	118	59	45	54	74	90	45	9	8	2.4	1 1/4
50	97	237	128	135	68	45	54	74	97	51	9	8	3.0	1 1/2
63	124	296	152	176	88	45	66	87	116	65	9	8	3.0	2

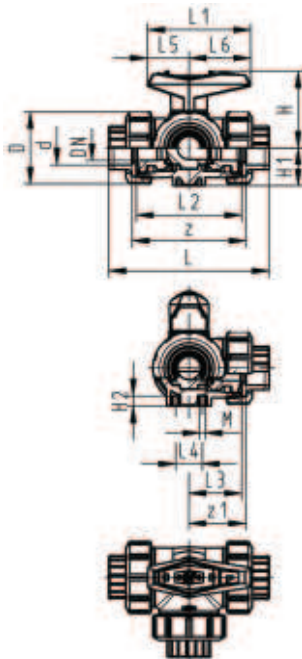
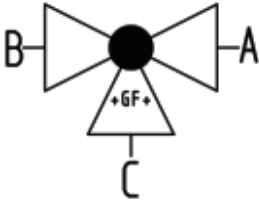
SYGEF Standard metric/ASTM/ANSI



SYGEF Standard oil free 3-Way ball valve type 543 Horizontal/L-port With fusion sockets metric

Model:

- Material: PVDF / oil free cleaned
- For easy installation and removal (valve end and union nut are compatible with type 546)
- Ball seals PTFE
- Pneumatic or electric actuator available separately
- Angle of operation 360° without turn limiter
- Turn limiter 90° enclosed, in different positions usable as a clip-on ring
- Integrated stainless steel mounting inserts
- Delivery status A-C opened, see flow scheme



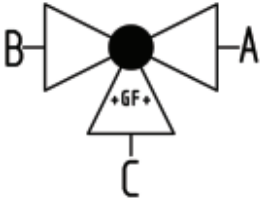
d [mm]	DN [mm]	PN	kv-value ($\Delta p=1$ bar) [l/min]	FPM Code
16	10	10	50	175 543 611
20	15	10	75	175 543 612
25	20	10	150	175 543 613
32	25	10	280	175 543 614
40	32	10	480	175 543 615
50	40	10	620	175 543 616
63	50	10	1230	175 543 617

d [mm]	D [mm]	L [mm]	L1 [mm]	L2 [mm]	L3 [mm]	L4 [mm]	L5 [mm]	L6 [mm]	H [mm]	H1 [mm]	H2 [mm]	M [mm]	z [mm]	z1 [mm]	closest inch
16	50	110	77	72	36	25	32	45	57	28	8	6	82	41	3/8
20	50	112	77	72	36	25	32	45	57	28	8	6	82	41	1/2
25	58	129	97	85	43	25	39	58	67	32	8	6	97	49	3/4
32	68	146	97	98	49	25	39	58	73	36	8	6	110	55	1
40	84	170	128	118	59	45	54	74	90	45	9	8	132	66	1 1/4
50	97	193	128	135	68	45	54	74	97	51	9	8	151	76	1 1/2
63	124	244	152	176	88	45	66	87	116	65	9	8	188	94	2

SYGEF Standard metric/ASTM/ANSI



SYGEF Standard oil free 3-Way ball valve type 543 Horizontal/T-port With fusion sockets metric

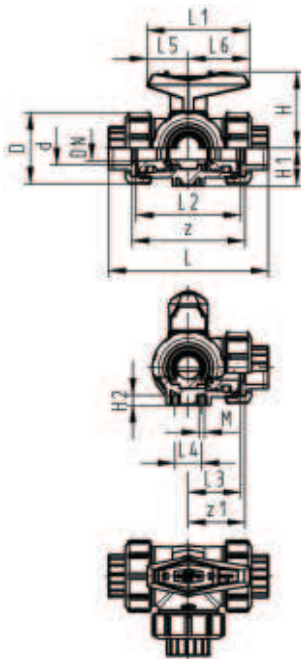


Model:

- Material: PVDF / oil free cleaned
- For easy installation and removal (valve end and union nut are compatible with type 546)
- Ball seals PTFE
- Pneumatic or electric actuator available separately
- Angle of operation 360° without turn limiter
- Turn limiter 90° enclosed, in different positions usable as a clip-on ring
- Integrated stainless steel mounting inserts
- Delivery status A-B-C opened, see flow scheme



d [mm]	DN [mm]	PN	kv-value ($\Delta p=1$ bar) [l/min]	FPM Code
16	10	10	140	175 543 631
20	15	10	200	175 543 632
25	20	10	470	175 543 633
32	25	10	793	175 543 634
40	32	10	1290	175 543 635
50	40	10	1910	175 543 636
63	50	10	3100	175 543 637

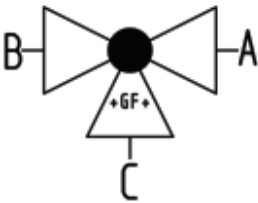


d [mm]	D [mm]	L [mm]	L1 [mm]	L2 [mm]	L3 [mm]	L4 [mm]	L5 [mm]	L6 [mm]	H [mm]	H1 [mm]	H2 [mm]	M	z [mm]	z1 [mm]	closest inch
16	50	110	77	72	36	25	32	45	57	28	8	6	82	41	3/8
20	50	112	77	72	36	25	32	45	57	28	8	6	82	41	1/2
25	58	129	97	85	43	25	39	58	67	32	8	6	97	49	3/4
32	68	146	97	98	49	25	39	58	73	36	8	6	110	55	1
40	84	170	128	118	59	45	54	74	90	45	9	8	132	66	1 1/4
50	97	193	128	135	68	45	54	74	97	51	9	8	151	76	1 1/2
63	124	244	152	176	88	45	66	87	116	65	9	8	188	94	2

SYGEF Standard metric/ASTM/ANSI

Ball valves electric

**SYGEF Standard
3-Way ball valve type 187
Horizontal/L-port 100-230V
With manual emergency override
With fusion sockets metric**



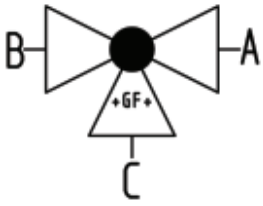
Model:

- Material: PVDF
- Built on with electric actuator EA21
- Voltage 100-230 V, 50-60 Hz
- Control range 90°<
- Basic position A-C opened, activated position B-C opened, see flow scheme
- Other positions possible by adjusting the limit switches
- Control time 5 s/90°<
- For easy installation and removal
- Integrated stainless steel mounting inserts

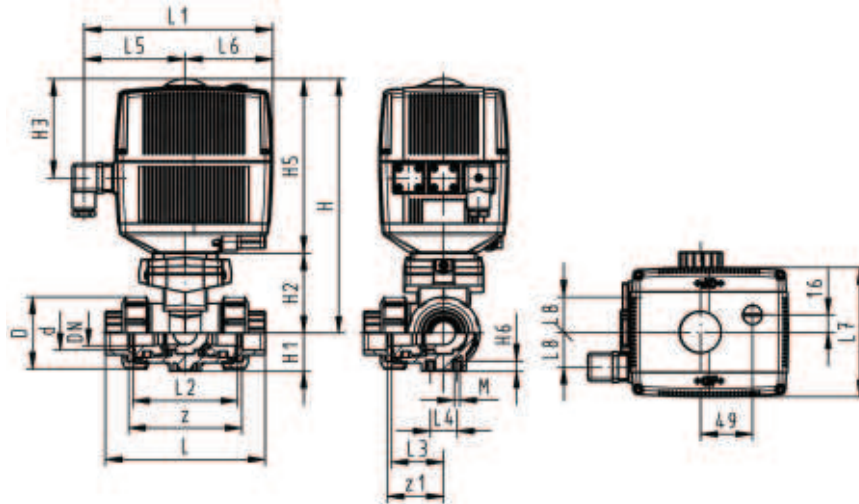
d [mm]	DN [mm]	PN	kv-value (Δp=1 bar) [l/min]	FPM Code
16	10	10	50	199 187 092
20	15	10	75	199 187 093
25	20	10	150	199 187 094
32	25	10	280	199 187 095
40	32	10	480	199 187 096
50	40	10	620	199 187 097
63	50	10	1230	199 187 098

d [mm]	D [mm]	H [mm]	H1 [mm]	H2 [mm]	H3 [mm]	H5 [mm]	H6 [mm]	L [mm]	L1 [mm]	L2 [mm]	L3 [mm]	L4 [mm]	L5 [mm]	L6 [mm]	L7 [mm]
16	50	231	28	64	94	167	8	110	180	72	36	25	97	83	122
20	50	231	28	64	94	167	8	112	180	72	36	25	97	83	122
25	58	240	32	73	94	167	8	129	180	85	43	25	97	83	122
32	68	240	36	73	94	167	8	146	180	98	49	25	97	83	122
40	84	251	45	84	94	167	9	170	180	118	59	45	97	83	122
50	97	251	51	84	94	167	9	193	180	135	68	45	97	83	122
63	124	273	65	106	94	167	9	244	180	176	88	45	97	83	122

SYGEF Standard metric/ASTM/ANSI



d [mm]	L8 [mm]	M	z [mm]	z1 [mm]	closest inch
16	33	6	82	41	3/8
20	33	6	82	41	1/2
25	33	6	97	49	3/4
32	33	6	110	55	1
40	33	8	132	66	1 1/4
50	33	8	151	76	1 1/2
63	33	8	188	94	2

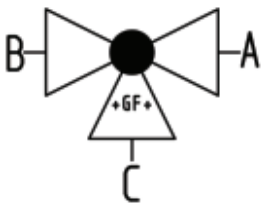


SYGEF Standard 3-Way ball valve type 187 Horizontal/L-port 100-230V With manual emergency override With threaded sockets NPT



Model:

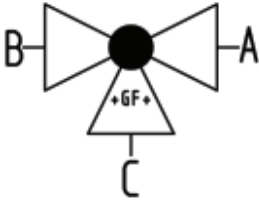
- Material: PVDF
- Built on with electric actuator EA21
- Voltage 100-230 V, 50-60 Hz
- Control range 90°<
- Basic position A-C opened, activated position B-C opened, see flow scheme
- Other positions possible by adjusting the limit switches
- Control time 5 s/90°<
- For easy installation and removal
- Integrated stainless steel mounting inserts



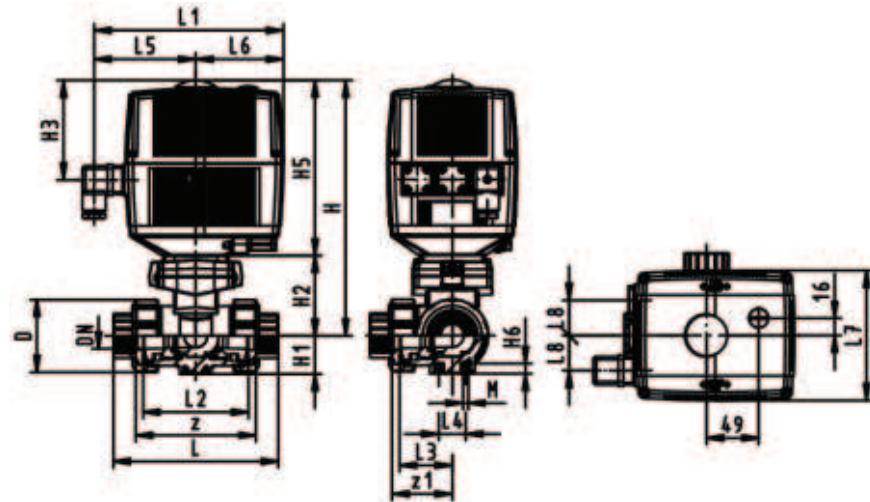
NPT [inch]	DN [mm]	PN	kv-value ($\Delta p=1$ bar) [l/min]	FPM Code
3/8	10	10	50	199 187 242
1/2	15	10	75	199 187 243
3/4	20	10	150	199 187 244
1	25	10	280	199 187 245
1 1/4	32	10	480	199 187 246
1 1/2	40	10	620	199 187 247
2	50	10	1230	199 187 248

NPT [inch]	D [mm]	H [mm]	H1 [mm]	H2 [mm]	H3 [mm]	H5 [mm]	H6 [mm]	L [mm]	L1 [mm]	L2 [mm]	L3 [mm]	L4 [mm]	L5 [mm]	L6 [mm]	L7 [mm]
3/8	50	231	28	64	94	167	8	112	180	72	36	25	97	83	122
1/2	50	231	28	64	94	167	8	114	180	72	36	25	97	83	122
3/4	58	240	32	73	94	167	8	131	180	85	43	25	97	83	122
1	68	240	36	73	94	167	8	154	180	98	49	25	97	83	122
1 1/4	84	251	45	84	94	167	9	180	180	118	59	45	97	83	122
1 1/2	97	251	51	84	94	167	9	203	180	135	68	45	97	83	122
2	124	273	65	106	94	167	9	258	180	176	88	45	97	83	122

SYGEF Standard metric/ASTM/ANSI



NPT [inch]	L8 [mm]	M	z [mm]	z1 [mm]
3/8	33	6	86	43
1/2	33	6	80	40
3/4	33	6	95	48
1	33	6	110	55
1 1/4	33	8	132	66
1 1/2	33	8	157	79
2	33	8	210	105

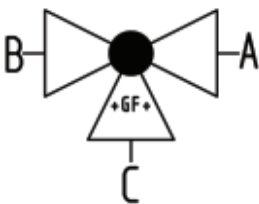


SYGEF Standard 3-Way ball valve type 187 Horizontal/L-port 100-230V With manual emergency override With socket fusion spigots metric



Model:

- Material: PVDF
- Built on with electric actuator EA21
- Voltage 100-230 V, 50-60 Hz
- Control range 90°<
- Basic position A-C opened, activated position B-C opened, see flow scheme
- Other positions possible by adjusting the limit switches
- Control time 5 s/90°<
- For easy installation and removal
- Integrated stainless steel mounting inserts

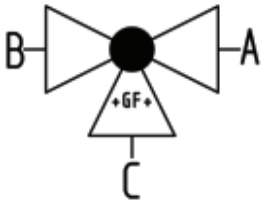


d [mm]	DN [mm]	PN	kv-value (Δp=1 bar) [l/min]	FPM Code
16	10	10	50	199 187 012
20	15	10	75	199 187 013
25	20	10	150	199 187 014
32	25	10	280	199 187 015
40	32	10	480	199 187 016
50	40	10	620	199 187 017
63	50	10	1230	199 187 018

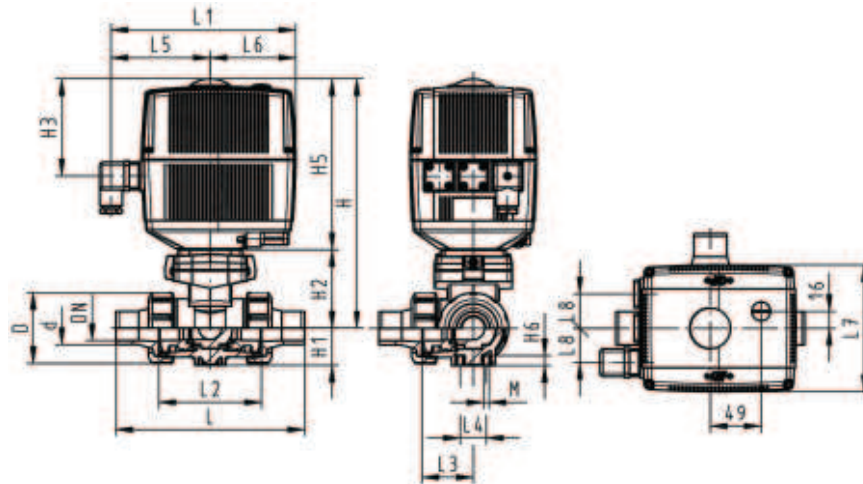


d [mm]	D [mm]	H [mm]	H1 [mm]	H2 [mm]	H3 [mm]	H5 [mm]	H6 [mm]	L [mm]	L1 [mm]	L2 [mm]	L3 [mm]	L4 [mm]	L5 [mm]	L6 [mm]	L7 [mm]
16	50	231	28	64	94	167	8	126	180	72	36	25	97	83	122
20	50	231	28	64	94	167	8	136	180	72	36	25	97	83	122
25	58	240	32	73	94	167	8	159	180	85	43	25	97	83	122
32	68	240	36	73	94	167	8	178	180	98	49	25	97	83	122
40	84	251	45	84	94	167	9	204	180	118	59	45	97	83	122
50	97	251	51	84	94	167	9	237	180	135	68	45	97	83	122
63	124	273	65	106	94	167	9	296	180	176	88	45	97	83	122

SYGEF Standard metric/ASTM/ANSI



d [mm]	L8 [mm]	M	closest inch
16	33	6	3/8
20	33	6	1/2
25	33	6	3/4
32	33	6	1
40	33	8	1 1/4
50	33	8	1 1/2
63	33	8	2

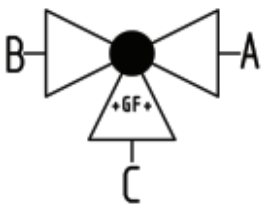


SYGEF Standard 3-Way ball valve type 187 Horizontal/L-port 100-230V With manual emergency override With butt fusion spigots IR-Plus metric



Model:

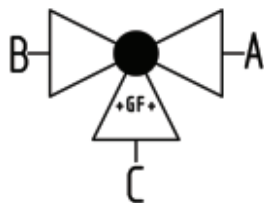
- Material: PVDF
- Built on with electric actuator EA21
- Voltage 100-230 V, 50-60 Hz
- Control range 90°<
- Basic position A-C opened, activated position B-C opened, see flow scheme
- Other positions possible by adjusting the limit switches
- Control time 5 s/90°<
- For easy installation and removal
- Integrated stainless steel mounting inserts



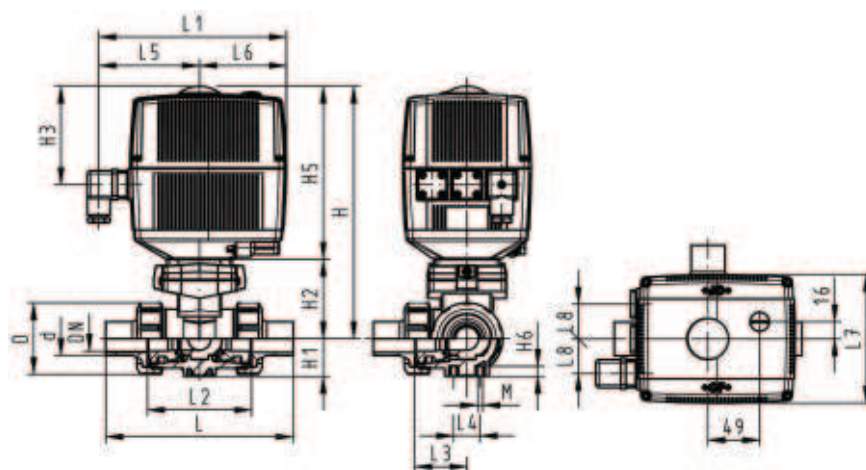
d [mm]	DN [mm]	PN	kv-value (Δp=1 bar) [l/min]	FPM Code
20	15	10	75	199 187 053
25	20	10	150	199 187 054
32	25	10	280	199 187 055
40	32	10	480	199 187 056
50	40	10	620	199 187 057
63	50	10	1230	199 187 058

d [mm]	D [mm]	H [mm]	H1 [mm]	H2 [mm]	H3 [mm]	H5 [mm]	H6 [mm]	L [mm]	L1 [mm]	L2 [mm]	L3 [mm]	L4 [mm]	L5 [mm]	L6 [mm]	L7 [mm]
20	50	231	28	64	94	167	8	146	180	72	36	25	97	83	122
25	58	240	32	73	94	167	8	163	180	85	43	25	97	83	122
32	68	240	36	73	94	167	8	178	180	98	49	25	97	83	122
40	84	251	45	84	94	167	9	204	180	118	59	45	97	83	122
50	97	251	51	84	94	167	9	237	180	135	68	45	97	83	122
63	124	273	65	106	94	167	9	296	180	176	88	45	97	83	122

SYGEF Standard metric/ASTM/ANSI



d [mm]	L8 [mm]	M	closest inch
20	33	6	1/2
25	33	6	3/4
32	33	6	1
40	33	8	1 1/4
50	33	8	1 1/2
63	33	8	2

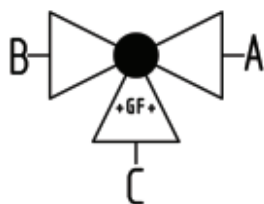


SYGEF Standard 3-Way ball valve type 187 Horizontal/L-port 24V With manual emergency override With fusion sockets metric



Model:

- Material: PVDF
- Built on with electric actuator EA21
- Voltage 24 V AC/DC
- Control range 90°<
- Basic position A-C opened, activated position B-C opened, see flow scheme
- Other positions possible by adjusting the limit switches
- Control time 5 s/90°<
- For easy installation and removal
- Integrated stainless steel mounting inserts

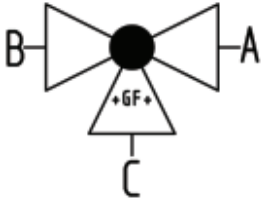


d [mm]	DN [mm]	PN	kv-value (Δp=1 bar) [l/min]	FPM Code
16	10	10	50	199 187 212
20	15	10	75	199 187 213
25	20	10	150	199 187 214
32	25	10	280	199 187 215
40	32	10	480	199 187 216
50	40	10	620	199 187 217
63	50	10	1230	199 187 218

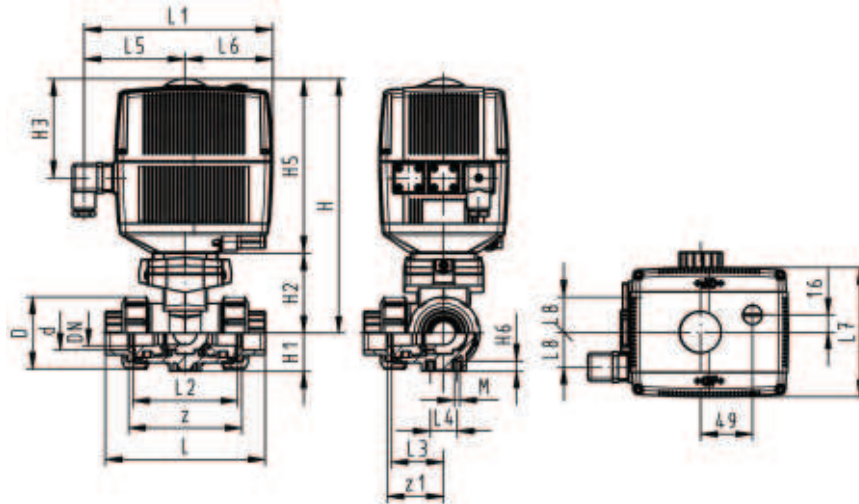


d [mm]	D [mm]	H [mm]	H1 [mm]	H2 [mm]	H3 [mm]	H5 [mm]	H6 [mm]	L [mm]	L1 [mm]	L2 [mm]	L3 [mm]	L4 [mm]	L5 [mm]	L6 [mm]	L7 [mm]
16	50	231	28	64	94	167	8	110	180	72	36	25	97	83	122
20	50	231	28	64	94	167	8	112	180	72	36	25	97	83	122
25	58	240	32	73	94	167	8	129	180	85	43	25	97	83	122
32	68	240	36	73	94	167	8	146	180	98	49	25	97	83	122
40	84	251	45	84	94	167	9	170	180	118	59	45	97	83	122
50	97	251	51	84	94	167	9	193	180	135	68	45	97	83	122
63	124	273	65	106	94	167	9	244	180	176	88	45	97	83	122

SYGEF Standard metric/ASTM/ANSI



d [mm]	L8 [mm]	M	z [mm]	z1 [mm]	closest inch
16	33	6	82	41	3/8
20	33	6	82	41	1/2
25	33	6	97	49	3/4
32	33	6	110	55	1
40	33	8	132	66	1 1/4
50	33	8	151	76	1 1/2
63	33	8	188	94	2

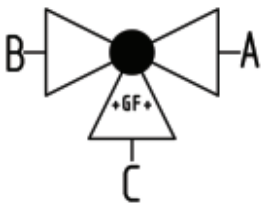


SYGEF Standard 3-Way ball valve type 187 Horizontal/L-port 24V With manual emergency override With threaded sockets NPT



Model:

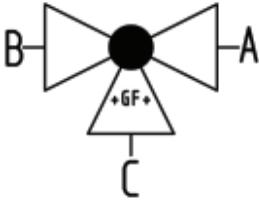
- Material: PVDF
- Built on with electric actuator EA21
- Voltage 24 V AC/DC
- Control range 90°<
- Basic position A-C opened, activated position B-C opened, see flow scheme
- Other positions possible by adjusting the limit switches
- Control time 5 s/90°<
- For easy installation and removal
- Integrated stainless steel mounting inserts



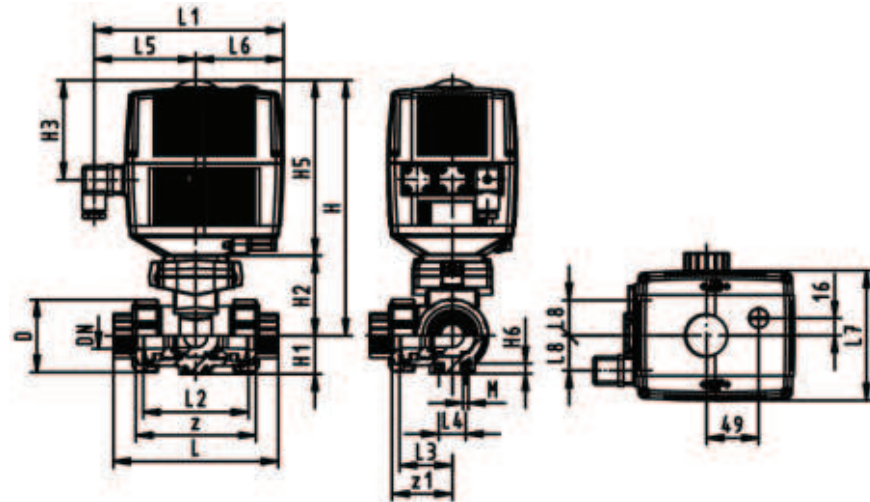
NPT [inch]	DN [mm]	PN	kv-value (Δp=1 bar) [l/min]	FPM Code
3/8	10	10	50	199 187 262
1/2	15	10	75	199 187 263
3/4	20	10	150	199 187 264
1	25	10	280	199 187 265
1 1/4	32	10	480	199 187 266
1 1/2	40	10	620	199 187 267
2	50	10	1230	199 187 268

NPT [inch]	D [mm]	H [mm]	H1 [mm]	H2 [mm]	H3 [mm]	H5 [mm]	H6 [mm]	L [mm]	L1 [mm]	L2 [mm]	L3 [mm]	L4 [mm]	L5 [mm]	L6 [mm]	L7 [mm]
3/8	50	231	28	64	94	167	8	112	180	72	36	25	97	83	122
1/2	50	231	28	64	94	167	8	114	180	72	36	25	97	83	122
3/4	58	240	32	73	94	167	8	131	180	85	43	25	97	83	122
1	68	240	36	73	94	167	8	154	180	98	49	25	97	83	122
1 1/4	84	251	45	84	94	167	9	180	180	118	59	45	97	83	122
1 1/2	97	251	51	84	94	167	9	203	180	135	68	45	97	83	122
2	124	273	65	106	94	167	9	258	180	176	88	45	97	83	122

SYGEF Standard metric/ASTM/ANSI



NPT [inch]	L8 [mm]	M	z [mm]	z1 [mm]
3/8	33	6	86	43
1/2	33	6	80	40
3/4	33	6	95	48
1	33	6	110	55
1 1/4	33	8	132	66
1 1/2	33	8	157	79
2	33	8	210	105

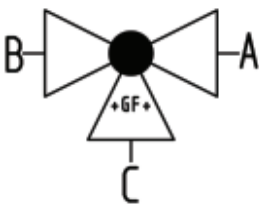


SYGEF Standard 3-Way ball valve type 187 Horizontal/L-port 24V With manual emergency override With socket fusion spigots metric



Model:

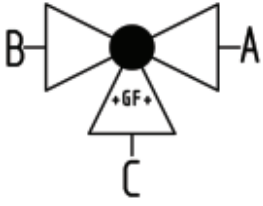
- Material: PVDF
- Built on with electric actuator EA21
- Voltage 24 V AC/DC
- Control range 90°<
- Basic position A-C opened, activated position B-C opened, see flow scheme
- Other positions possible by adjusting the limit switches
- Control time 5 s/90°<
- For easy installation and removal
- Integrated stainless steel mounting inserts



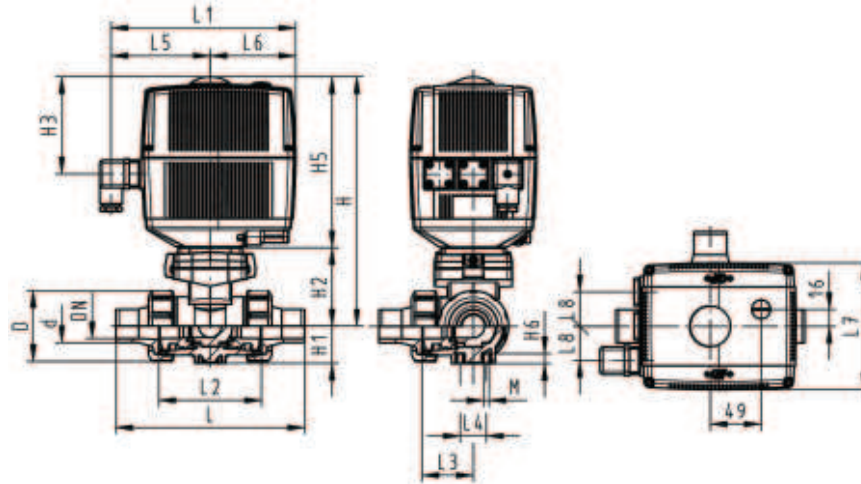
d [mm]	DN [mm]	PN	kv-value (Δp=1 bar) [l/min]	FPM Code
16	10	10	50	199 187 132
20	15	10	75	199 187 133
25	20	10	150	199 187 134
32	25	10	280	199 187 135
40	32	10	480	199 187 136
50	40	10	620	199 187 137
63	50	10	1230	199 187 138

d [mm]	D [mm]	H [mm]	H1 [mm]	H2 [mm]	H3 [mm]	H5 [mm]	H6 [mm]	L [mm]	L1 [mm]	L2 [mm]	L3 [mm]	L4 [mm]	L5 [mm]	L6 [mm]	L7 [mm]
16	50	231	28	64	94	167	8	126	180	72	36	25	97	83	122
20	50	231	28	64	94	167	8	136	180	72	36	25	97	83	122
25	58	240	32	73	94	167	8	159	180	85	43	25	97	83	122
32	68	240	36	73	94	167	8	178	180	98	49	25	97	83	122
40	84	251	45	84	94	167	9	204	180	118	59	45	97	83	122
50	97	251	51	84	94	167	9	237	180	135	68	45	97	83	122
63	124	273	65	106	94	167	9	296	180	176	88	45	97	83	122

SYGEF Standard metric/ASTM/ANSI



d [mm]	L8 [mm]	M	closest inch
16	33	6	3/8
20	33	6	1/2
25	33	6	3/4
32	33	6	1
40	33	8	1 1/4
50	33	8	1 1/2
63	33	8	2

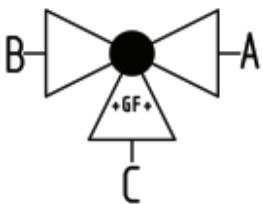


SYGEF Standard 3-Way ball valve type 187 Horizontal/L-port 24V With manual emergency override With butt fusion spigots IR-Plus metric



Model:

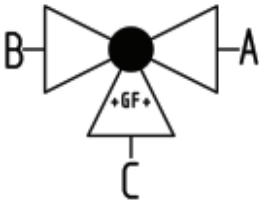
- Material: PVDF
- Built on with electric actuator EA21
- Voltage 24 V AC/DC
- Control range 90°<
- Basic position A-C opened, activated position B-C opened, see flow scheme
- Other positions possible by adjusting the limit switches
- Control time 5 s/90°<
- For easy installation and removal
- Integrated stainless steel mounting inserts



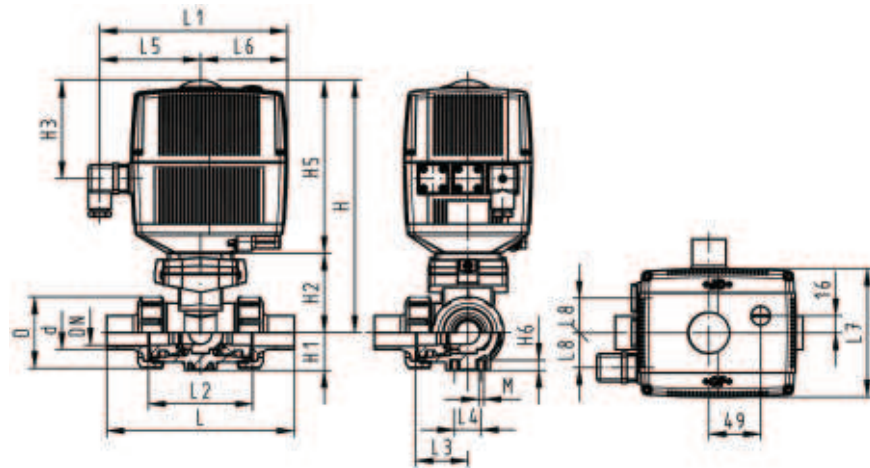
d [mm]	DN [mm]	PN	kv-value (Δp=1 bar) [l/min]	FPM Code
20	15	10	75	199 187 173
25	20	10	150	199 187 174
32	25	10	280	199 187 175
40	32	10	480	199 187 176
50	40	10	620	199 187 177
63	50	10	1230	199 187 178

d [mm]	D [mm]	H [mm]	H1 [mm]	H2 [mm]	H3 [mm]	H5 [mm]	H6 [mm]	L [mm]	L1 [mm]	L2 [mm]	L3 [mm]	L4 [mm]	L5 [mm]	L6 [mm]	L7 [mm]
20	50	231	28	64	94	167	8	146	180	72	36	25	97	83	122
25	58	240	32	73	94	167	8	163	180	85	43	25	97	83	122
32	68	240	36	73	94	167	8	178	180	98	49	25	97	83	122
40	84	251	45	84	94	167	9	204	180	118	59	45	97	83	122
50	97	251	51	84	94	167	9	237	180	135	68	45	97	83	122
63	124	273	65	106	94	167	9	296	180	176	88	45	97	83	122

SYGEF Standard metric/ASTM/ANSI



d [mm]	L8 [mm]	M	closest inch
20	33	6	1/2
25	33	6	3/4
32	33	6	1
40	33	8	1 1/4
50	33	8	1 1/2
63	33	8	2

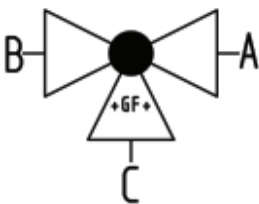


SYGEF Standard 3-Way ball valve type 187 Horizontal/T-port 100-230V With manual emergency override With fusion sockets metric



Model:

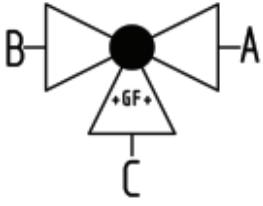
- Material: PVDF
- Built on with electric actuator EA21
- Voltage 100-230 V, 50-60 Hz
- Control range 90°<
- Basic position A-B-C opened, activated position B-C opened, see flow scheme
- Other positions possible by adjusting the limit switches
- Control time 5 s/90°<
- For easy installation and removal
- Integrated stainless steel mounting inserts



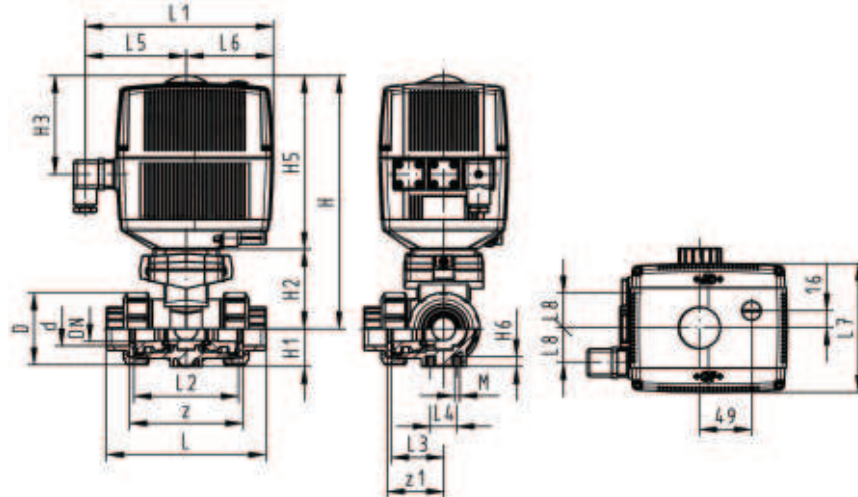
d [mm]	DN [mm]	PN	kv-value (Δp=1 bar) [l/min]	FPM Code
16	10	10	140	199 187 112
20	15	10	200	199 187 113
25	20	10	470	199 187 114
32	25	10	793	199 187 115
40	32	10	1290	199 187 116
50	40	10	1910	199 187 117
63	50	10	3100	199 187 118

d [mm]	D [mm]	H [mm]	H1 [mm]	H2 [mm]	H3 [mm]	H5 [mm]	H6 [mm]	L [mm]	L1 [mm]	L2 [mm]	L3 [mm]	L4 [mm]	L5 [mm]	L6 [mm]	L7 [mm]
16	50	231	28	64	94	167	8	110	180	72	36	25	97	83	122
20	50	231	28	64	94	167	8	112	180	72	36	25	97	83	122
25	58	240	32	73	94	167	8	129	180	85	43	25	97	83	122
32	68	240	36	73	94	167	8	146	180	98	49	25	97	83	122
40	84	251	45	84	94	167	9	170	180	118	59	45	97	83	122
50	97	251	51	84	94	167	9	193	180	135	68	45	97	83	122
63	124	273	65	106	94	167	9	244	180	176	88	45	97	83	122

SYGEF Standard metric/ASTM/ANSI



d [mm]	L8 [mm]	M	z [mm]	z1 [mm]	closest inch
16	33	6	82	41	3/8
20	33	6	82	41	1/2
25	33	6	97	49	3/4
32	33	6	110	55	1
40	33	8	132	66	1 1/4
50	33	8	151	76	1 1/2
63	33	8	188	94	2

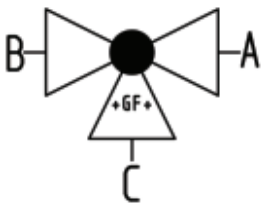


SYGEF Standard 3-Way ball valve type 187 Horizontal/T-port 100-230V With manual emergency override With threaded sockets NPT



Model:

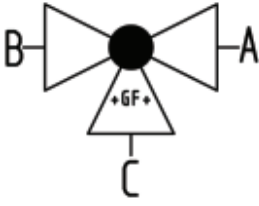
- Material: PVDF
- Built on with electric actuator EA21
- Voltage 100-230 V, 50-60 Hz
- Control range 90°<
- Basic position A-B-C opened, activated position B-C opened, see flow scheme
- Other positions possible by adjusting the limit switches
- Control time 5 s/90°<
- For easy installation and removal
- Integrated stainless steel mounting inserts



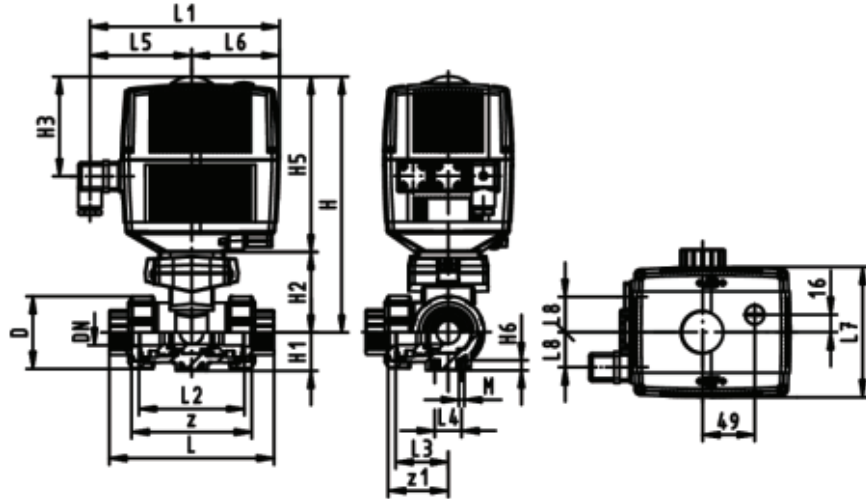
NPT [inch]	DN [mm]	PN	kv-value (Δp=1 bar) [l/min]	FPM Code
3/8	10	10	140	199 187 252
1/2	15	10	200	199 187 253
3/4	20	10	470	199 187 254
1	25	10	793	199 187 255
1 1/4	32	10	1290	199 187 256
1 1/2	40	10	1910	199 187 257
2	50	10	3100	199 187 258

NPT [inch]	D [mm]	H [mm]	H1 [mm]	H2 [mm]	H3 [mm]	H5 [mm]	H6 [mm]	L [mm]	L1 [mm]	L2 [mm]	L3 [mm]	L4 [mm]	L5 [mm]	L6 [mm]	L7 [mm]
3/8	50	231	28	64	94	167	8	112	180	72	36	25	97	83	122
1/2	50	231	28	64	94	167	8	114	180	72	36	25	97	83	122
3/4	58	240	32	73	94	167	8	131	180	85	43	25	97	83	122
1	68	240	36	73	94	167	8	154	180	98	49	25	97	83	122
1 1/4	84	251	45	84	94	167	9	180	180	118	59	45	97	83	122
1 1/2	97	251	51	84	94	167	9	203	180	135	68	45	97	83	122
2	124	273	65	106	94	167	9	258	180	176	88	45	97	83	122

SYGEF Standard metric/ASTM/ANSI



NPT [inch]	L8 [mm]	M	z [mm]	z1 [mm]
3/8	33	6	86	43
1/2	33	6	80	40
3/4	33	6	95	48
1	33	6	110	55
1 1/4	33	8	132	66
1 1/2	33	8	157	79
2	33	8	210	105

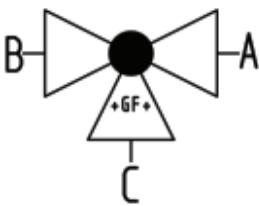


SYGEF Standard 3-Way ball valve type 187 Horizontal/T-port 100-230V With manual emergency override With socket fusion spigots metric



Model:

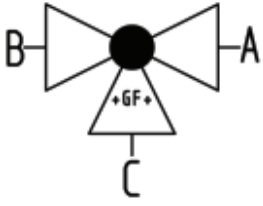
- Material: PVDF
- Built on with electric actuator EA21
- Voltage 100-230 V, 50-60 Hz
- Control range 90°<
- Basic position A-B-C opened, activated position B-C opened, see flow scheme
- Other positions possible by adjusting the limit switches
- Control time 5 s/90°<
- For easy installation and removal
- Integrated stainless steel mounting inserts



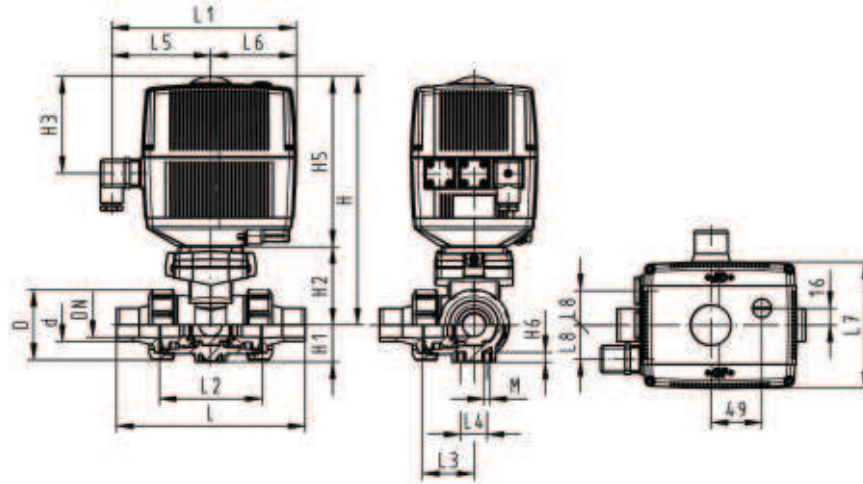
d [mm]	DN [mm]	PN	kv-value (Δp=1 bar) [l/min]	FPM Code
16	10	10	140	199 187 032
20	15	10	200	199 187 033
25	20	10	470	199 187 034
32	25	10	793	199 187 035
40	32	10	1290	199 187 036
50	40	10	1910	199 187 037
63	50	10	3100	199 187 038

d [mm]	D [mm]	H [mm]	H1 [mm]	H2 [mm]	H3 [mm]	H5 [mm]	H6 [mm]	L [mm]	L1 [mm]	L2 [mm]	L3 [mm]	L4 [mm]	L5 [mm]	L6 [mm]	L7 [mm]
16	50	231	28	64	94	167	8	126	180	72	36	25	97	83	122
20	50	231	28	64	94	167	8	136	180	72	36	25	97	83	122
25	58	240	32	73	94	167	8	159	180	85	43	25	97	83	122
32	68	240	36	73	94	167	8	178	180	98	49	25	97	83	122
40	84	251	45	84	94	167	9	204	180	118	59	45	97	83	122
50	97	251	51	84	94	167	9	237	180	135	68	45	97	83	122
63	124	273	65	106	94	167	9	296	180	176	88	45	97	83	122

SYGEF Standard metric/ASTM/ANSI



d [mm]	L8 [mm]	M	closest inch
16	33	6	3/8
20	33	6	1/2
25	33	6	3/4
32	33	6	1
40	33	8	1 1/4
50	33	8	1 1/2
63	33	8	2

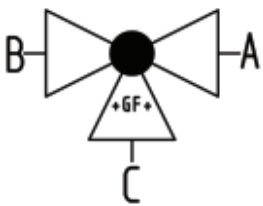


SYGEF Standard 3-Way ball valve type 187 Horizontal/T-port 100-230V With manual emergency override With butt fusion spigots IR-Plus metric



Model:

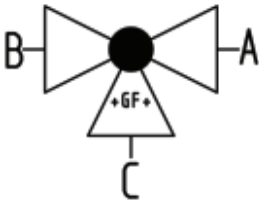
- Material: PVDF
- Built on with electric actuator EA21
- Voltage 100-230 V, 50-60 Hz
- Control range 90°<
- Basic position A-B-C opened, activated position B-C opened, see flow scheme
- Other positions possible by adjusting the limit switches
- Control time 5 s/90°<
- For easy installation and removal
- Integrated stainless steel mounting inserts



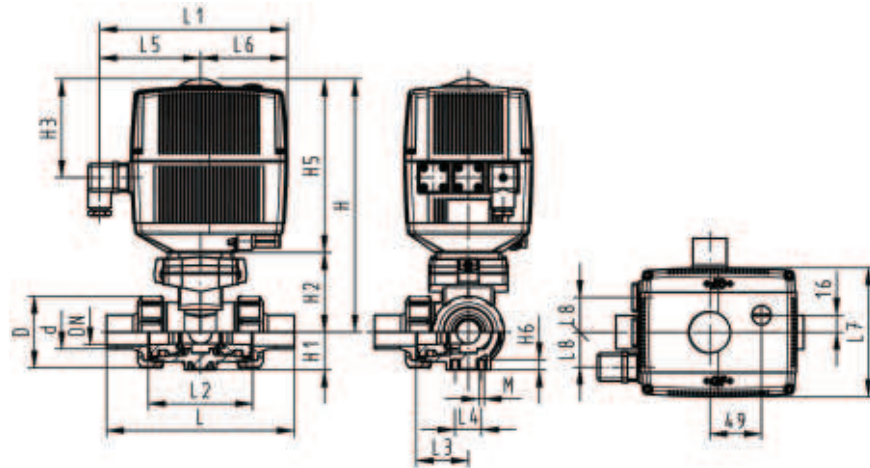
d [mm]	DN [mm]	PN	kv-value (Δp=1 bar) [l/min]	FPM Code
20	15	10	200	199 187 073
25	20	10	470	199 187 074
32	25	10	793	199 187 075
40	32	10	1290	199 187 076
50	40	10	1910	199 187 077
63	50	10	3100	199 187 078

d [mm]	D [mm]	H [mm]	H1 [mm]	H2 [mm]	H3 [mm]	H5 [mm]	H6 [mm]	L [mm]	L1 [mm]	L2 [mm]	L3 [mm]	L4 [mm]	L5 [mm]	L6 [mm]	L7 [mm]
20	50	231	28	64	94	167	8	146	180	72	36	25	97	83	122
25	58	240	32	73	94	167	8	163	180	85	43	25	97	83	122
32	68	240	36	73	94	167	8	178	180	98	49	25	97	83	122
40	84	251	45	84	94	167	9	204	180	118	59	45	97	83	122
50	97	251	51	84	94	167	9	237	180	135	68	45	97	83	122
63	124	273	65	106	94	167	9	296	180	176	88	45	97	83	122

SYGEF Standard metric/ASTM/ANSI



d [mm]	L8 [mm]	M	closest inch
20	33	6	1/2
25	33	6	3/4
32	33	6	1
40	33	8	1 1/4
50	33	8	1 1/2
63	33	8	2

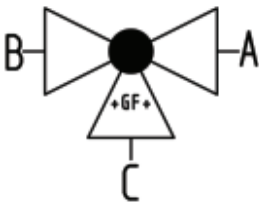


SYGEF Standard 3-Way ball valve type 187 Horizontal/T-port 24V With manual emergency override With fusion sockets metric



Model:

- Material: PVDF
- Built on with electric actuator EA21
- Voltage 24 V AC/DC
- Control range 90°<
- Basic position A-B-C opened, activated position B-C opened, see flow scheme
- Other positions possible by adjusting the limit switches
- Control time 5 s/90°<
- For easy installation and removal
- Integrated stainless steel mounting inserts

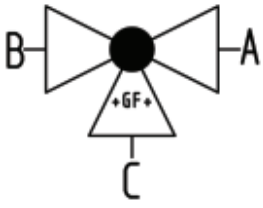


d [mm]	DN [mm]	PN	kv-value (Δp=1 bar) [l/min]	FPM Code
16	10	10	140	199 187 232
20	15	10	200	199 187 233
25	20	10	470	199 187 234
32	25	10	793	199 187 235
40	32	10	1290	199 187 236
50	40	10	1910	199 187 237
63	50	10	3100	199 187 238

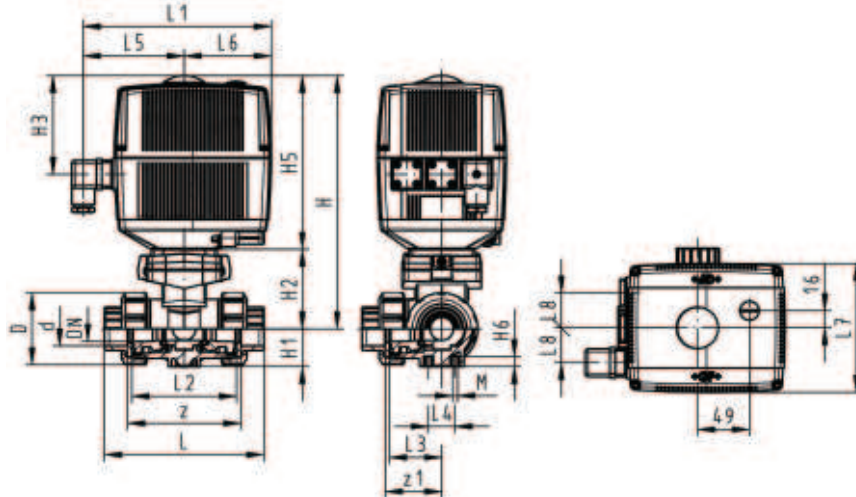


d [mm]	D [mm]	H [mm]	H1 [mm]	H2 [mm]	H3 [mm]	H5 [mm]	H6 [mm]	L [mm]	L1 [mm]	L2 [mm]	L3 [mm]	L4 [mm]	L5 [mm]	L6 [mm]	L7 [mm]
16	50	231	28	64	94	167	8	110	180	72	36	25	97	83	122
20	50	231	28	64	94	167	8	112	180	72	36	25	97	83	122
25	58	240	32	73	94	167	8	129	180	85	43	25	97	83	122
32	68	240	36	73	94	167	8	146	180	98	49	25	97	83	122
40	84	251	45	84	94	167	9	170	180	118	59	45	97	83	122
50	97	251	51	84	94	167	9	193	180	135	68	45	97	83	122
63	124	273	65	106	94	167	9	244	180	176	88	45	97	83	122

SYGEF Standard metric/ASTM/ANSI



d [mm]	L8 [mm]	M	z [mm]	z1 [mm]	closest inch
16	33	6	82	41	3/8
20	33	6	82	41	1/2
25	33	6	97	49	3/4
32	33	6	110	55	1
40	33	8	132	66	1 1/4
50	33	8	151	76	1 1/2
63	33	8	188	94	2

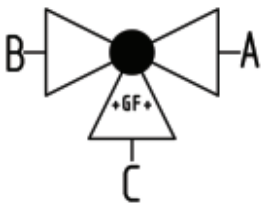


SYGEF Standard 3-Way ball valve type 187 Horizontal/T-port 24V With manual emergency override With threaded sockets NPT



Model:

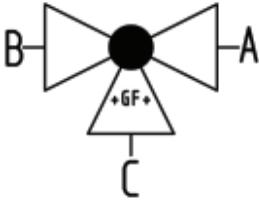
- Material: PVDF
- Built on with electric actuator EA21
- Voltage 24 V AC/DC
- Control range 90°<
- Basic position A-B-C opened, activated position B-C opened, see flow scheme
- Other positions possible by adjusting the limit switches
- Control time 5 s/90°<
- For easy installation and removal
- Integrated stainless steel mounting inserts



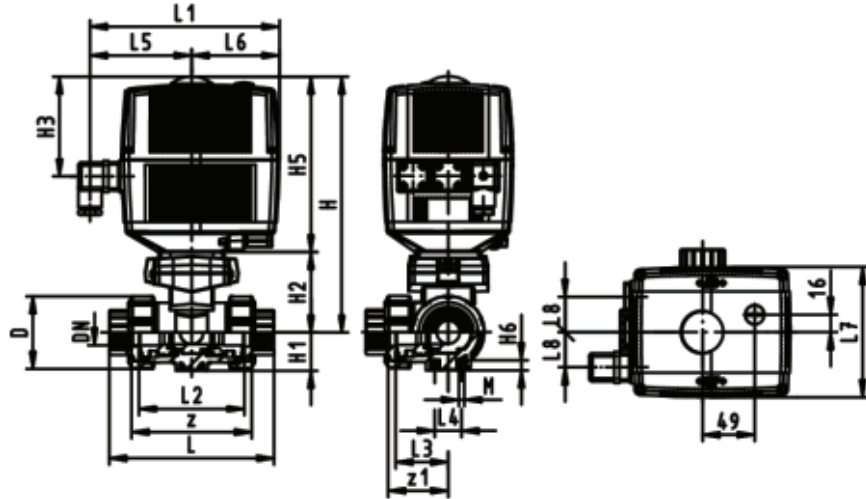
NPT [inch]	DN [mm]	PN	kv-value ($\Delta p=1$ bar) [l/min]	FPM Code
3/8	10	10	140	199 187 272
1/2	15	10	200	199 187 273
3/4	20	10	470	199 187 274
1	25	10	793	199 187 275
1 1/4	32	10	1290	199 187 276
1 1/2	40	10	1910	199 187 277
2	50	10	3100	199 187 278

NPT [inch]	D [mm]	H [mm]	H1 [mm]	H2 [mm]	H3 [mm]	H5 [mm]	H6 [mm]	L [mm]	L1 [mm]	L2 [mm]	L3 [mm]	L4 [mm]	L5 [mm]	L6 [mm]	L7 [mm]
3/8	50	231	28	64	94	167	8	112	180	72	36	25	97	83	122
1/2	50	231	28	64	94	167	8	114	180	72	36	25	97	83	122
3/4	58	240	32	73	94	167	8	131	180	85	43	25	97	83	122
1	68	240	36	73	94	167	8	154	180	98	49	25	97	83	122
1 1/4	84	251	45	84	94	167	9	180	180	118	59	45	97	83	122
1 1/2	97	251	51	84	94	167	9	203	180	135	68	45	97	83	122
2	124	273	65	106	94	167	9	258	180	176	88	45	97	83	122

SYGEF Standard metric/ASTM/ANSI



NPT [inch]	L8 [mm]	M	z [mm]	z1 [mm]
3/8	33	6	86	43
1/2	33	6	80	40
3/4	33	6	95	48
1	33	6	110	55
1 1/4	33	8	132	66
1 1/2	33	8	157	79
2	33	8	210	105

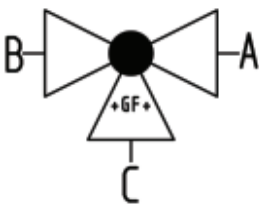


SYGEF Standard 3-Way ball valve type 187 Horizontal/T-port 24V With manual emergency override With socket fusion spigots metric



Model:

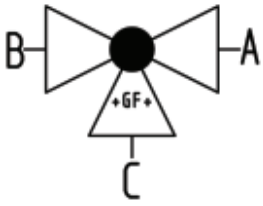
- Material: PVDF
- Built on with electric actuator EA21
- Voltage 24 V AC/DC
- Control range 90°<
- Basic position A-B-C opened, activated position B-C opened, see flow scheme
- Other positions possible by adjusting the limit switches
- Control time 5 s/90°<
- For easy installation and removal
- Integrated stainless steel mounting inserts



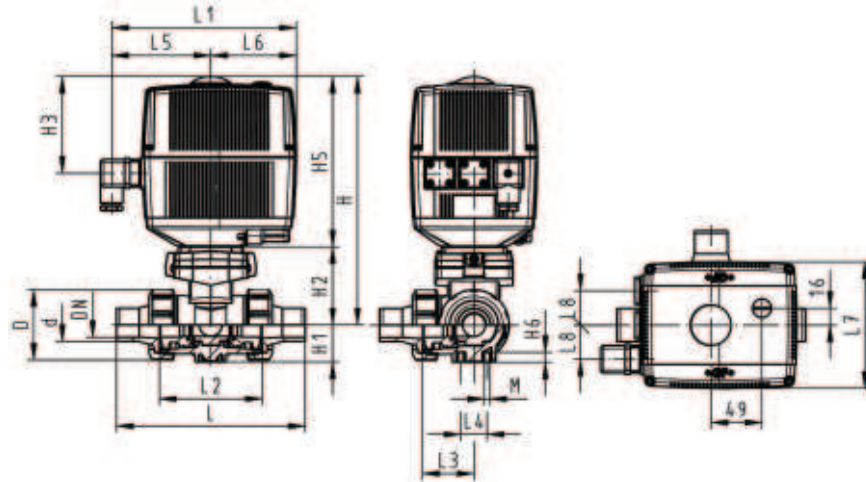
d [mm]	DN [mm]	PN	kv-value (Δp=1 bar) [l/min]	FPM Code
16	10	10	140	199 187 152
20	15	10	200	199 187 153
25	20	10	470	199 187 154
32	25	10	793	199 187 155
40	32	10	1290	199 187 156
50	40	10	1910	199 187 157
63	50	10	3100	199 187 158

d [mm]	D [mm]	H [mm]	H1 [mm]	H2 [mm]	H3 [mm]	H5 [mm]	H6 [mm]	L [mm]	L1 [mm]	L2 [mm]	L3 [mm]	L4 [mm]	L5 [mm]	L6 [mm]	L7 [mm]
16	50	231	28	64	94	167	8	126	180	72	36	25	97	83	122
20	50	231	28	64	94	167	8	136	180	72	36	25	97	83	122
25	58	240	32	73	94	167	8	159	180	85	43	25	97	83	122
32	68	240	36	73	94	167	8	178	180	98	49	25	97	83	122
40	84	251	45	84	94	167	9	204	180	118	59	45	97	83	122
50	97	251	51	84	94	167	9	237	180	135	68	45	97	83	122
63	124	273	65	106	94	167	9	296	180	176	88	45	97	83	122

SYGEF Standard metric/ASTM/ANSI



d [mm]	L8 [mm]	M	closest inch
16	33	6	3/8
20	33	6	1/2
25	33	6	3/4
32	33	6	1
40	33	8	1 1/4
50	33	8	1 1/2
63	33	8	2

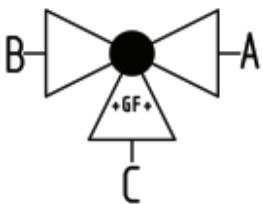


SYGEF Standard 3-Way ball valve type 187 Horizontal/T-port 24V With manual emergency override With butt fusion spigots IR-Plus metric



Model:

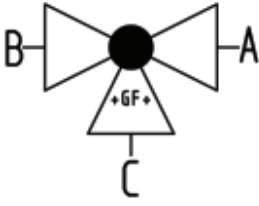
- Material: PVDF
- Built on with electric actuator EA21
- Voltage 24 V AC/DC
- Control range 90°<
- Basic position A-B-C opened, activated position B-C opened, see flow scheme
- Other positions possible by adjusting the limit switches
- Control time 5 s/90°<
- For easy installation and removal
- Integrated stainless steel mounting inserts



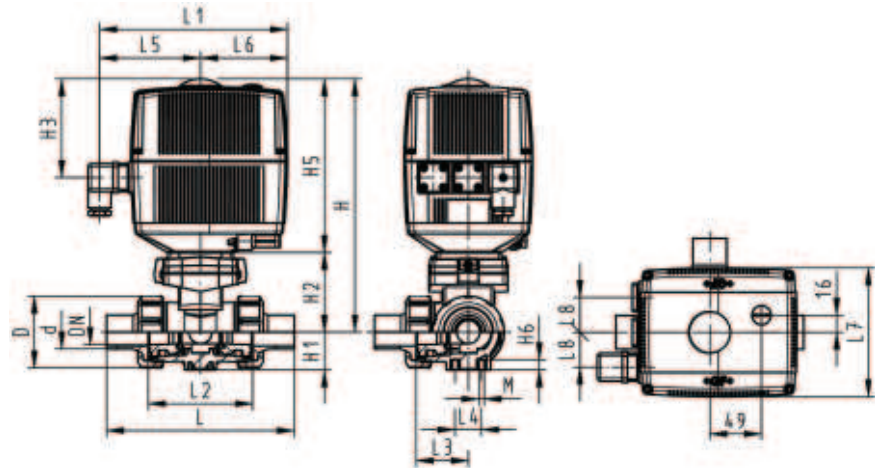
d [mm]	DN [mm]	PN	kv-value (Δp=1 bar) [l/min]	FPM Code
20	15	10	200	199 187 193
25	20	10	470	199 187 194
32	25	10	793	199 187 195
40	32	10	1290	199 187 196
50	40	10	1910	199 187 197
63	50	10	3100	199 187 198

d [mm]	D [mm]	H [mm]	H1 [mm]	H2 [mm]	H3 [mm]	H5 [mm]	H6 [mm]	L [mm]	L1 [mm]	L2 [mm]	L3 [mm]	L4 [mm]	L5 [mm]	L6 [mm]	L7 [mm]
20	50	231	28	64	94	167	8	146	180	72	36	25	97	83	122
25	58	240	32	73	94	167	8	163	180	85	43	25	97	83	122
32	68	240	36	73	94	167	8	178	180	98	49	25	97	83	122
40	84	251	45	84	94	167	9	204	180	118	59	45	97	83	122
50	97	251	51	84	94	167	9	237	180	135	68	45	97	83	122
63	124	273	65	106	94	167	9	296	180	176	88	45	97	83	122

SYGEF Standard metric/ASTM/ANSI



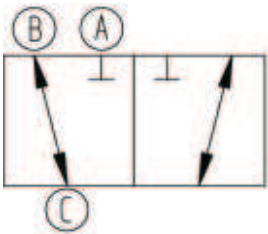
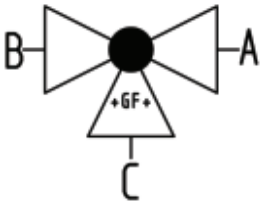
d [mm]	L8 [mm]	M	closest inch
20	33	6	1/2
25	33	6	3/4
32	33	6	1
40	33	8	1 1/4
50	33	8	1 1/2
63	33	8	2



SYGEF Standard metric/ASTM/ANSI

Ball valves pneumatic

SYGEF Standard
3-Way ball valve type 287
Horizontal/L-port
Without manual override
With fusion sockets metric



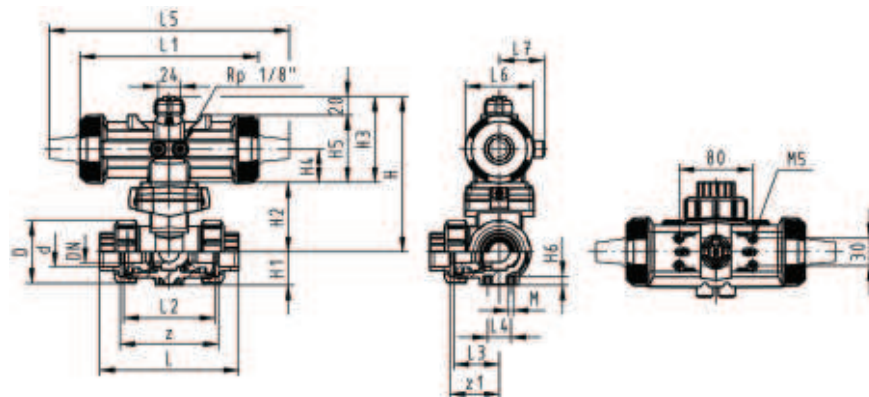
Model:

- Material: PVDF
- Built on with pneumatic actuator PA11 (DN10/15-25), PA21 (DN32-50)
- Actuator fails safe to the closed position FC
- Basic position B-C opened, activated position A-C opened, see flow scheme
- Control time 90°<) 1-3 s
- For easy installation and removal
- Integrated stainless steel mounting inserts

d [mm]	DN [mm]	PN	kv-value (Δp=1 bar) [l/min]	FPM Code
16	10	10	50	199 287 092
20	15	10	75	199 287 093
25	20	10	150	199 287 094
32	25	10	280	199 287 095
40	32	10	480	199 287 096
50	40	10	620	199 287 097
63	50	10	1230	199 287 098

d [mm]	D [mm]	H [mm]	H1 [mm]	H2 [mm]	H3 [mm]	H4 [mm]	H5 [mm]	H6 [mm]	L [mm]	L1 [mm]	L2 [mm]	L3 [mm]	L4 [mm]	L5 [mm]	L6 [mm]
16	50	159	28	62	97	40	77	8	110	194	72	36	25	261	76
20	50	159	28	62	97	40	77	8	112	194	72	36	25	261	76
25	58	168	32	71	97	40	77	8	129	194	85	43	25	261	76
32	68	168	36	71	97	40	77	8	146	194	98	49	25	261	76
40	84	203	45	84	119	51	99	9	170	224	118	59	45	305	95
50	97	203	51	84	119	51	99	9	193	224	135	68	45	305	95
63	124	225	65	106	119	51	99	9	244	224	176	88	45	305	95

d [mm]	L7 [mm]	M	z [mm]	z1 [mm]	closest inch
16	48	6	82	41	3/8
20	48	6	82	41	1/2
25	48	6	97	49	3/4
32	48	6	110	55	1
40	59	8	132	66	1 1/4
50	59	8	151	76	1 1/2
63	59	8	188	94	2



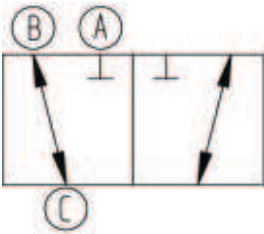
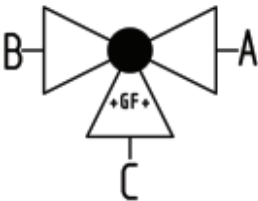
SYGEF Standard metric/ASTM/ANSI



SYGEF Standard 3-Way ball valve type 287 Horizontal/L-port Without manual override With socket fusion spigots metric

Model:

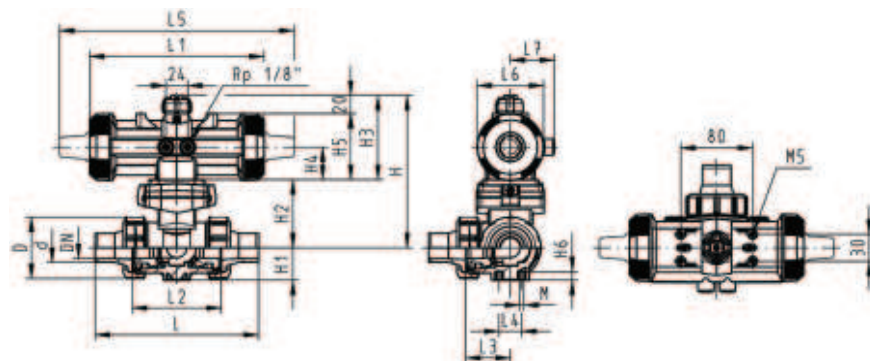
- Material: PVDF
- Built on with pneumatic actuator PA11 (DN10/15-25), PA21 (DN32-50)
- Actuator fails safe to the closed position FC
- Basic position B-C opened, activated position A-C opened, see flow scheme
- Control time $90^\circ <$) 1-3 s
- For easy installation and removal
- Integrated stainless steel mounting inserts



d [mm]	DN [mm]	PN	kv-value ($\Delta p=1$ bar) [l/min]	FPM Code
16	10	10	50	199 287 012
20	15	10	75	199 287 013
25	20	10	150	199 287 014
32	25	10	280	199 287 015
40	32	10	480	199 287 016
50	40	10	620	199 287 017
63	50	10	1230	199 287 018

d [mm]	D [mm]	H [mm]	H1 [mm]	H2 [mm]	H3 [mm]	H4 [mm]	H5 [mm]	H6 [mm]	L [mm]	L1 [mm]	L2 [mm]	L3 [mm]	L4 [mm]	L5 [mm]	L6 [mm]
16	50	159	28	62	97	40	77	8	126	194	72	36	25	261	76
20	50	159	28	62	97	40	77	8	136	194	72	36	25	261	76
25	58	168	32	71	97	40	77	8	159	194	85	43	25	261	76
32	68	168	36	71	97	40	77	8	178	194	98	49	25	261	76
40	84	203	45	84	119	51	99	9	204	224	118	59	45	305	95
50	97	203	51	84	119	51	99	9	237	224	135	68	45	305	95
63	124	225	65	106	119	51	99	9	296	224	176	88	45	305	95

d [mm]	L7 [mm]	M	closest inch
16	48	6	$\frac{3}{8}$
20	48	6	$\frac{1}{2}$
25	48	6	$\frac{3}{4}$
32	48	6	1
40	59	8	1 $\frac{1}{4}$
50	59	8	1 $\frac{1}{2}$
63	59	8	2

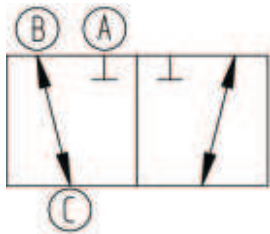
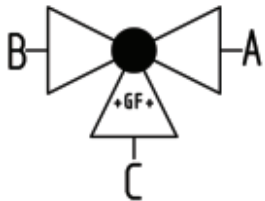


SYGEF Standard metric/ASTM/ANSI



SYGEF Standard 3-Way ball valve type 287 Horizontal/L-port

Without manual override
With butt fusion spigots IR-Plus metric



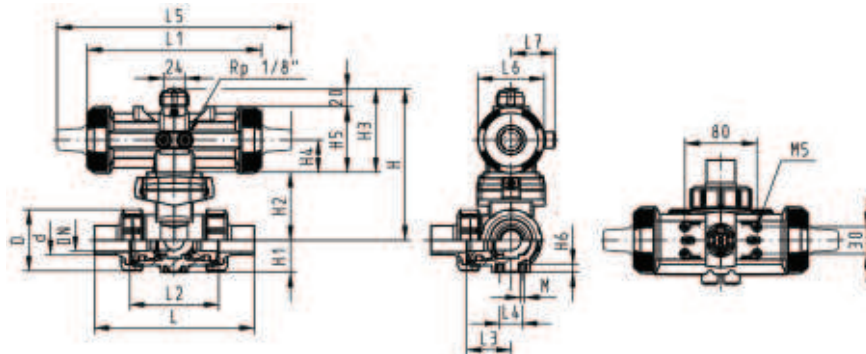
Model:

- Material: PVDF
- Built on with pneumatic actuator PA11 (DN10/15-25), PA21 (DN32-50)
- Actuator fails safe to the closed position FC
- Basic position B-C opened, activated position A-C opened, see flow scheme
- Control time 90°<) 1-3 s
- For easy installation and removal
- Integrated stainless steel mounting inserts

d [mm]	DN [mm]	PN	kv-value (Δp=1 bar) [l/min]	FPM Code
20	15	10	75	199 287 053
25	20	10	150	199 287 054
32	25	10	280	199 287 055
40	32	10	480	199 287 056
50	40	10	620	199 287 057
63	50	10	1230	199 287 058

d [mm]	D [mm]	H [mm]	H1 [mm]	H2 [mm]	H3 [mm]	H4 [mm]	H5 [mm]	H6 [mm]	L [mm]	L1 [mm]	L2 [mm]	L3 [mm]	L4 [mm]	L5 [mm]	L6 [mm]
20	50	159	28	62	97	40	77	8	146	194	72	36	25	261	76
25	58	168	32	71	97	40	77	8	163	194	85	43	25	261	76
32	68	168	36	71	97	40	77	8	178	194	98	49	25	261	76
40	84	203	45	84	119	51	99	9	204	224	118	59	45	305	95
50	97	203	51	84	119	51	99	9	237	224	135	68	45	305	95
63	124	225	65	106	119	51	99	9	296	224	176	88	45	305	95

d [mm]	L7 [mm]	M	closest inch
20	48	6	1/2
25	48	6	3/4
32	48	6	1
40	59	8	1 1/4
50	59	8	1 1/2
63	59	8	2



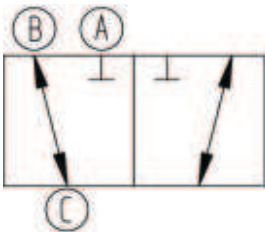
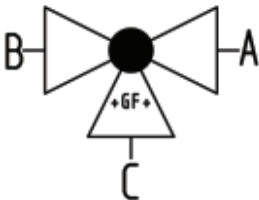
SYGEF Standard metric/ASTM/ANSI



SYGEF Standard 3-Way ball valve type 287 Horizontal/L-port Without manual override With threaded sockets NPT

Model:

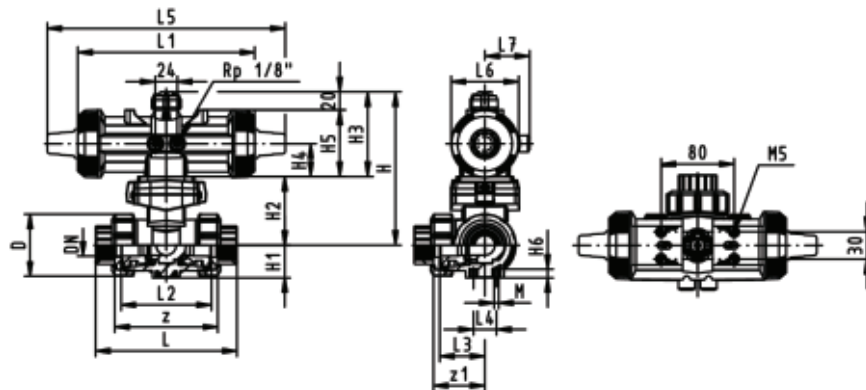
- Material: PVDF
- Built on with pneumatic actuator PA11 (DN10/15-25), PA21 (DN32-50)
- Actuator fails safe to the closed position FC
- Basic position B-C opened, activated position A-C opened, see flow scheme
- Control time $90^\circ <$ 1-3 s
- For easy installation and removal
- Integrated stainless steel mounting inserts



NPT [inch]	DN [mm]	PN	kv-value ($\Delta p=1$ bar) [l/min]	FPM Code
3/8	10	10	50	199 287 242
1/2	15	10	75	199 287 243
3/4	20	10	150	199 287 244
1	25	10	280	199 287 245
1 1/4	32	10	480	199 287 246
1 1/2	40	10	620	199 287 247
2	50	10	1230	199 287 248

NPT [inch]	D [mm]	H [mm]	H1 [mm]	H2 [mm]	H3 [mm]	H4 [mm]	H5 [mm]	H6 [mm]	L [mm]	L1 [mm]	L2 [mm]	L3 [mm]	L4 [mm]	L5 [mm]	L6 [mm]
3/8	50	159	28	62	97	40	77	8	112	194	72	36	25	261	76
1/2	50	159	28	62	97	40	77	8	114	194	72	36	25	261	76
3/4	58	168	32	71	97	40	77	8	131	194	85	43	25	261	76
1	68	168	36	71	97	40	77	8	154	194	98	49	25	261	76
1 1/4	84	203	45	84	119	51	99	9	180	224	118	59	45	305	95
1 1/2	97	203	51	84	119	51	99	9	203	224	135	68	45	305	95
2	124	225	65	106	119	51	99	9	258	224	176	88	45	305	95

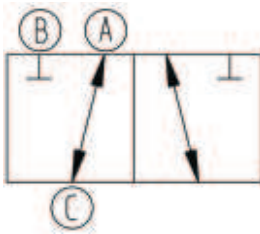
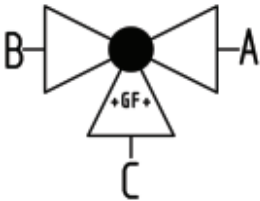
NPT [inch]	L7 [mm]	M	z [mm]	z1 [mm]
3/8	48	6	86	43
1/2	48	6	80	40
3/4	48	6	95	48
1	48	6	110	55
1 1/4	59	8	132	66
1 1/2	59	8	157	79
2	59	8	210	105



SYGEF Standard metric/ASTM/ANSI



SYGEF Standard
3-Way ball valve type 287
Horizontal/L-port DA (Double acting)
Without manual override
With fusion sockets metric



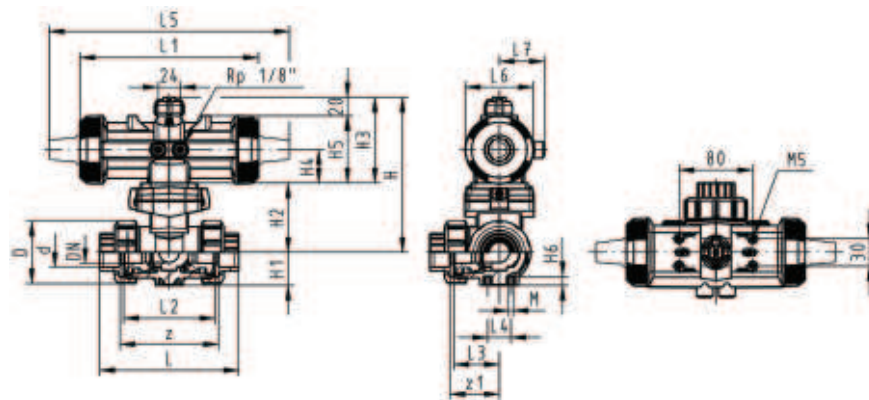
Model:

- Material: PVDF
- Built on with pneumatic actuator PA11 (DN10/15-25), PA21 (DN32-50)
- Basic position A-C opened, activated position B-C opened, see flow scheme
- Control time 90°<) 1-3 s
- For easy installation and removal
- Integrated stainless steel mounting inserts

d [mm]	DN [mm]	PN	kv-value (Δp=1 bar) [l/min]	FPM Code
16	10	10	50	199 287 212
20	15	10	75	199 287 213
25	20	10	150	199 287 214
32	25	10	280	199 287 215
40	32	10	480	199 287 216
50	40	10	620	199 287 217
63	50	10	1230	199 287 218

d [mm]	D [mm]	H [mm]	H1 [mm]	H2 [mm]	H3 [mm]	H4 [mm]	H5 [mm]	H6 [mm]	L [mm]	L1 [mm]	L2 [mm]	L3 [mm]	L4 [mm]	L5 [mm]	L6 [mm]
16	50	159	28	62	97	40	77	8	110	194	72	36	25	261	76
20	50	159	28	62	97	40	77	8	112	194	72	36	25	261	76
25	58	168	32	71	97	40	77	8	129	194	85	43	25	261	76
32	68	168	36	71	97	40	77	8	146	194	98	49	25	261	76
40	84	203	45	84	119	51	99	9	170	224	118	59	45	305	95
50	97	203	51	84	119	51	99	9	193	224	135	68	45	305	95
63	124	225	65	106	119	51	99	9	244	224	176	88	45	305	95

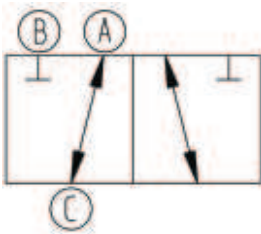
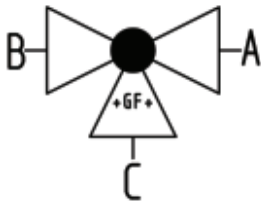
d [mm]	L7 [mm]	M	z [mm]	z1 [mm]	closest inch
16	48	6	82	41	3/8
20	48	6	82	41	1/2
25	48	6	97	49	3/4
32	48	6	110	55	1
40	59	8	132	66	1 1/4
50	59	8	151	76	1 1/2
63	59	8	188	94	2



SYGEF Standard metric/ASTM/ANSI



SYGEF Standard
3-Way ball valve type 287
Horizontal/L-port DA (Double acting)
Without manual override
With socket fusion spigots metric



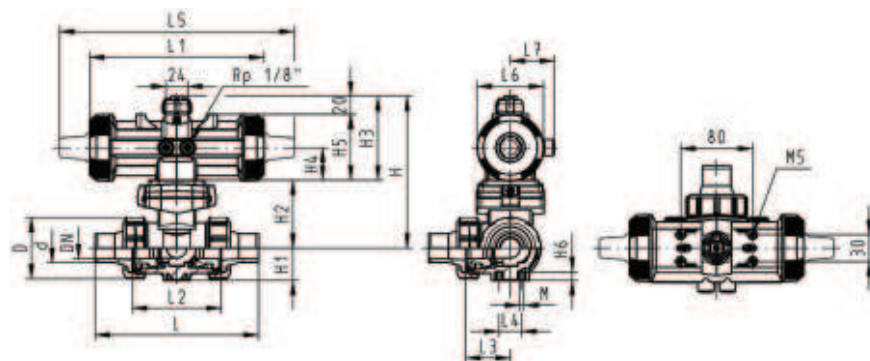
Model:

- Material: PVDF
- Built on with pneumatic actuator PA11 (DN10/15-25), PA21 (DN32-50)
- Basic position A-C opened, activated position B-C opened, see flow scheme
- Control time $90^\circ <$ 1-3 s
- For easy installation and removal
- Integrated stainless steel mounting inserts

d [mm]	DN [mm]	PN	kv-value ($\Delta p=1$ bar) [l/min]	FPM Code
16	10	10	50	199 287 132
20	15	10	75	199 287 133
25	20	10	150	199 287 134
32	25	10	280	199 287 135
40	32	10	480	199 287 136
50	40	10	620	199 287 137
63	50	10	1230	199 287 138

d [mm]	D [mm]	H [mm]	H1 [mm]	H2 [mm]	H3 [mm]	H4 [mm]	H5 [mm]	H6 [mm]	L [mm]	L1 [mm]	L2 [mm]	L3 [mm]	L4 [mm]	L5 [mm]	L6 [mm]
16	50	159	28	62	97	40	77	8	126	194	72	36	25	261	76
20	50	159	28	62	97	40	77	8	136	194	72	36	25	261	76
25	58	168	32	71	97	40	77	8	159	194	85	43	25	261	76
32	68	168	36	71	97	40	77	8	178	194	98	49	25	261	76
40	84	203	45	84	119	51	99	9	204	224	118	59	45	305	95
50	97	203	51	84	119	51	99	9	237	224	135	68	45	305	95
63	124	225	65	106	119	51	99	9	296	224	176	88	45	305	95

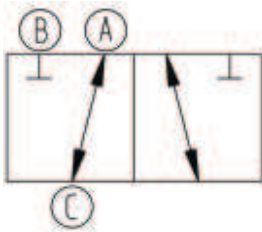
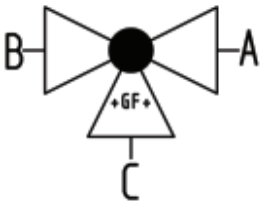
d [mm]	L7 [mm]	M	closest inch
16	48	6	$\frac{3}{8}$
20	48	6	$\frac{1}{2}$
25	48	6	$\frac{3}{4}$
32	48	6	1
40	59	8	$1 \frac{1}{4}$
50	59	8	$1 \frac{1}{2}$
63	59	8	2



SYGEF Standard metric/ASTM/ANSI



SYGEF Standard
3-Way ball valve type 287
Horizontal/L-port DA (Double acting)
Without manual override
With butt fusion spigots IR-Plus metric



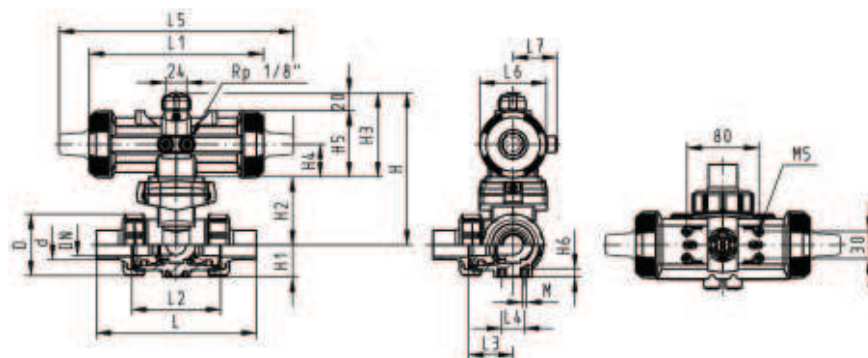
Model:

- Material: PVDF
- Built on with pneumatic actuator PA11 (DN10/15-25), PA21 (DN32-50)
- Basic position A-C opened, activated position B-C opened, see flow scheme
- Control time 90°<) 1-3 s
- For easy installation and removal
- Integrated stainless steel mounting inserts

d [mm]	DN [mm]	PN	kv-value (Δp=1 bar) [l/min]	FPM Code
20	15	10	75	199 287 173
25	20	10	150	199 287 174
32	25	10	280	199 287 175
40	32	10	480	199 287 176
50	40	10	620	199 287 177
63	50	10	1230	199 287 178

d [mm]	D [mm]	H [mm]	H1 [mm]	H2 [mm]	H3 [mm]	H4 [mm]	H5 [mm]	H6 [mm]	L [mm]	L1 [mm]	L2 [mm]	L3 [mm]	L4 [mm]	L5 [mm]	L6 [mm]
20	50	159	28	62	97	40	77	8	146	194	72	36	25	261	76
25	58	168	32	71	97	40	77	8	163	194	85	43	25	261	76
32	68	168	36	71	97	40	77	8	178	194	98	49	25	261	76
40	84	203	45	84	119	51	99	9	204	224	118	59	45	305	95
50	97	203	51	84	119	51	99	9	237	224	135	68	45	305	95
63	124	225	65	106	119	51	99	9	296	224	176	88	45	305	95

d [mm]	L7 [mm]	M	closest inch
20	48	6	1/2
25	48	6	3/4
32	48	6	1
40	59	8	1 1/4
50	59	8	1 1/2
63	59	8	2



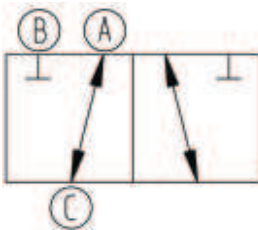
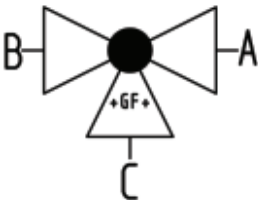
SYGEF Standard metric/ASTM/ANSI



SYGEF Standard 3-Way ball valve type 287 Horizontal/L-port DA (Double acting) Without manual override With threaded sockets NPT

Model:

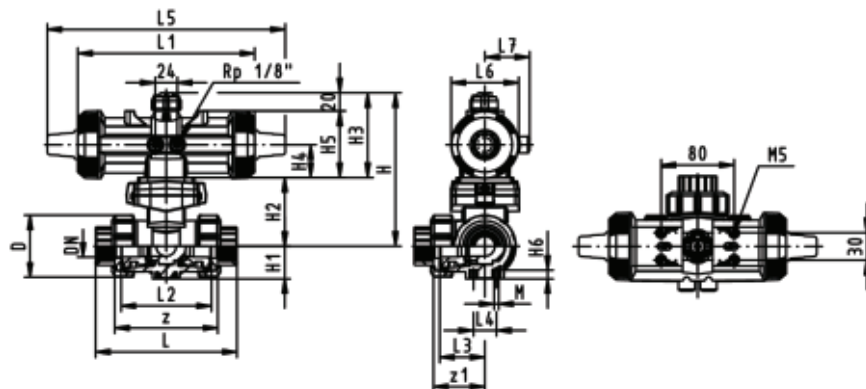
- Material: PVDF
- Built on with pneumatic actuator PA11 (DN10/15-25), PA21 (DN32-50)
- Basic position A-C opened, activated position B-C opened, see flow scheme
- Control time $90^\circ <$ 1-3 s
- For easy installation and removal
- Integrated stainless steel mounting inserts



NPT [inch]	DN [mm]	PN	kv-value ($\Delta p=1$ bar) [l/min]	FPM Code
3/8	10	10	50	199 287 262
1/2	15	10	75	199 287 263
3/4	20	10	150	199 287 264
1	25	10	280	199 287 265
1 1/4	32	10	480	199 287 266
1 1/2	40	10	620	199 287 267
2	50	10	1230	199 287 268

NPT [inch]	D [mm]	H [mm]	H1 [mm]	H2 [mm]	H3 [mm]	H4 [mm]	H5 [mm]	H6 [mm]	L [mm]	L1 [mm]	L2 [mm]	L3 [mm]	L4 [mm]	L5 [mm]	L6 [mm]
3/8	50	159	28	62	97	40	77	8	112	194	72	36	25	261	76
1/2	50	159	28	62	97	40	77	8	114	194	72	36	25	261	76
3/4	58	168	32	71	97	40	77	8	131	194	85	43	25	261	76
1	68	168	36	71	97	40	77	8	154	194	98	49	25	261	76
1 1/4	84	203	45	84	119	51	99	9	180	224	118	59	45	305	95
1 1/2	97	203	51	84	119	51	99	9	203	224	135	68	45	305	95
2	124	225	65	106	119	51	99	9	258	224	176	88	45	305	95

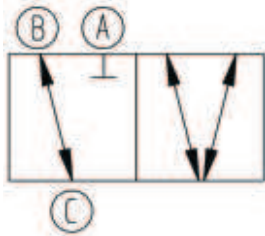
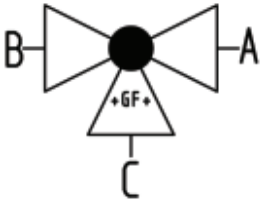
NPT [inch]	L7 [mm]	M	z [mm]	z1 [mm]
3/8	48	6	86	43
1/2	48	6	80	40
3/4	48	6	95	48
1	48	6	110	55
1 1/4	59	8	132	66
1 1/2	59	8	157	79
2	59	8	210	105



SYGEF Standard metric/ASTM/ANSI



SYGEF Standard 3-Way ball valve type 287 Horizontal/T-port Without manual override With fusion sockets metric



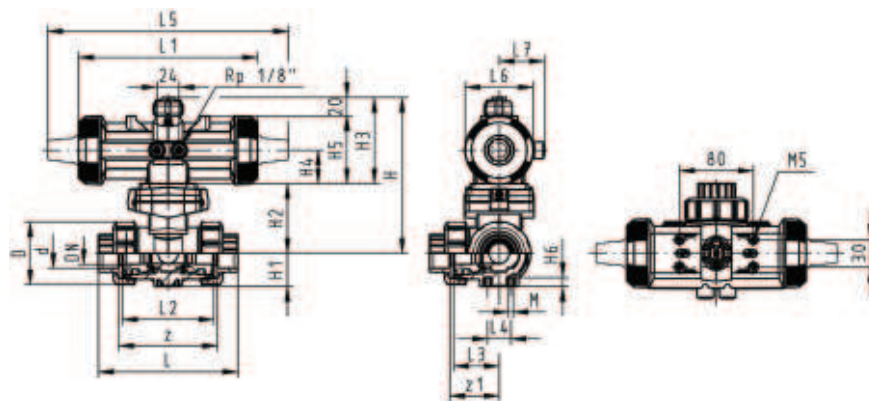
Model:

- Material: PVDF
- Built on with pneumatic actuator PA11 (DN10/15-25), PA21 (DN32-50)
- Actuator fails safe to the closed position FC
- Basic position B-C opened, activated position A-B-C opened, see flow scheme
- Control time $90^\circ <$ 1-3 s
- For easy installation and removal
- Integrated stainless steel mounting inserts

d [mm]	DN [mm]	PN	kv-value ($\Delta p=1$ bar) [l/min]	FPM Code
16	10	10	140	199 287 112
20	15	10	200	199 287 113
25	20	10	470	199 287 114
32	25	10	793	199 287 115
40	32	10	1290	199 287 116
50	40	10	1910	199 287 117
63	50	10	3100	199 287 118

d [mm]	D [mm]	H [mm]	H1 [mm]	H2 [mm]	H3 [mm]	H4 [mm]	H5 [mm]	H6 [mm]	L [mm]	L1 [mm]	L2 [mm]	L3 [mm]	L4 [mm]	L5 [mm]	L6 [mm]
16	50	159	28	62	97	40	77	8	110	194	72	36	25	261	76
20	50	159	28	62	97	40	77	8	112	194	72	36	25	261	76
25	58	168	32	71	97	40	77	8	129	194	85	43	25	261	76
32	68	168	36	71	97	40	77	8	146	194	98	49	25	261	76
40	84	203	45	84	119	51	99	9	170	224	118	59	45	305	95
50	97	203	51	84	119	51	99	9	193	224	135	68	45	305	95
63	124	225	65	106	119	51	99	9	244	224	176	88	45	305	95

d [mm]	L7 [mm]	M	z [mm]	z1 [mm]	closest inch
16	48	6	82	41	$\frac{3}{8}$
20	48	6	82	41	$\frac{1}{2}$
25	48	6	97	49	$\frac{3}{4}$
32	48	6	110	55	1
40	59	8	132	66	$1 \frac{1}{4}$
50	59	8	151	76	$1 \frac{1}{2}$
63	59	8	188	94	2



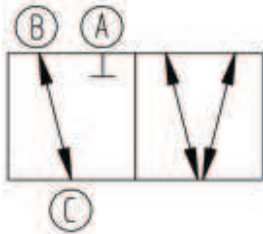
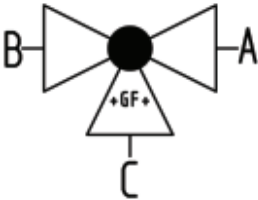
SYGEF Standard metric/ASTM/ANSI



SYGEF Standard 3-Way ball valve type 287 Horizontal/T-port Without manual override With socket fusion spigots metric

Model:

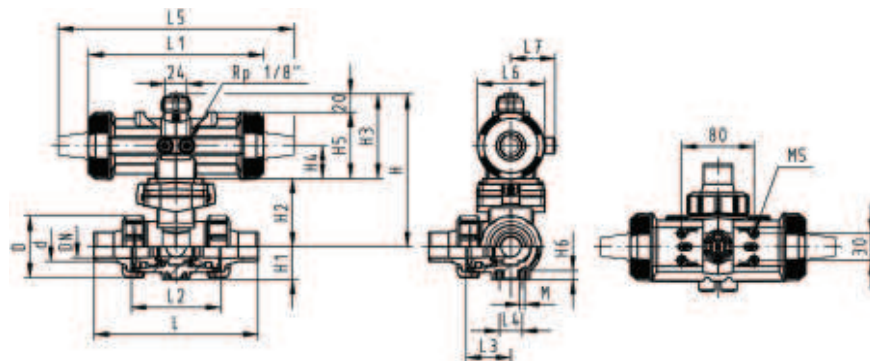
- Material: PVDF
- Built on with pneumatic actuator PA11 (DN10/15-25), PA21 (DN32-50)
- Actuator fails safe to the closed position FC
- Basic position B-C opened, activated position A-B-C opened, see flow scheme
- Control time $90^\circ <$) 1-3 s
- For easy installation and removal
- Integrated stainless steel mounting inserts



d [mm]	DN [mm]	PN	kv-value ($\Delta p=1$ bar) [l/min]	FPM Code
16	10	10	140	199 287 032
20	15	10	200	199 287 033
25	20	10	470	199 287 034
32	25	10	793	199 287 035
40	32	10	1290	199 287 036
50	40	10	1910	199 287 037
63	50	10	3100	199 287 038

d [mm]	D [mm]	H [mm]	H1 [mm]	H2 [mm]	H3 [mm]	H4 [mm]	H5 [mm]	H6 [mm]	L [mm]	L1 [mm]	L2 [mm]	L3 [mm]	L4 [mm]	L5 [mm]	L6 [mm]
16	50	159	28	62	97	40	77	8	126	194	72	36	25	261	76
20	50	159	28	62	97	40	77	8	136	194	72	36	25	261	76
25	58	168	32	71	97	40	77	8	159	194	85	43	25	261	76
32	68	168	36	71	97	40	77	8	178	194	98	49	25	261	76
40	84	203	45	84	119	51	99	9	204	224	118	59	45	305	95
50	97	203	51	84	119	51	99	9	237	224	135	68	45	305	95
63	124	225	65	106	119	51	99	9	296	224	176	88	45	305	95

d [mm]	L7 [mm]	M	closest inch
16	48	6	$\frac{3}{8}$
20	48	6	$\frac{1}{2}$
25	48	6	$\frac{3}{4}$
32	48	6	1
40	59	8	$1 \frac{1}{4}$
50	59	8	$1 \frac{1}{2}$
63	59	8	2

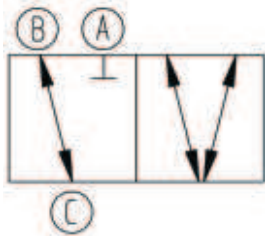
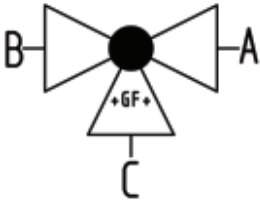


SYGEF Standard metric/ASTM/ANSI



SYGEF Standard 3-Way ball valve type 287 Horizontal/T-port

Without manual override
With butt fusion spigots IR-Plus metric



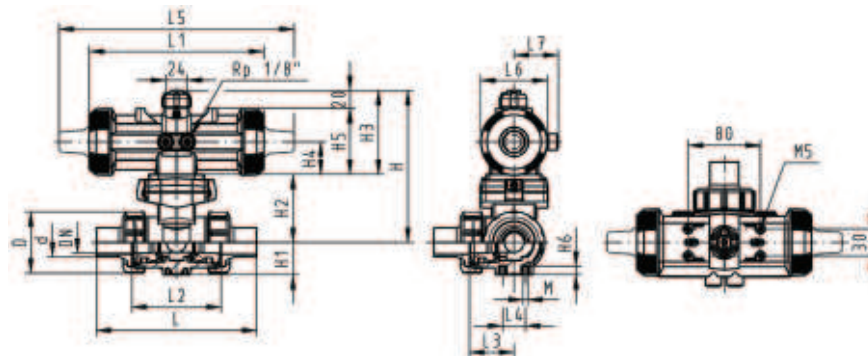
Model:

- Material: PVDF
- Built on with pneumatic actuator PA11 (DN10/15-25), PA21 (DN32-50)
- Actuator fails safe to the closed position FC
- Basic position B-C opened, activated position A-B-C opened, see flow scheme
- Control time 90° < 1-3 s
- For easy installation and removal
- Integrated stainless steel mounting inserts

d [mm]	DN [mm]	PN	kv-value (Δp=1 bar) [l/min]	FPM Code
20	15	10	200	199 287 073
25	20	10	470	199 287 074
32	25	10	793	199 287 075
40	32	10	1290	199 287 076
50	40	10	1910	199 287 077
63	50	10	3100	199 287 078

d [mm]	D [mm]	H [mm]	H1 [mm]	H2 [mm]	H3 [mm]	H4 [mm]	H5 [mm]	H6 [mm]	L [mm]	L1 [mm]	L2 [mm]	L3 [mm]	L4 [mm]	L5 [mm]	L6 [mm]
20	50	159	28	62	97	40	77	8	146	194	72	36	25	261	76
25	58	168	32	71	97	40	77	8	163	194	85	43	25	261	76
32	68	168	36	71	97	40	77	8	178	194	98	49	25	261	76
40	84	203	45	84	119	51	99	9	204	224	118	59	45	305	95
50	97	203	51	84	119	51	99	9	237	224	135	68	45	305	95
63	124	225	65	106	119	51	99	9	296	224	176	88	45	305	95

d [mm]	L7 [mm]	M	closest inch
20	48	6	1/2
25	48	6	3/4
32	48	6	1
40	59	8	1 1/4
50	59	8	1 1/2
63	59	8	2



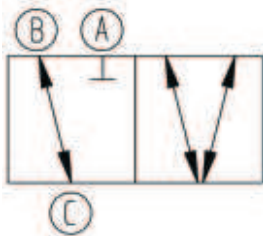
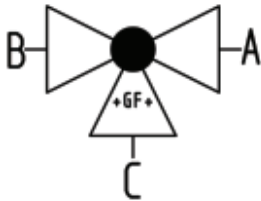
SYGEF Standard metric/ASTM/ANSI



SYGEF Standard 3-Way ball valve type 287 Horizontal/T-port Without manual override With threaded sockets NPT

Model:

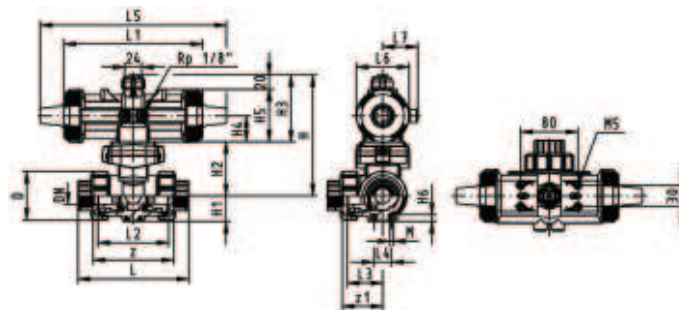
- Material: PVDF
- Built on with pneumatic actuator PA11 (DN10/15-25), PA21 (DN32-50)
- Actuator fails safe to the closed position FC
- Basic position B-C opened, activated position A-B-C opened, see flow scheme
- Control time $90^\circ <$ 1-3 s
- For easy installation and removal
- Integrated stainless steel mounting inserts



NPT [inch]	DN [mm]	PN	kv-value ($\Delta p=1$ bar) [l/min]	FPM Code
3/8	10	10	140	199 287 252
1/2	15	10	200	199 287 253
3/4	20	10	470	199 287 254
1	25	10	793	199 287 255
1 1/4	32	10	1290	199 287 256
1 1/2	40	10	1910	199 287 257
2	50	10	3100	199 287 258

NPT [inch]	D [mm]	H [mm]	H1 [mm]	H2 [mm]	H3 [mm]	H4 [mm]	H5 [mm]	H6 [mm]	L [mm]	L1 [mm]	L2 [mm]	L3 [mm]	L4 [mm]	L5 [mm]	L6 [mm]
3/8	50	159	28	62	97	40	77	8	112	194	72	36	25	261	76
1/2	50	159	28	62	97	40	77	8	114	194	72	36	25	261	76
3/4	58	168	32	71	97	40	77	8	131	194	85	43	25	261	76
1	68	168	36	71	97	40	77	8	154	194	98	49	25	261	76
1 1/4	84	203	45	84	119	51	99	9	180	224	118	59	45	305	95
1 1/2	97	203	51	84	119	51	99	9	203	224	135	68	45	305	95
2	124	225	65	106	119	51	99	9	258	224	176	88	45	305	95

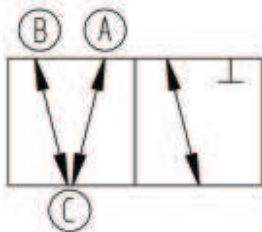
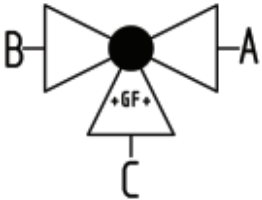
NPT [inch]	L7 [mm]	M	z [mm]	z1 [mm]
3/8	48	6	86	43
1/2	48	6	80	40
3/4	48	6	95	48
1	48	6	110	55
1 1/4	59	8	132	66
1 1/2	59	8	157	79
2	59	8	210	105



SYGEF Standard metric/ASTM/ANSI



SYGEF Standard 3-Way ball valve type 287 Horizontal/T-port DA (Double acting) Without manual override With fusion sockets metric



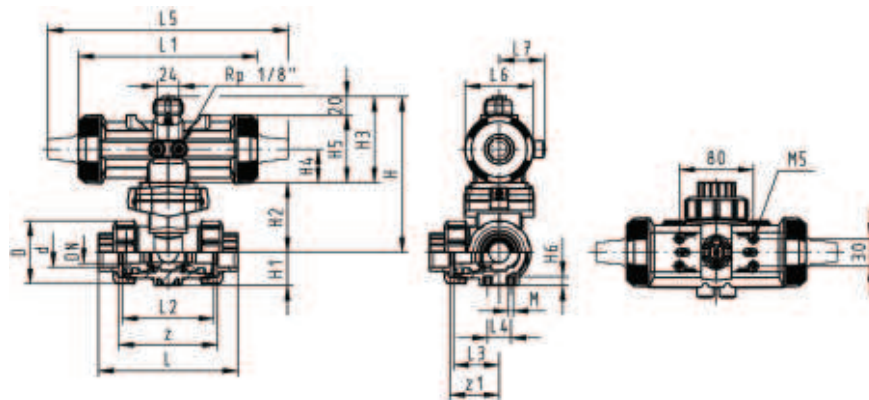
Model:

- Material: PVDF
- Built on with pneumatic actuator PA11 (DN10/15-25), PA21 (DN32-50)
- Basic position A-B-C opened, activated position B-C opened, see flow scheme
- Control time 90°<) 1-3 s
- For easy installation and removal
- Integrated stainless steel mounting inserts

d [mm]	DN [mm]	PN	kv-value ($\Delta p=1$ bar) [l/min]	FPM Code
16	10	10	140	199 287 232
20	15	10	200	199 287 233
25	20	10	470	199 287 234
32	25	10	793	199 287 235
40	32	10	1290	199 287 236
50	40	10	1910	199 287 237
63	50	10	3100	199 287 238

d [mm]	D [mm]	H [mm]	H1 [mm]	H2 [mm]	H3 [mm]	H4 [mm]	H5 [mm]	H6 [mm]	L [mm]	L1 [mm]	L2 [mm]	L3 [mm]	L4 [mm]	L5 [mm]	L6 [mm]
16	50	159	28	62	97	40	77	8	110	194	72	36	25	261	76
20	50	159	28	62	97	40	77	8	112	194	72	36	25	261	76
25	58	168	32	71	97	40	77	8	129	194	85	43	25	261	76
32	68	168	36	71	97	40	77	8	146	194	98	49	25	261	76
40	84	203	45	84	119	51	99	9	170	224	118	59	45	305	95
50	97	203	51	84	119	51	99	9	193	224	135	68	45	305	95
63	124	225	65	106	119	51	99	9	244	224	176	88	45	305	95

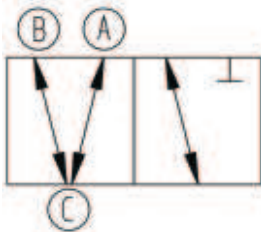
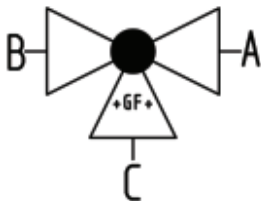
d [mm]	L7 [mm]	M	z [mm]	z1 [mm]	closest inch
16	48	6	82	41	3/8
20	48	6	82	41	1/2
25	48	6	97	49	3/4
32	48	6	110	55	1
40	59	8	132	66	1 1/4
50	59	8	151	76	1 1/2
63	59	8	188	94	2



SYGEF Standard metric/ASTM/ANSI



SYGEF Standard
3-Way ball valve type 287
Horizontal/T-port DA (Double acting)
Without manual override
With socket fusion spigots metric



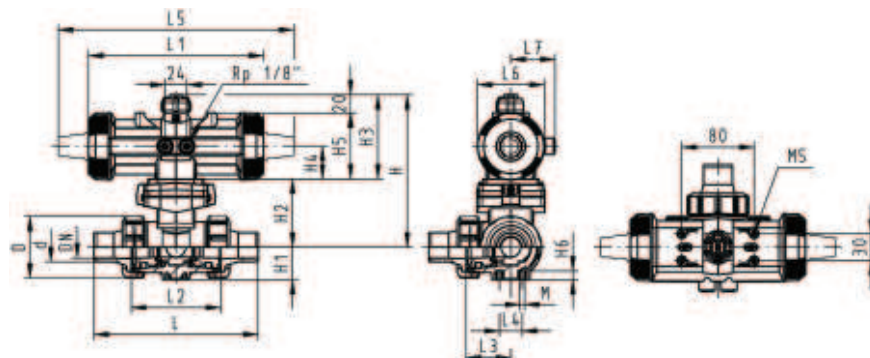
Model:

- Material: PVDF
- Built on with pneumatic actuator PA11 (DN10/15-25), PA21 (DN32-50)
- Basic position A-B-C opened, activated position B-C opened, see flow scheme
- Control time 90°<) 1-3 s
- For easy installation and removal
- Integrated stainless steel mounting inserts

d [mm]	DN [mm]	PN	kv-value (Δp=1 bar) [l/min]	FPM Code
16	10	10	140	199 287 152
20	15	10	200	199 287 153
25	20	10	470	199 287 154
32	25	10	793	199 287 155
40	32	10	1290	199 287 156
50	40	10	1910	199 287 157
63	50	10	3100	199 287 158

d [mm]	D [mm]	H [mm]	H1 [mm]	H2 [mm]	H3 [mm]	H4 [mm]	H5 [mm]	H6 [mm]	L [mm]	L1 [mm]	L2 [mm]	L3 [mm]	L4 [mm]	L5 [mm]	L6 [mm]
16	50	159	28	62	97	40	77	8	126	194	72	36	25	261	76
20	50	159	28	62	97	40	77	8	136	194	72	36	25	261	76
25	58	168	32	71	97	40	77	8	159	194	85	43	25	261	76
32	68	168	36	71	97	40	77	8	178	194	98	49	25	261	76
40	84	203	45	84	119	51	99	9	204	224	118	59	45	305	95
50	97	203	51	84	119	51	99	9	237	224	135	68	45	305	95
63	124	225	65	106	119	51	99	9	296	224	176	88	45	305	95

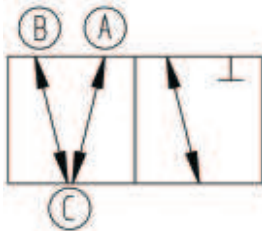
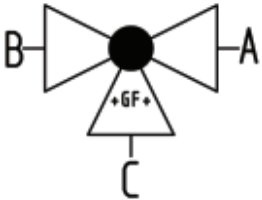
d [mm]	L7 [mm]	M	closest inch
16	48	6	3/8
20	48	6	1/2
25	48	6	3/4
32	48	6	1
40	59	8	1 1/4
50	59	8	1 1/2
63	59	8	2



SYGEF Standard metric/ASTM/ANSI



SYGEF Standard
3-Way ball valve type 287
Horizontal/T-port DA (Double acting)
Without manual override
With butt fusion spigots IR-Plus metric



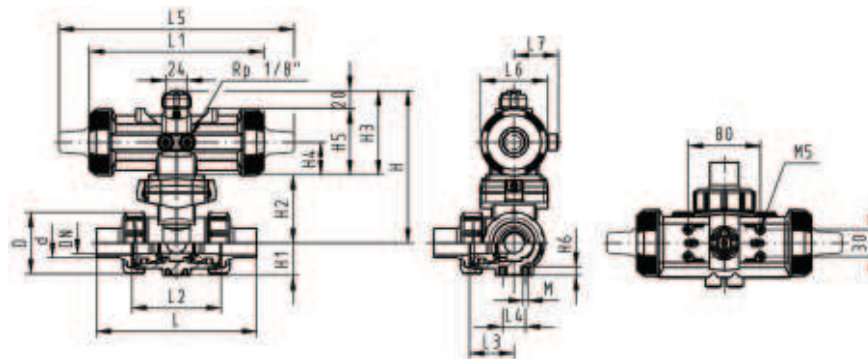
Model:

- Material: PVDF
- Built on with pneumatic actuator PA11 (DN10/15-25), PA21 (DN32-50)
- Basic position A-B-C opened, activated position B-C opened, see flow scheme
- Control time 90°<) 1-3 s
- For easy installation and removal
- Integrated stainless steel mounting inserts

d [mm]	DN [mm]	PN	kv-value (Δp=1 bar) [l/min]	FPM Code
20	15	10	140	199 287 193
25	20	10	200	199 287 194
32	25	10	470	199 287 195
40	32	10	793	199 287 196
50	40	10	1290	199 287 197
63	50	10	3100	199 287 198

d [mm]	D [mm]	H [mm]	H1 [mm]	H2 [mm]	H3 [mm]	H4 [mm]	H5 [mm]	H6 [mm]	L [mm]	L1 [mm]	L2 [mm]	L3 [mm]	L4 [mm]	L5 [mm]	L6 [mm]
20	50	159	28	62	97	40	77	8	146	194	72	36	25	261	76
25	58	168	32	71	97	40	77	8	163	194	85	43	25	261	76
32	68	168	36	71	97	40	77	8	178	194	98	49	25	261	76
40	84	203	45	84	119	51	99	9	204	224	118	59	45	305	95
50	97	203	51	84	119	51	99	9	237	224	135	68	45	305	95
63	124	225	65	106	119	51	99	9	296	224	176	88	45	305	95

d [mm]	L7 [mm]	M	closest inch
20	48	6	1/2
25	48	6	3/4
32	48	6	1
40	59	8	1 1/4
50	59	8	1 1/2
63	59	8	2



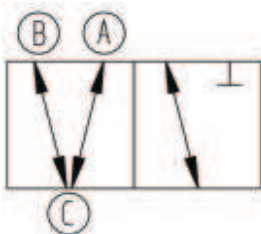
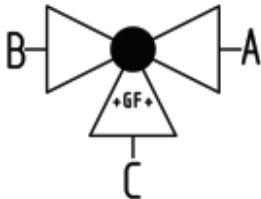
SYGEF Standard metric/ASTM/ANSI



SYGEF Standard 3-Way ball valve type 287 Horizontal/T-port DA (Double acting) Without manual override With threaded sockets NPT

Model:

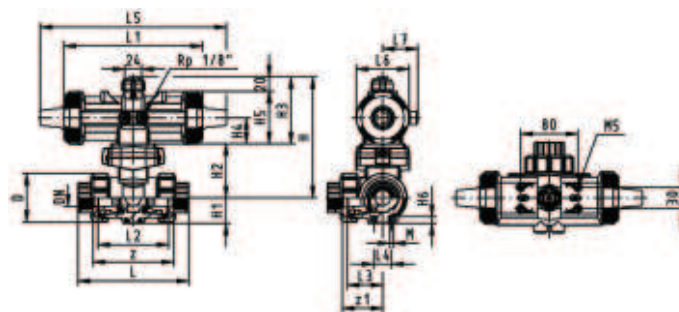
- Material: PVDF
- Built on with pneumatic actuator PA11 (DN10/15-25), PA21 (DN32-50)
- Basic position A-B-C opened, activated position B-C opened, see flow scheme
- Control time 90°<) 1-3 s
- For easy installation and removal
- Integrated stainless steel mounting inserts



NPT [inch]	DN [mm]	PN	kv-value ($\Delta p=1$ bar) [l/min]	FPM Code
3/8	10	10	140	199 287 272
1/2	15	10	200	199 287 273
3/4	20	10	470	199 287 274
1	25	10	793	199 287 275
1 1/4	32	10	1290	199 287 276
1 1/2	40	10	1910	199 287 277
2	50	10	3100	199 287 278

NPT [inch]	D [mm]	H [mm]	H1 [mm]	H2 [mm]	H3 [mm]	H4 [mm]	H5 [mm]	H6 [mm]	L [mm]	L1 [mm]	L2 [mm]	L3 [mm]	L4 [mm]	L5 [mm]	L6 [mm]
3/8	50	159	28	62	97	40	77	8	112	194	72	36	25	261	76
1/2	50	159	28	62	97	40	77	8	114	194	72	36	25	261	76
3/4	58	168	32	71	97	40	77	8	131	194	85	43	25	261	76
1	68	168	36	71	97	40	77	8	154	194	98	49	25	261	76
1 1/4	84	203	45	84	119	51	99	9	180	224	118	59	45	305	95
1 1/2	97	203	51	84	119	51	99	9	203	224	135	68	45	305	95
2	124	225	65	106	119	51	99	9	258	224	176	88	45	305	95

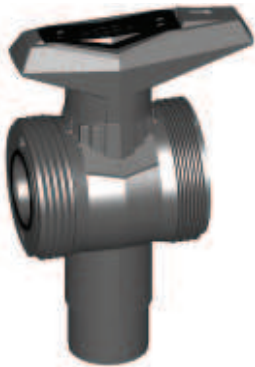
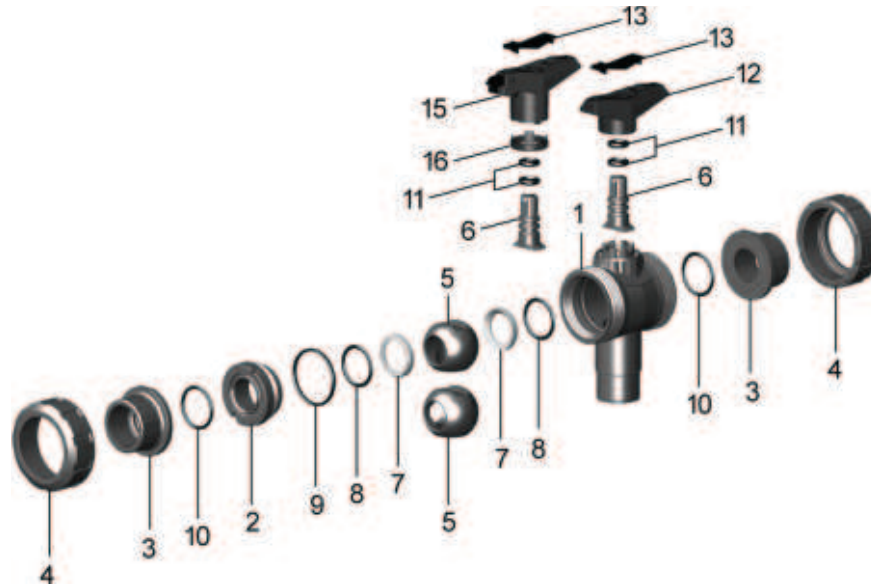
NPT [inch]	L7 [mm]	M	z [mm]	z1 [mm]
3/8	48	6	86	43
1/2	48	6	80	40
3/4	48	6	95	48
1	48	6	110	55
1 1/4	59	8	132	66
1 1/2	59	8	157	79
2	59	8	210	105



Spare parts

Spare parts ball valves

Spare parts ball valve type 543 vertical

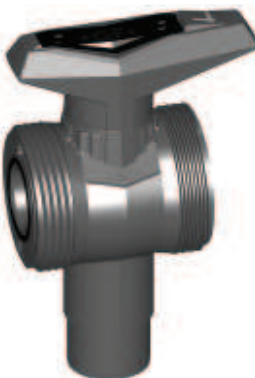


Central part L-port

Model:

- Every connecting pieces and union nuts are listed on product range industry valves
- Ball seals standard in PTFE
- Central part consisting of: body (1), union bush (2), ball (5), stem (6), ball-, backing-, body-, face- and stem seal (7-11) and standard lever (12)

d [mm]	Inch	DN [mm]	PVC-U EPDM Code	PVC-U FPM Code	ABS EPDM Code
16	3/8	10	161 488 042	161 488 052	169 481 222
20	3/8	15	161 488 042	161 488 052	169 481 222
25	3/4	20	161 488 043	161 488 053	169 481 223
32	1	25	161 488 044	161 488 054	169 481 224
40	1 1/4	32	161 488 045	161 488 055	169 481 225
50	1 1/2	40	161 488 046	161 488 056	169 481 226
63	2	50	161 488 047	161 488 057	169 481 227



Central part diverter ball

Model:

- Ball seals standard in PTFE
- Central part consisting of: body (1), union bush (2), ball (5), stem (6), ball-, backing-, body-, face- and stem seal (7-11) and standard lever (12)

d [mm]	Inch	DN [mm]	PVC-U EPDM Code	PVC-U FPM Code	ABS EPDM Code
16	3/8	10	161 488 062	161 488 072	169 481 232
20	1/2	15	161 488 062	161 488 072	169 481 232
25	3/4	20	161 488 063	161 488 073	169 481 233
32	1	25	161 488 064	161 488 074	169 481 234
40	1 1/4	32	161 488 065	161 488 075	169 481 235
50	1 1/2	40	161 488 066	161 488 076	169 481 236
63	2	50	161 488 067	161 488 077	169 481 237

Spare parts

Ball set L-port

Model:

- Ball seals standard in PTFE
- Ball set consisting of: lever (12), ball (5), stem (6), ball-, backing-, body- and stem seal (7-9,11)



d [mm]	Inch	DN [mm]	PVC-U EPDM Code	PVC-U FPM Code	ABS EPDM Code	
16	3/8	10	161 488 202	161 488 212	169 481 302	
20	1/2	15	161 488 202	161 488 212	169 481 302	
25	3/4	20	161 488 203	161 488 213	169 481 303	
32	1	25	161 488 204	161 488 214	169 481 304	
40	1 1/4	32	161 488 205	161 488 215	169 481 305	
50	1 1/2	40	161 488 206	161 488 216	169 481 306	
63	2	50	161 488 207	161 488 217	169 481 307	

Ball set diverter ball

Model:

- Ball seals standard in PTFE
- Ball set consisting of: lever (12), ball (5), stem (6), ball-, backing-, body- and stem seal (7-9,11)



d [mm]	Inch	DN [mm]	PVC-U EPDM Code	PVC-U FPM Code	ABS EPDM Code	
16	3/8	10	161 488 222	161 488 232	169 481 312	
20	1/2	15	161 488 222	161 488 232	169 481 312	
25	3/4	20	161 488 223	161 488 233	169 481 313	
32	1	25	161 488 224	161 488 234	169 481 314	
40	1 1/4	32	161 488 225	161 488 235	169 481 315	
50	1 1/2	40	161 488 226	161 488 236	169 481 316	
63	2	50	161 488 227	161 488 237	169 481 317	

Lever



d [mm]	Inch	DN [mm]	Standard lever L-port red Code	Standard lever diverter ball red Code	Multifunctional-lever L-port red Code	Multifunctional-lever diverter ball red Code	
16	3/8	10	167 484 688	167 484 788	167 484 642	167 484 742	
20	1/2	15	167 484 688	167 484 788	167 484 642	167 484 742	
25	3/4	20	167 484 689	167 484 789	167 484 643	167 484 743	
32	1	25	167 484 690	167 484 790	167 484 644	167 484 744	
40	1 1/4	32	167 484 691	167 484 791	167 484 645	167 484 745	
50	1 1/2	40	167 484 692	167 484 792	167 484 646	167 484 746	
63	2	50	167 484 693	167 484 793	167 484 647	167 484 747	

Face seal



d [mm]	Inch	DN [mm]	EPDM Code	FPM Code	
16	3/8	10	748 410 059	749 410 059	
20	1/2	15	748 410 059	749 410 059	
25	3/4	20	748 410 106	749 410 106	
32	1	25	748 410 151	749 410 151	
40	1 1/4	32	748 410 062	749 410 062	
50	1 1/2	40	748 410 003	749 410 003	
63	2	50	748 410 231	749 410 231	

Spare parts

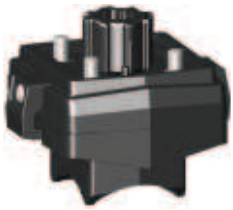


Seal set

Model:

- Seal set consisting of: backing-, body-, face- and stem seal (8-11)

d [mm]	Inch	DN [mm]	EPDM Code	FPM Code
16	3/8	10	161 486 400	161 486 410
20	1/2	15	161 486 400	161 486 410
25	3/4	20	161 486 401	161 486 411
32	1	25	161 486 402	161 486 412
40	1 1/4	32	161 486 403	161 486 413
50	1 1/2	40	161 486 404	161 486 414
63	2	50	161 486 405	161 486 415



Assembly kit

Model:

- Intermediate element for ball valve type 543 vertical and electric or pneumatic actuators EA21; PA11/21
- Including screws and position indicator for actuators

d [mm]	Inch [inch]	DN [mm]	Code
16 - 20	3/8 - 1/2	10 - 15	167 484 945
25 - 32	3/4 - 1	20 - 25	167 484 946
40 - 50	1 1/4 - 1 1/2	32 - 40	167 484 947
63	2	50	167 484 948

Spare parts

Spare parts ball valve type 543 horizontal



Central part L-port

Model:

- Every connecting pieces and union nuts are listed on product range industry valves
- Ball seals standard in PTFE
- Central part consisting of: body (1), union bush (2), ball (5), stem (6), ball-, backing-, body-, face- and stem seal (7-11), standard lever (12) and threaded inserts stainless steel (14)

d [mm]	Inch	DN [mm]	PVC-U EPDM Code	PVC-U FPM Code	PVC-C EPDM Code	PVC-C FPM Code	ABS EPDM Code	
16	3/8	10	161 488 002	161 488 012	163 481 902	163 481 912	169 481 202	
20	1/2	15	161 488 002	161 488 012	163 481 902	163 481 912	169 481 202	
25	3/4	20	161 488 003	161 488 013	163 481 903	163 481 913	169 481 203	
32	1	25	161 488 004	161 488 014	163 481 904	163 481 914	169 481 204	
40	1 1/4	32	161 488 005	161 488 015	163 481 905	163 481 915	169 481 205	
50	1 1/2	40	161 488 006	161 488 016	163 481 906	163 481 916	169 481 206	
63	2	50	161 488 007	161 488 017	163 481 907	163 481 917	169 481 207	

d [mm]	Inch	DN [mm]	PP-H EPDM Code	PP-H FPM Code	PVDF FPM Code	
16	3/8	10	167 484 802	167 484 812	175 483 602	
20	1/2	15	167 484 802	167 484 812	175 483 602	
25	3/4	20	167 484 803	167 484 813	175 483 603	
32	1	25	167 484 804	167 484 814	175 483 604	
40	1 1/4	32	167 484 805	167 484 815	175 483 605	
50	1 1/2	40	167 484 806	167 484 816	175 483 606	
63	2	50	167 484 807	167 484 817	175 483 607	

Spare parts



Central part T-port

Model:

- Ball seals standard in PTFE
- Central part consisting of: body (1), union bush (2), ball (5), stem (6), ball-, backing-, body-, face- and stem seal (7-11), standard lever (12) and threaded inserts stainless steel (14)

d [mm]	Inch	DN [mm]	PVC-U EPDM Code	PVC-U FPM Code	PVC-C EPDM Code	PVC-C FPM Code	ABS EPDM Code
16	3/8	10	161 488 022	161 488 032	163 481 922	163 481 932	169 481 212
20	1/2	15	161 488 022	161 488 032	163 481 922	163 481 932	169 481 212
25	3/4	20	161 488 023	161 488 033	163 481 923	163 481 933	169 481 213
32	1	25	161 488 024	161 488 034	163 481 924	163 481 934	169 481 214
40	1 1/4	32	161 488 025	161 488 035	163 481 925	163 481 935	169 481 215
50	1 1/2	40	161 488 026	161 488 036	163 481 926	163 481 936	169 481 216
63	2	50	161 488 027	161 488 037	163 481 927	163 481 937	169 481 217

d [mm]	Inch	DN [mm]	PP-H EPDM Code	PP-H FPM Code	PVDF FPM Code
16	3/8	10	167 484 822	167 484 832	175 483 612
20	1/2	15	167 484 822	167 484 832	175 483 612
25	3/4	20	167 484 823	167 484 833	175 483 613
32	1	25	167 484 824	167 484 834	175 483 614
40	1 1/4	32	167 484 825	167 484 835	175 483 615
50	1 1/2	40	167 484 826	167 484 836	175 483 616
63	2	50	167 484 827	167 484 837	175 483 617



Ball set L-port

Model:

- Ball seals standard in PTFE
- Ball set consisting of: lever (12), ball (5), stem (6), ball-, backing-, body- and stem seal (7-9,11)

d [mm]	Inch	DN [mm]	PVC-U EPDM Code	PVC-U FPM Code	PVC-C EPDM Code	PVC-C FPM Code	ABS EPDM Code
16	3/8	10	161 488 162	161 488 172	163 481 982	163 481 992	169 481 282
20	1/2	15	161 488 162	161 488 172	163 481 982	163 481 992	169 481 282
25	3/4	20	161 488 163	161 488 173	163 481 983	163 481 993	169 481 283
32	1	25	161 488 164	161 488 174	163 481 984	163 481 994	169 481 284
40	1 1/4	32	161 488 165	161 488 175	163 481 985	163 481 995	169 481 285
50	1 1/2	40	161 488 166	161 488 176	163 481 986	163 481 996	169 481 286
63	2	50	161 488 167	161 488 177	163 481 987	163 481 997	169 481 287

d [mm]	Inch	DN [mm]	PP-H EPDM Code	PP-H FPM Code	PVDF FPM Code
16	3/8	10	167 484 882	167 484 892	175 483 642
20	1/2	15	167 484 882	167 484 892	175 483 642
25	3/4	20	167 484 883	167 484 893	175 483 643
32	1	25	167 484 884	167 484 894	175 483 644
40	1 1/4	32	167 484 885	167 484 895	175 483 645
50	1 1/2	40	167 484 886	167 484 896	175 483 646
63	2	50	167 484 887	167 484 897	175 483 647

Spare parts

Ball set T-port

Model:

- Ball seals standard in PTFE
- Ball set consisting of: lever (12), ball (5), stem (6), ball-, backing-, body- and stem seal (7-9,11)



d [mm]	Inch	DN [mm]	PVC-U EPDM Code	PVC-U FPM Code	PVC-C EPDM Code	PVC-C FPM Code	ABS EPDM Code
16	3/8	10	161 488 182	161 488 192	163 482 002	163 482 012	169 481 292
20	1/2	15	161 488 182	161 488 192	163 482 002	163 482 012	169 481 292
25	3/4	20	161 488 183	161 488 193	163 482 003	163 482 013	169 481 293
32	1	25	161 488 184	161 488 194	163 482 004	163 482 014	169 481 294
40	1 1/4	32	161 488 185	161 488 195	163 482 005	163 482 015	169 481 295
50	1 1/2	40	161 488 186	161 488 196	163 482 006	163 482 016	169 481 296
63	2	50	161 488 187	161 488 197	163 482 007	163 482 017	169 481 297

d [mm]	Inch	DN [mm]	PP-H EPDM Code	PP-H FPM Code	PVDF FPM Code
16	3/8	10	167 484 902	167 484 912	175 483 652
20	1/2	15	167 484 902	167 484 912	175 483 652
25	3/4	20	167 484 903	167 484 913	175 483 653
32	1	25	167 484 904	167 484 914	175 483 654
40	1 1/4	32	167 484 905	167 484 915	175 483 655
50	1 1/2	40	167 484 906	167 484 916	175 483 656
63	2	50	167 484 907	167 484 917	175 483 657

Lever



d [mm]	Inch	DN [mm]	Standard lever L-port red Code	Standard lever L-port black Code	Standard lever T-port red Code	Standard lever T-port black Code
16	3/8	10	167 484 488	167 484 376	167 484 588	167 484 576
20	1/2	15	167 484 488	167 484 376	167 484 588	167 484 576
25	3/4	20	167 484 489	167 484 377	167 484 589	167 484 577
32	1	25	167 484 490	167 484 378	167 484 590	167 484 578
40	1 1/4	32	167 484 491	167 484 379	167 484 591	167 484 579
50	1 1/2	40	167 484 492	167 484 380	167 484 592	167 484 580
63	2	50	167 484 493	167 484 381	167 484 593	167 484 581

d [mm]	Inch	DN [mm]	Multifunctional- lever L-port red Code	Multifunctional- lever T-port red Code
16	3/8	10	167 484 442	167 484 542
20	1/2	15	167 484 442	167 484 542
25	3/4	20	167 484 443	167 484 543
32	1	25	167 484 444	167 484 544
40	1 1/4	32	167 484 445	167 484 545
50	1 1/2	40	167 484 446	167 484 546
63	2	50	167 484 447	167 484 547

Face seal



d [mm]	Inch	DN [mm]	EPDM Code	FPM Code
16	3/8	10	748 410 059	749 410 059
20	1/2	15	748 410 059	749 410 059
25	3/4	20	748 410 106	749 410 106
32	1	25	748 410 151	749 410 151
40	1 1/4	32	748 410 062	749 410 062
50	1 1/2	40	748 410 003	749 410 003
63	2	50	748 410 231	749 410 231

Spare parts



Seal set

Model:

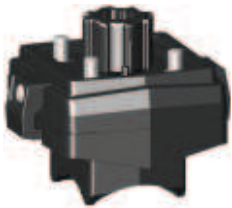
- Seal set consisting of: backing-, body-, face- and stem seal (8-11)

d [mm]	Inch	DN [mm]	EPDM Code	FPM Code
16	3/8	10	161 488 242	161 488 248
20	1/2	15	161 488 242	161 488 248
25	3/4	20	161 488 243	161 488 249
32	1	25	161 488 244	161 488 250
40	1 1/4	32	161 488 245	161 488 251
50	1 1/2	40	161 488 246	161 488 252
63	2	50	161 488 247	161 488 253



Turn limiter 90°

d [mm]	Inch	DN [mm]	Code
16	3/8	10	167 482 479
20	1/2	15	167 482 479
25	3/4	20	167 482 480
32	1	25	167 482 480
40	1 1/4	32	167 482 481
50	1 1/2	40	167 482 481
63	2	50	167 482 482



Assembly kit

Model:

- Intermediate element for ball valve type 543 horizontal and electric or pneumatic actuators EA21; PA11/21
- Including screws and position indicator for actuators

d [mm]	Inch [inch]	DN [mm]	Code
16 - 20	3/8 - 1/2	10 - 15	167 484 941
25 - 32	3/4 - 1	20 - 25	167 484 942
40 - 50	1 1/4 - 1 1/2	32 - 40	167 484 943
63	2	50	167 484 944